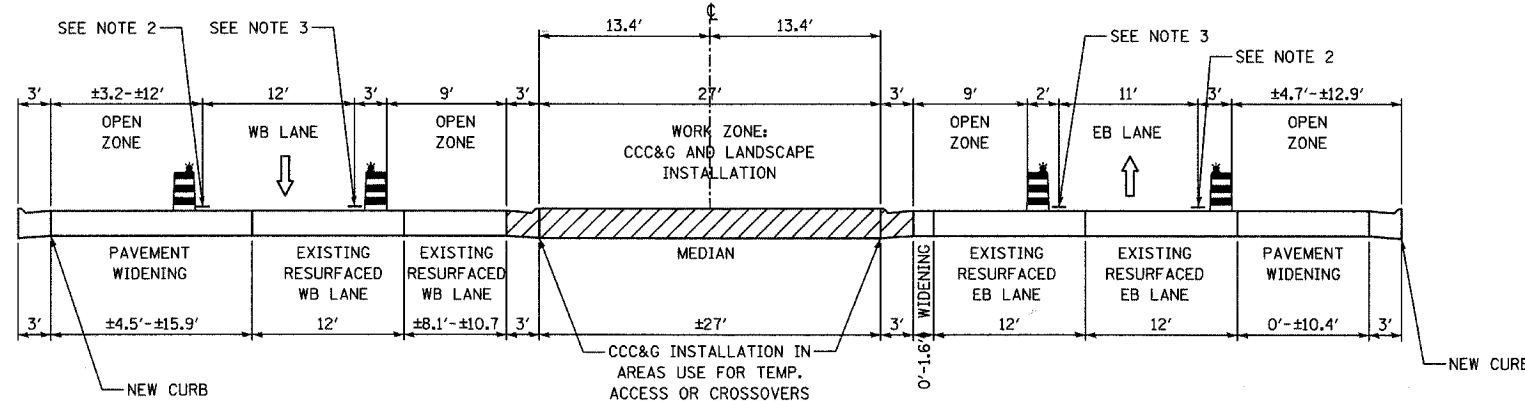
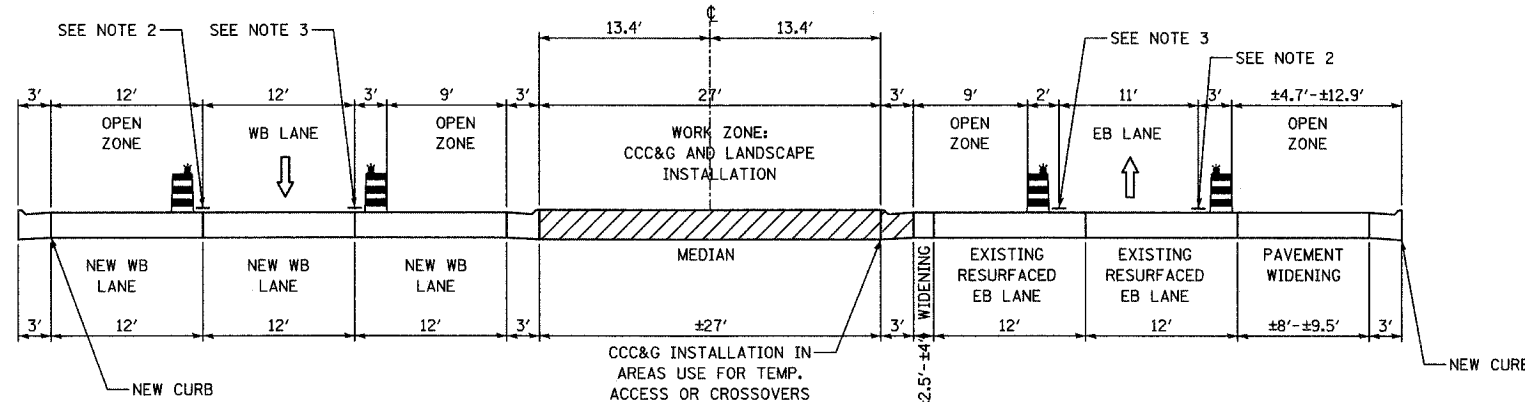


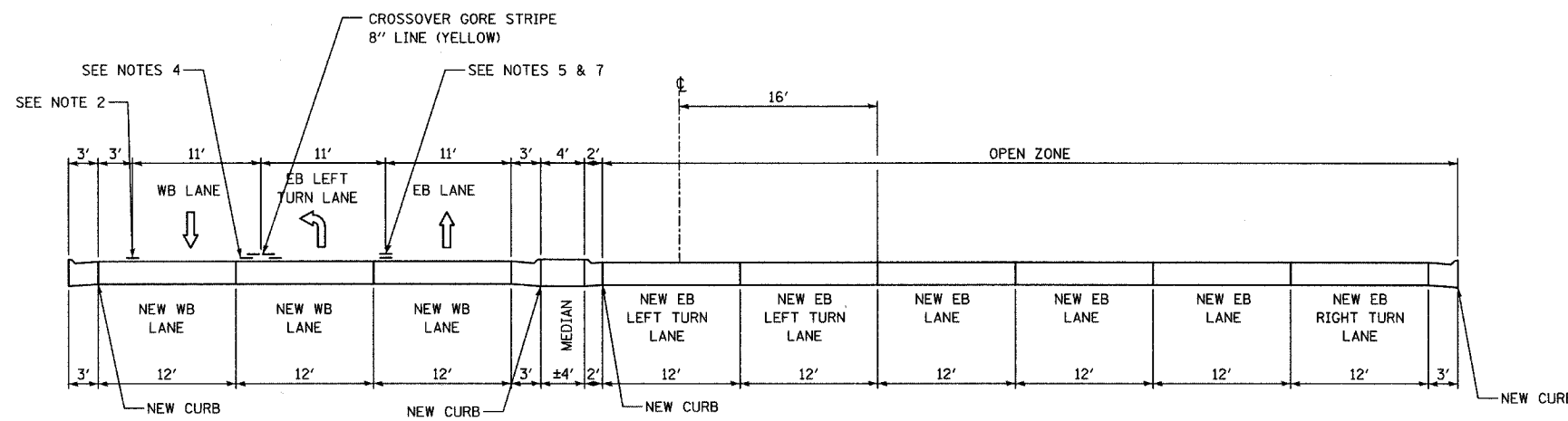
F.A.U. RTE.	SECTION	COUNTY	TOTAL SHEETS	SHEET NO.
2552	00-00114-00-PV	DUPAGE	563	77
STA.	TO STA.			
FED. ROAD DIST. NO.	ILLINOIS	FED. AID PROJECT		
CONTRACT NO. 63024				



**MM-MM**  
 STAGE 2A: W. 75TH STREET; STA. 130+50 TO STA. 134+30



**NN-NN**  
 STAGE 2A: W. 75TH STREET; STA. 135+50 TO STA. 141+00



**OO-OO**  
 STAGE 2A: W. 75TH STREET; STA. 145+77 TO STA. 147+50

- NOTE 1 - EXISTING PAVEMENT MARKING
- NOTE 2 - TEMPORARY PAVEMENT MARKING- LINE 4" (WHITE)
- NOTE 3 - TEMPORARY PAVEMENT MARKING- LINE 4" (YELLOW)
- NOTE 4 - TEMPORARY PAVEMENT MARKING- DOUBLE 4" (YELLOW), 11" CENTER TO CENTER
- NOTE 5 - TEMPORARY PAVEMENT MARKING- SKIP-DASH 4" (WHITE), 2' LINE WITH 30' SPACE
- NOTE 6 - TEMPORARY PAVEMENT MARKING- LINE 8" (WHITE)
- NOTE 7 - TEMPORARY PAVEMENT MARKING- LINE 6" (WHITE)
- NOTE 8 - TEMPORARY PAVEMENT MARKING- ON BARRIER WALL- LINE 6" (WHITE)
- NOTE 9 - TEMPORARY PAVEMENT MARKING- SKIP-DASH 4" (WHITE) 10' LINE WITH 30' SPACE
- NOTE 10 - TEMPORARY PAVEMENT MARKING- ON BARRIER WALL- LINE 6" (YELLOW)

**LEGEND:**

- TEMPORARY CONCRETE BARRIER (WITH REFLECTORS ON TOP AND SIDE FACING TRAFFIC)
- TRAFFIC MOVEMENT
- DRUM WITH MONO-DIRECTIONAL STEADY BURNING LIGHT
- TYPE II BARRICADE WITH MONO-DIRECTIONAL STEADY BURNING LIGHT
- WORK ZONE AREA
- TEMPORARY PAVEMENT

• ALL MOT TYPICAL SECTIONS ARE DRAWN GOING UP-STATION  
 •• DOUBLE YELLOW ONLY APPLIED ADJACENT TO MEDIAN - SEE PLANS FOR ADDITIONAL DETAIL

REVISIONS	
NAME	DATE

INTERSECTION IMPROVEMENT  
 WASHINGTON STREET - 75th STREET  
 MAINTENANCE OF TRAFFIC  
 TYPICAL SECTIONS  
 SHEET 9 OF 13

CONSULTANT  
**TYLIN INTERNATIONAL**

City of **Naperville**

DRAWN: \_\_\_\_\_ SHEET NO. \_\_\_\_\_  
 CHECKED: \_\_\_\_\_  
 APPROVED: \_\_\_\_\_  
 DATE: APRIL 11, 2008  
 SCALE: \_\_\_\_\_  
 JOB NO.: P-91-494-00 PROJECT NO.: M-CMM-7003 (985)

D:\602417\000075\mml\asst03.dgn 10:26:40 AM 4/11/2008