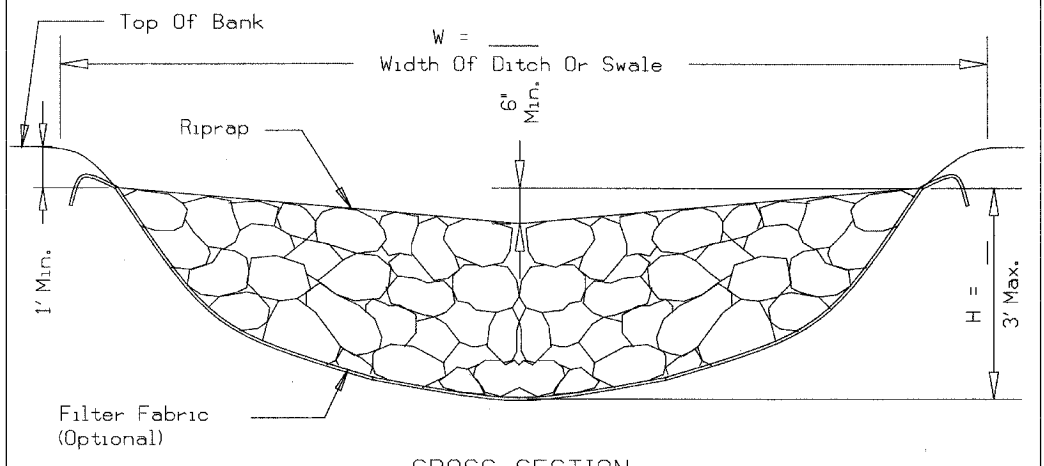
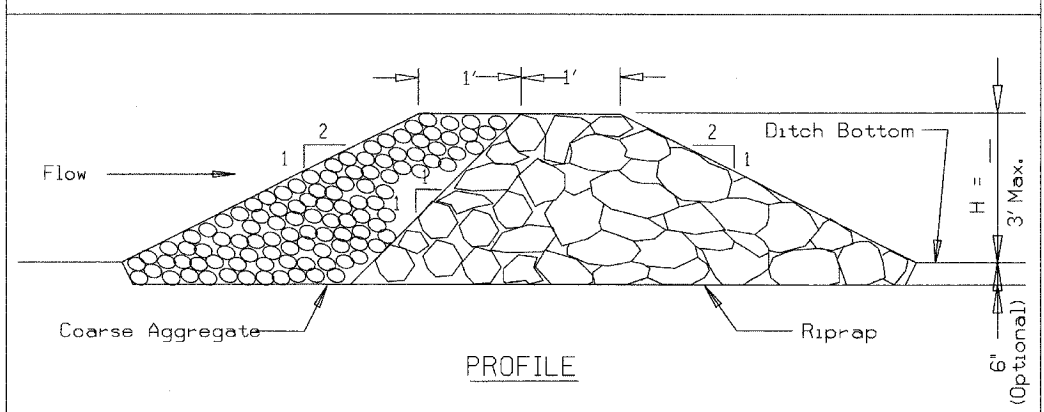


F.A.A. RTE.	SECTION	COUNTY	TOTAL SHEETS	SHEET NO.
2552	00-00114-00-PV	DUPAGE	563	116A
STA.	TO STA.			
FED. ROAD DIST. NO.	ILLINOIS	FED. AID PROJECT		
CONTRACT NO. 63024				

ROCK CHECK DAM - RIPRAP



NOTES:

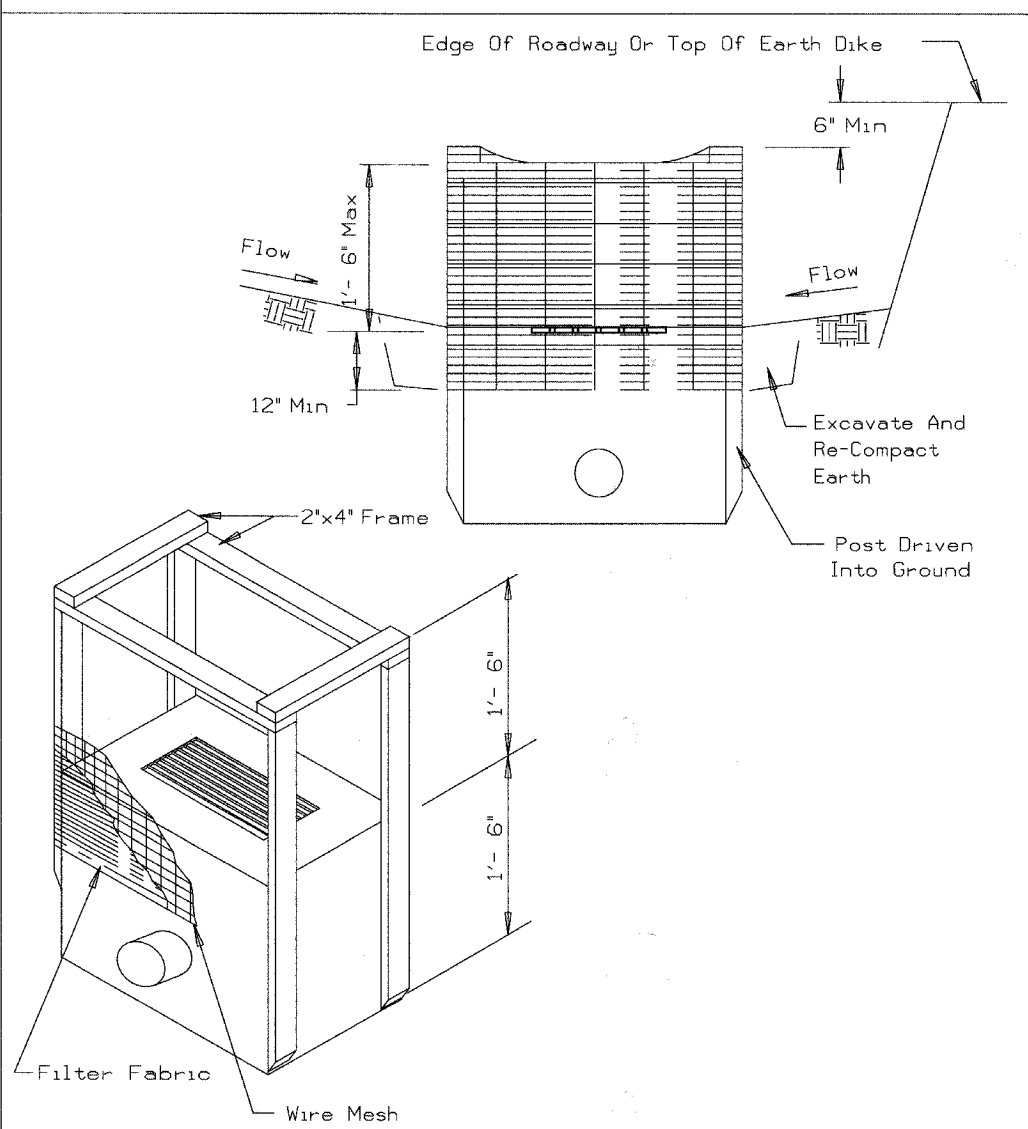
1. Filter fabric shall meet the requirements of material specification 592 GEOTEXTILE, Table 1 or 2, Class I, II, or IV and shall be placed over the cleared area prior to the placing of rock.
2. Coarse aggregate shall meet one of the following IDOT gradations, CA-1, CA-2, CA-3, or CA-4.
3. Riprap shall meet IDOT gradation RR-3 or RR-4 and meet Quality Designation A.
4. Coarse aggregate and riprap shall be placed according to construction specification 25 ROCKFILL using placement Method 1 and Class III compaction.
5. For added stability, the base of the dam may be keyed 6 inches into the soil.
6. See plans for spacing of dams and H dimensions.
7. Maximum drainage area to each dam is 10 acres.
8. ROCK CHECK DAM-COARSE AGGREGATE IL-605CA may be used for drainage areas under 2 acres.

REFERENCE	Project _____	Date _____
	Designed _____	Date _____
	Checked _____	Date _____
	Approved _____	Date _____



STANDARD DWG. NO.
IL-605R
SHEET 1 OF 1
DATE 1-29-99

INLET PROTECTION - FABRIC DROP PLAN



NOTES:

1. Filter fabric shall meet the requirement of material specification 592 GEOTEXTILE table 1 or 2, class , with an EOS of at least 30 for nonwoven and 50 for woven.
2. The wire mesh shall have a maximum opening of at least 6 inches.
3. Limit drainage area to the inlet protection to 1 acre.

REFERENCE	Project _____	Date _____
	Designed _____	Date _____
	Checked _____	Date _____
	Approved _____	Date _____



STANDARD DWG. NO.
IL-560
SHEET 1 OF 1
DATE 6-29-93

REVISIONS	
NAME	DATE

INTERSECTION IMPROVEMENT
WASHINGTON STREET - 75th STREET
EROSION CONTROL
GENERAL NOTES AND DETAILS
SHEET 2 OF 2

CONSULTANT
TYLIN INTERNATIONAL

City of **Naperville**

DRAWN: _____	SHEET NO. _____
CHECKED: _____	
APPROVED: _____	
DATE: APRIL 11, 2008	
SCALE: NONE	
JOB NO.: P-91-494-00	PROJECT NO.: M-CMM-7003 (985)

4/11/2008 10:33:36 AM