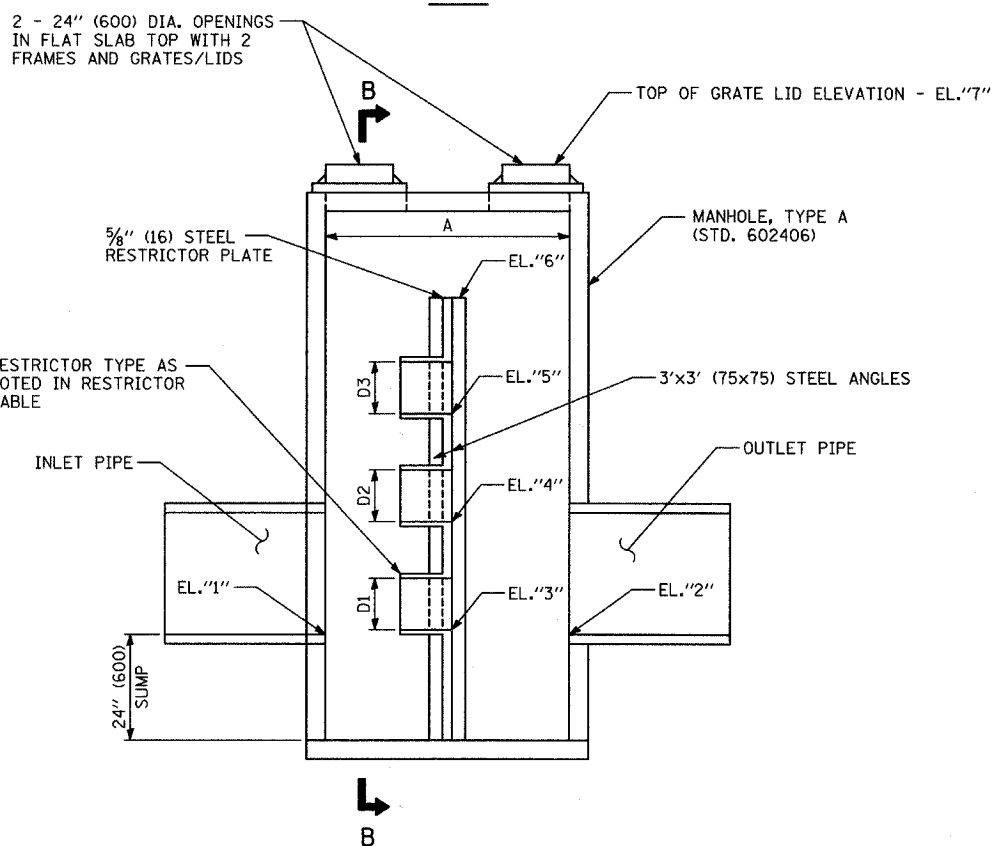
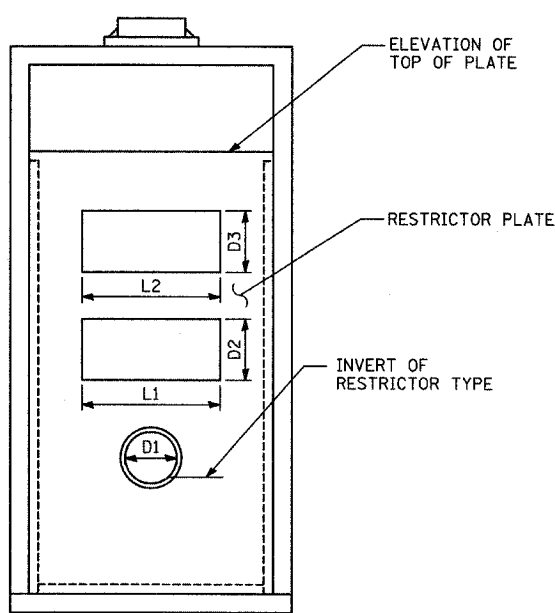


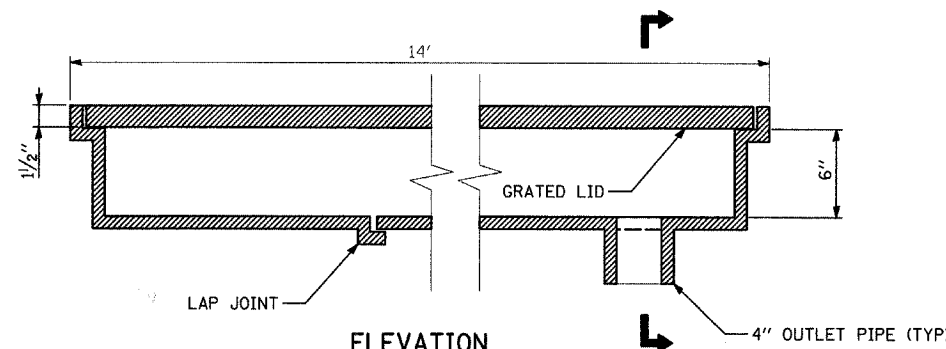
**PLAN**



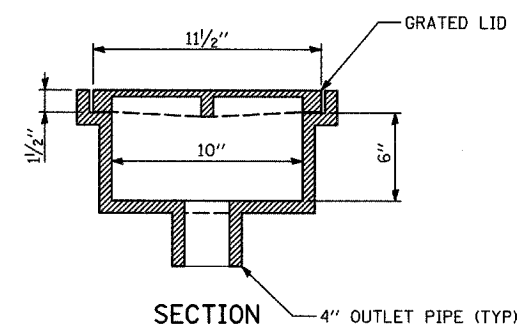
**SECTION A-A**



**SECTION B-B**



**ELEVATION**



**SECTION**

**TRENCH DRAIN NOTES:**

- TRENCH DRAINS SHALL BE NEENAH FOUNRY NO. R-4996-A1 OR APPROVED EQUIVALENT.
- TRENCH DRAIN GRATES SHALL BE NEENAH FOUNRY TYPE Q OR APPROVED EQUIVALENT APPROPRIATE FOR USE ON A PEDESTRIAN/BICYCLE FACILITY.
- THE TRENCH DRAIN, GRATE, AND INSTALLATION SHALL BE PAID FOR AT THE CONTRACT PRICE FOR "TRENCH DRAINS".
- TRENCH DRAINS ARE TO BE CONNECTED TO THE ADJACENT 12" STORM SEWER. ANY ADDITIONAL PIPE LENGTH, COUPLERS, OR ANY OTHER MATERIALS NECESSARY TO MAKE THE CONNECTION SHALL NOT BE PAID FOR SEPARATELY, BUT SHALL BE INCLUDED IN THE COST OF THE TRENCH DRAINS.

**TRENCH DRAIN DETAIL**

**RESTRICTOR-PLATE MANHOLE SCHEDULE**

STRUCTURE NUMBER	STATION	OFFSET	RESTRICTOR TYPE	FRAME & GRATE	DIMENSIONS						ELEVATIONS (FT)						
					A (FT)	D1 (IN)	D2 (IN)	D3 (IN)	L1 (IN)	L2 (IN)	1	2	3	4	5	6	7
16	431+74.34	32.77 LT	2	T1F CL	6	16	-	-	-	-	660.82	660.82	660.82	-	-	665.39	667.50
222	441+31.49	29.32 RT	2	T1F CL	6	13	1	5	47 <sup>7</sup> / <sub>32</sub>	55 <sup>5</sup> / <sub>16</sub>	657.02	657.02	657.02	659.66	659.96	660.94	663.00
240	701+45.76	38.07 RT	2	T1F CL	6	8	1	3	14 <sup>3</sup> / <sub>16</sub>	17	654.87	654.87	654.87	658.10	658.63	659.20	663.78
415	467+35.81	31.36 LT	2	T1F CL	8	12	1	12 <sup>7</sup> / <sub>16</sub>	68 <sup>3</sup> / <sub>16</sub>	68 <sup>3</sup> / <sub>16</sub>	649.52	649.50	649.52	654.29	654.53	655.73	656.50
620	148+91.58	133.69 LT	2	T1F CL	8	24	8 <sup>7</sup> / <sub>16</sub>	9	43 <sup>7</sup> / <sub>16</sub>	45 <sup>7</sup> / <sub>16</sub>	661.82	661.82	661.82	659.05	659.92	626.16	664.00
636	152+69.53	89.15 RT	2	T1F CL	6	8	1	1	14 <sup>3</sup> / <sub>16</sub>	25 <sup>3</sup> / <sub>16</sub>	652.19	652.19	652.19	657.81	658.33	659.93	664.00
665	152+46.32	66.50 LT	2	T1F CL	6	8	1	3	14 <sup>3</sup> / <sub>16</sub>	30 <sup>3</sup> / <sub>16</sub>	652.42	652.42	652.42	655.68	656.21	658.16	664.00

<b>REVISIONS</b> NAME      DATE		INTERSECTION IMPROVEMENT WASHINGTON STREET - 75th STREET  <b>DRAINAGE DETAILS          RESTRICTOR MANHOLES          AND TRENCH DRAINS</b>	City of
			DRAWN: NSB CHECKED: APPROVED: DATE: APRIL 11, 2008 SCALE: NONE
			CONSULTANT <b>TYLIN INTERNATIONAL</b>
			SHEET NO.
			JOB NO.: P-91-494-00      PROJECT NO.: M-CMM-7003 (985)