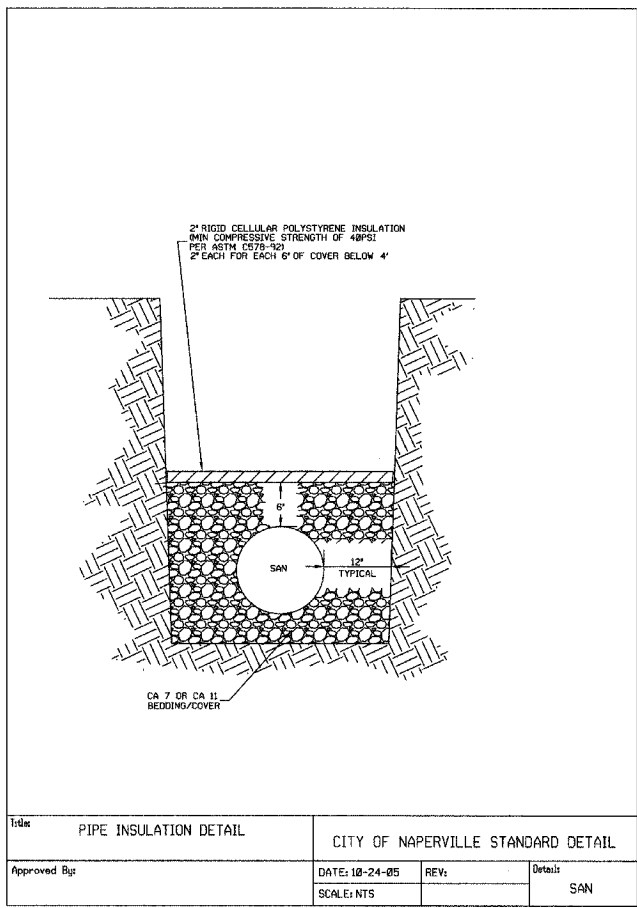
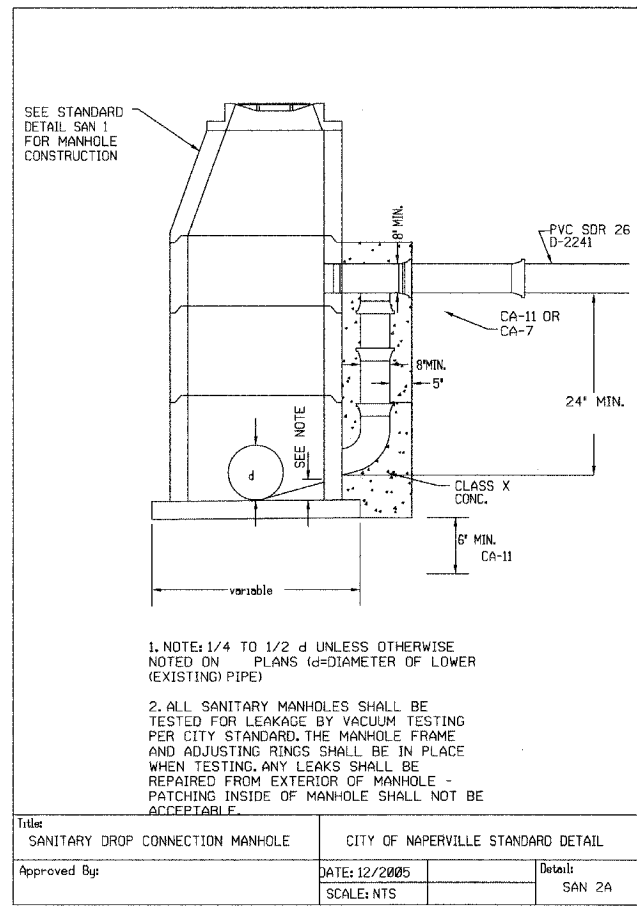
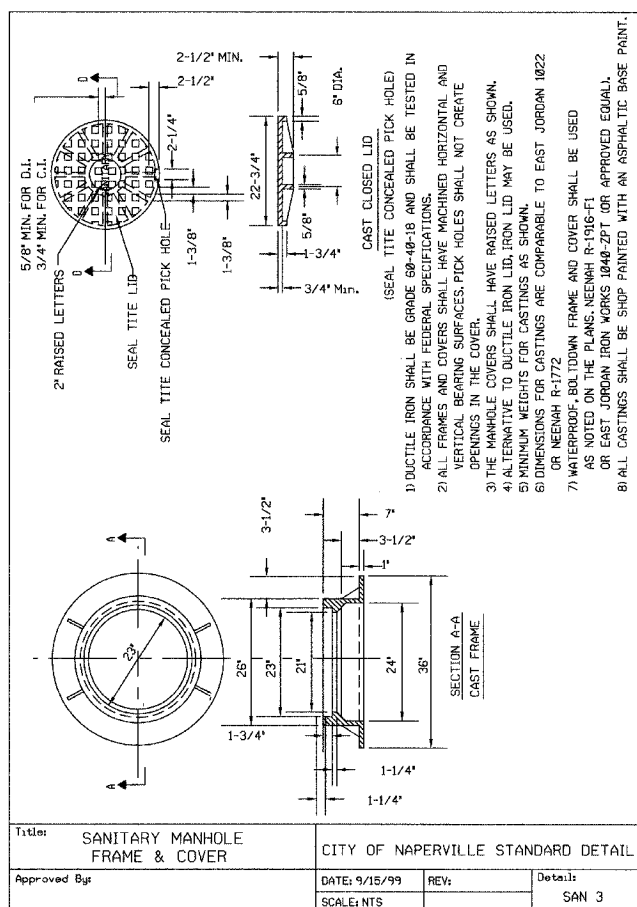
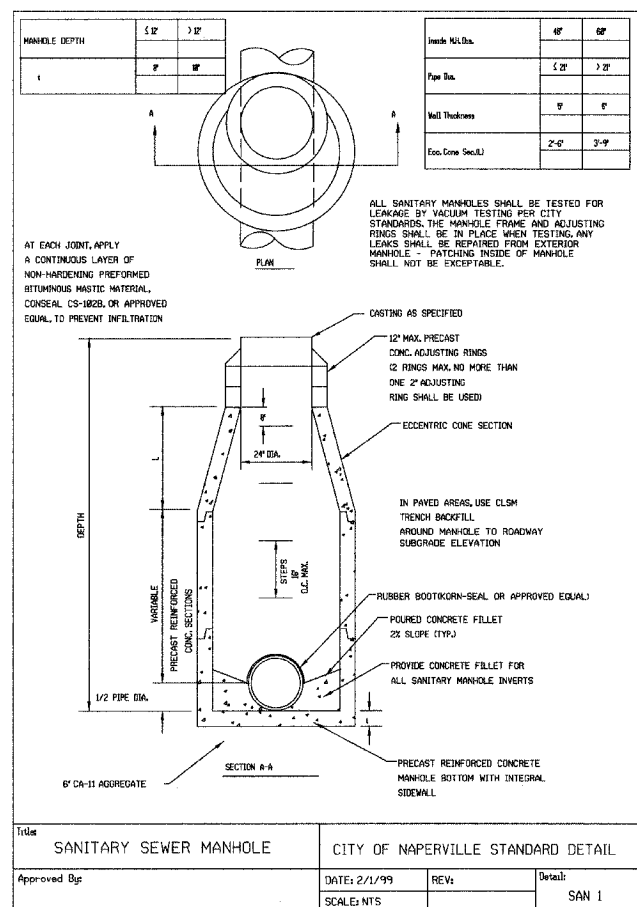


F.A.U. RT#	SECTION	COUNTY	TOTAL SHEETS	SHEET NO.
2552	00-00114-00-PV	DuPAGE	563	150
STA.	TO STA.			
FED. ROAD DIST. NO.	ILLINOIS	FED. AID PROJECT		
CONTRACT NO. 63024				



REVISIONS NAME DATE	INTERSECTION IMPROVEMENT WASHINGTON STREET - 75th STREET CITY OF NAPERVILLE PUBLIC UTILITIES STANDARD DETAILS SHEET 2 OF 2		City of Naperville	
			DRAWN: _____ SHEET NO. _____	
			CHECKED: _____	
			APPROVED: _____	
			DATE: APRIL 11, 2008	
SCALE: _____		CONSULTANT TYLIN INTERNATIONAL		
JOB NO.: P-91-494-00		PROJECT NO.: M-CMM-7003 (985)		

P:\60241\road\swater\del2.dgn 4/11/2008 10:44:38 AM