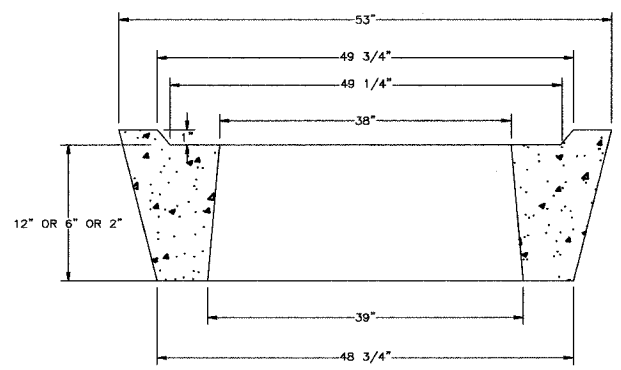
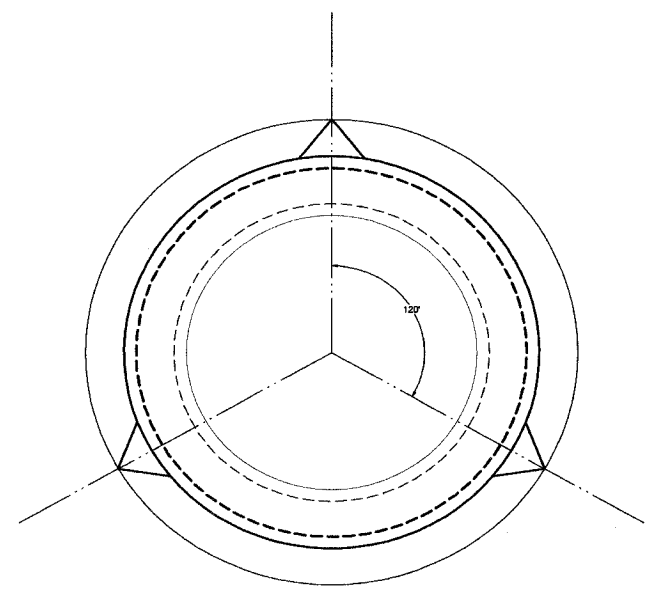
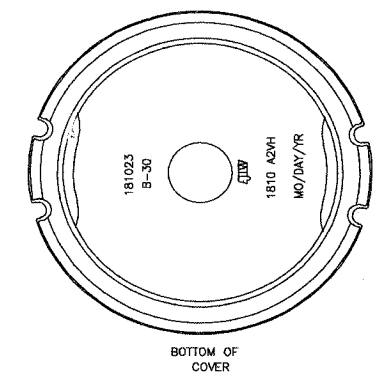
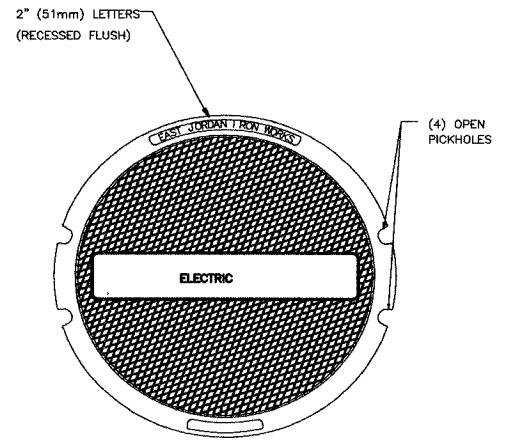


F.A. RTE. 2552	SECTION	COUNTY	TOTAL SHEETS	SHEET NO.
	00-0014-00-PV	DUPAGE	563	274
STA.		TO STA.		
FED. ROAD DIST. NO.		ILLINOIS	FED. AID PROJECT	
CONTRACT 63024				

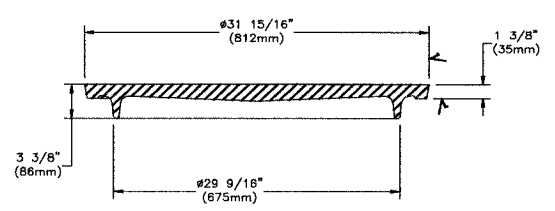


- NOTES:
1. CONCRETE 4500 PSI AT 28 DAYS
  2. EACH ADJUSTING RING SHALL COME WITH 14 FEET OF 1" INCH DIAMETER JOINT SEALANT TAPE.

**MANHOLE  
ADJUSTING RING**



BOTTOM OF COVER



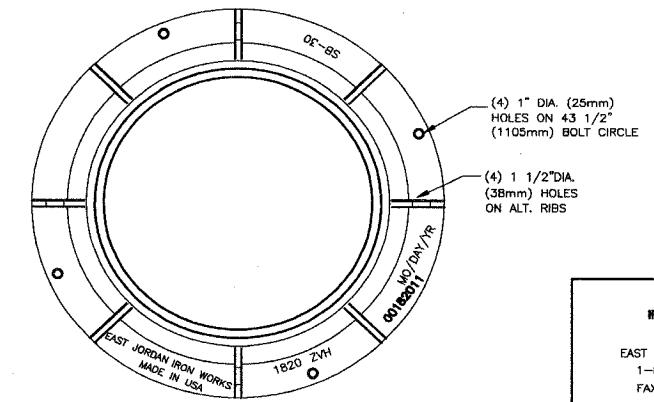
EAST JORDAN  
IRON WORKS, INC.  
P.O. BOX 439  
EAST JORDAN, MI. 49727  
1-800-874-4100  
FAX 231-536-4458

EST. WT.

COVER: 295 LBS 134kg

✓ MACHINED SURFACE

**COVER SECTION**

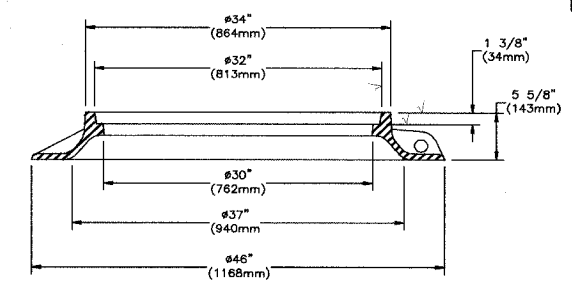


- (4) 1" DIA (25mm) HOLES ON 43 1/2" (1105mm) BOLT CIRCLE
- (4) 1 1/2" DIA (38mm) HOLES ON ALT. RIBS

EAST JORDAN  
IRON WORKS, INC.  
P.O. BOX 439  
EAST JORDAN, MI. 49727  
1-800-874-4100  
FAX 231-536-4458

EST. WT.

FRAME: 295 LBS 134kg



✓ MACHINED SURFACE

**FRAME SECTION**

- NOTES:
- 1) CONTRACTOR IS ADVISED THE MANHOLE AS SUPPLIED FROM UTILITY CONCRETE PRODUCTS (UCP). IS SHIPPED WITH 4-12" ADJUSTING RING ONLY.
  - 2) CONTRACTOR IS ADVISED THAT 2" AND 6" ADJUSTING RINGS ARE AVAILABLE FROM THE CITY, IF REQUESTED BY THE CONTRACTOR. CONTRACTOR TO PICK UP AND IS INCIDENTAL TO THE CONTRACT.
  - 3) COVERS AND FRAME SECTIONS ARE TO BE PICKED UP AT THE CITY STORAGE YARD AND IS INCIDENTAL TO THE CONTRACT.

WF# INFORMATION		CITY OF NAPERVILLE/DEPARTMENT OF PUBLIC UTILITIES - ELECTRIC			
WF# 59481 WASHINGTON ST. 75TH TO OLYMPUS DR. EAST SIDE	JOB 1 EU-73	PROJECT TITLE 75TH ST. AND WASHINGTON ST. ROAD IMPROVEMENTS		MAP NO.:	CAD FILE:
WF# 59482 75TH WASHINGTON ST. TO OLYMPUS DR. NORTH SIDE	JOB 2 EU-73	PROJECT DESCRIPTION TRENCH SECTION DETAILS		DRAWN BY: JK, PM	PROJECT NO.:
WF# 59484 75TH WASHINGTON ST. TO CLYDE DR. SOUTH SIDE	JOB 3 EU-73	DATE 4-01-08	ISSUED	WORK REQUEST NO.:	CRKD:
WF# 59485 WASHINGTON ST. 75TH TO BAILEY RD. EAST SIDE	JOB 4 EU-73	ENGINEER RPS	REVISION	56270	APPR:
				SCALE: NTS	COMPLETED BY:
					SHEET 33 OF 73