

DEVTC: VAULT, 10 TRF/FUSE CAN

Item Code	Description 1	Description 2	TE	A	TC	PC	F	AB	M
284 100 00120	EXTENDER, 10 TRF VAULT	44"X44"X30" W/25"X25" OPEN	1						
284 101 00010	VAULT, AIR SWITCH	74"X76"X36" (FIBER-CRETE)							
284 101 00020	VAULT, 10 TRF/FUSE CAN	44"X44"X32" (FIBER-CRETE)							
284 101 00030	VAULT, 30 PLUG CAN	23"X69"X36" (FIBER-CRETE)							
284 101 00040	VAULT, 30 FUSE CAN	49"X69"X36" (FIBER-CRETE)							
281 101 00100	EXTENDER, AIR SWITCH VAULT	74"X76"X36" (FIBER-CRETE)							
NON	CA-6	CRUSHED LIMESTONE							
NON	VAULT, 12.47KV PRI. METERING	56" X56" X20" (FIBER-CRETE)							

DnBxxP: BEND, PVC

Assembly	Item Code	Description 1	Description 2	Qty
D3B30P	285 101 00025	ELBOW, PVC 30 DEG 3"	STANDARD RADIUS SCH 40	1
	285 101 00030	ELBOW, 30" R PVC 45 DEG 3"	SCH 40	1
	285 101 00040	ELBOW, 30" R PVC 90 DEG 3"	SCH 40	1
	285 101 00080	ELBOW, 30" R PVC 30 DEG 5"	SCH 40	1
	285 101 00090	ELBOW, 30" R PVC 45 DEG 5"	SCH 40	1
	285 101 00100	ELBOW, 30" R PVC 90 DEG 5"	SCH 40	1
D6B30P	285 101 00220	ELBOW, 40" R PVC 30 DEG 6"	SCH 40	1
	285 101 00230	ELBOW, 40" R PVC 45 DEG 6"	SCH 40	1
D6B90P	285 101 00240	ELBOW, 40" R PVC 90 DEG 6"	SCH 40	1

D3BxxS: BEND, 3" STEEL

Item Code	Description 1	Description 2	D3E90S	Qty
285 101 00140	ELBOW, 30" R STL 90 DEG 3"	GALVANIZED	1	
285 102 00040	COUPLING, PVC 3"	LONG LINE SCH 40	1	

D5BxxS: BEND, 5" STEEL

Item Code	Description 1	Description 2	D5B30S	D5B45S	D5B90S	Qty
285 101 00180	ELBOW, 36" R STL 30 DEG 5"	GALVANIZED				1
285 101 00170	ELBOW, 36" R STL 45 DEG 5"	GALVANIZED				1
285 101 00180	ELBOW, 36" R STL 90 DEG 5"	GALVANIZED				1
285 102 00110	COUPLING, PVC 5"	LONG LINE SCH 40	1	1	1	1

D6BxxS: BEND, 6" STEEL

Item Code	Description 1	Description 2	D6B11S	D6B22S	D6B30S	D6B45S	D6B90S	Qty
285 101 00186	ELBOW, 40" R STL 11 DEG 6"	GALVANIZED						1
285 101 00188	ELBOW, 40" R STL 22.5 DEG 6"	GALVANIZED						1
285 101 00190	ELBOW, 40" R STL 30 DEG 6"	GALVANIZED						1
285 101 00200	ELBOW, 40" R STL 45 DEG 6"	GALVANIZED						1
285 101 00210	ELBOW, 40" R STL 90 DEG 6"	GALVANIZED						1
285 102 00140	COUPLING, PVC 6"	LONG LINE SCH 40	1	1	1	1	1	1

DnF: BELL FITTING, PVC

Item Code	Description 1	Description 2	D3F	D5F	D6F	Qty
285 103 00040	BELL FITTING, PVC 3"	SCH 40 & SCH 80	1			
285 103 00080	BELL FITTING, PVC 5"	SCH 40 & SCH 80		1		
285 103 00100	BELL FITTING, PVC 6"	SCH 40 & SCH 80			1	

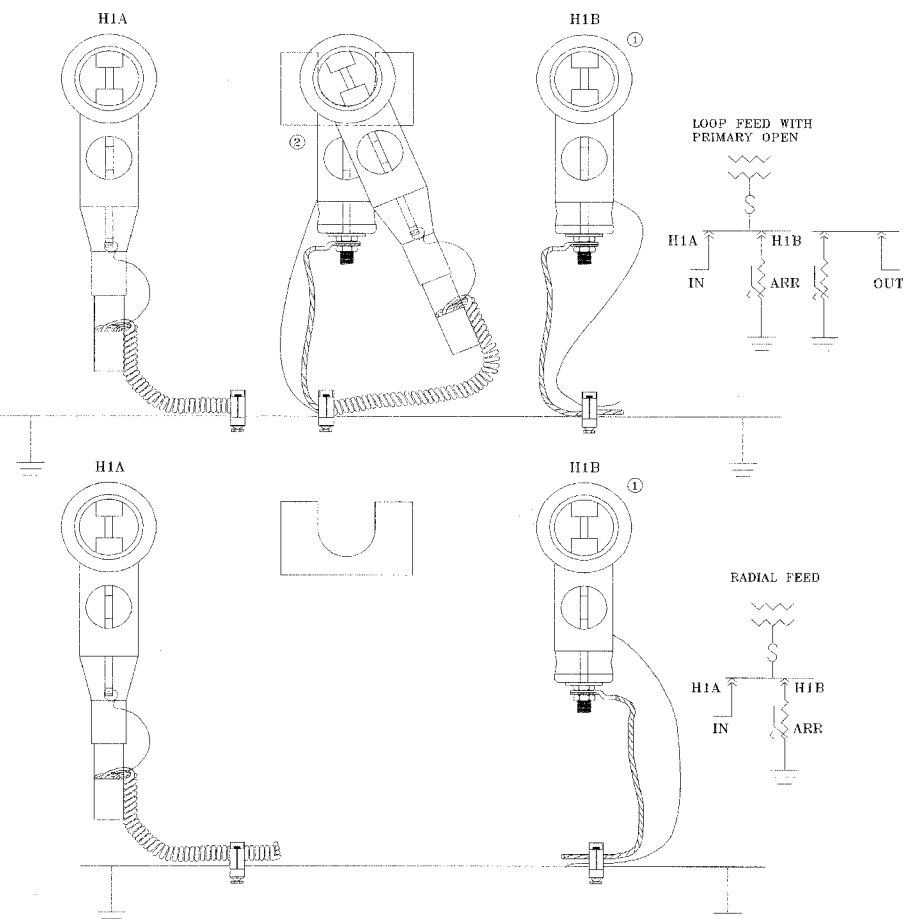
DnP: PLUG, PVC

Item Code	Description 1	Description 2	D3P	D5P	D6P	Qty
285 103 00030	PLUG, PVC 3"	WITH PULL TAB	1			
285 103 00070	PLUG, PVC 5"	WITH PULL TAB		1		
285 103 00090	PLUG, PVC 6"	WITH PULL TAB			1	

- NOTES:
- CONTRACTOR IS ADVISED THIS SPECIFICATION SHOWS AN EXISTING TRANSFORMER AND VAULT INSTALLATION. THIS IS WHAT IS STANDARD SO WHEN CONTRACTOR HAS TO INSTALL DUCTS INTO AN EXISTING LOCATION, THE CONTRACTOR CAN PLAN THE WORK.
 - WHEN A VAULT IS TO BE INSTALLED THE CONTRACTOR SHALL INSTALL THE VAULT, GROUNDING, EXCAVATION, BACKFILL AND RESTORATION TO THE ELEVATION IN THE GENERAL SPECIFICATION.

WF# INFORMATION		CITY OF NAPERVILLE/DEPARTMENT OF PUBLIC UTILITIES - ELECTRIC	
WF# 59481 WASHINGTON ST. 75TH TO OLYMPIUS DR. EAST SIDE	JOB 1 EU-73	CALL J.U.L.I.E. 48 HRS. PRIOR TO CONSTRUCTION	
WF# 59482 75TH WASHINGTON ST. TO OLYMPIUS DR. NORTH SIDE	JOB 2 EU-73	PROJECT TITLE 75TH ST. AND WASHINGTON ST. ROAD IMPROVEMENTS	MAP NO.: 3056270001D43.DWG
WF# 59484 75TH WASHINGTON ST. TO CLYDE DR. SOUTH SIDE	JOB 3 EU-73	PROJECT DESCRIPTION TRENCH SECTION DETAILS	DATE: 4-01
WF# 59485 WASHINGTON ST. 75TH TO BAILEY RD. EAST SIDE	JOB 4 EU-73	ISSUED ENGINEER RPS	WORK REQUEST NO. DRW: 56270
		APPROVED	SCALE: NTS
			SHEET 43 OF 73

CONFIGURATIONS FOR ELBOW ARRESTERS IN 10 DEAD FRONT PAD MOUNT TRANSFORMERS



- NOTES:
- ELBOW ARRESTER.
 - PARKING STAND ARRESTER.

U115n: FAULTED CIRCUIT INDICATOR

Item Code	Description 1	Description 2	Qty	U115	Qty
283 199 00210	GUARD, WIRE	SPIRAL	4	6	8
284 120 00010	FAULT INDICATOR, 1/0 - 4/0	15KV	1	3	-
284 120 00020	FAULT INDICATOR, 750 - 1000	15KV	-	-	3
284 120 00030	INDICATOR CABLE, 3 TO 1	10 FOOT	-	1	-
284 120 00040	INDICATOR CABLE, 1 TO 1	6 FOOT	1	-	-
284 120 00050	TIES, CABLE	SMALL	4	6	6
284 120 00080	CLIP	ADHESIVE BACKED	4	6	6

UNSnTn: CONNECTOR 10 SET SCREW

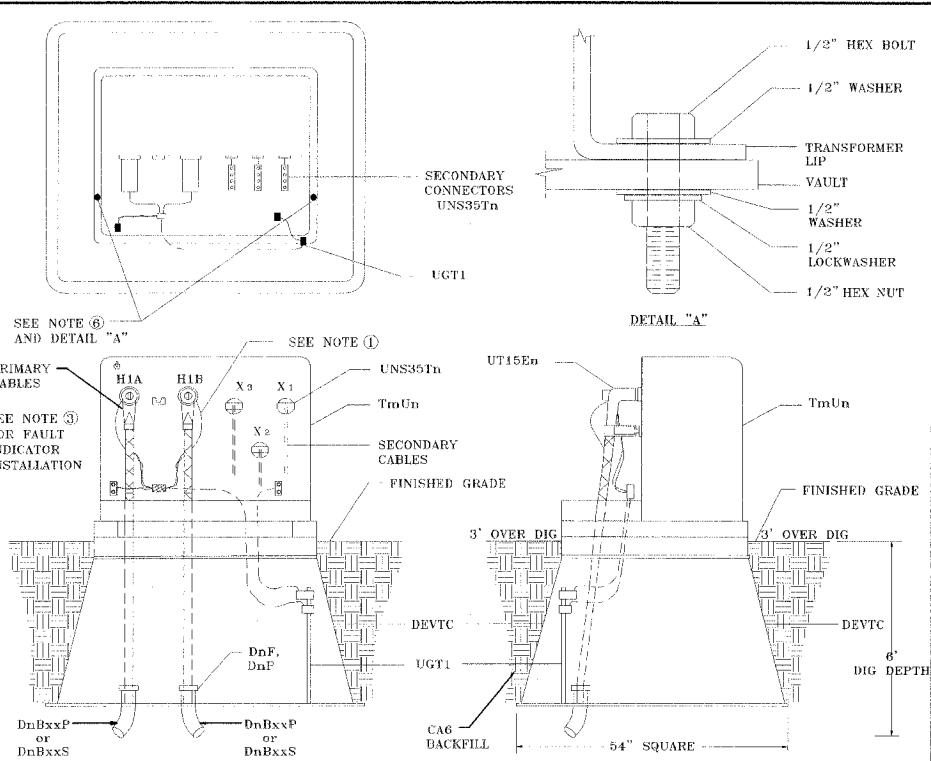
Assembly Code	Item Code	Description 1	Description 2	Qty
UN535Tn	286 199 00230	CONN, 5/8 STUD, 10-350	1PH TRF, 6 CONDUCTORS	1
UN50761	286 199 00235	CONN, 5/8 STUD, 6-500	1 PH TRF	1

UNSnTn: CONNECTOR 10 SET SCREW

Item Code	Description 1	Description 2	Qty	UT15A	UT15A3	Qty
284 118 00020	ARRESTER, ELBOW	9/10 kV	1			3
284 118 00030	ARRESTER, PARKING STAND	9/10 kV	1			3
284 118 00040	ARRESTER, BUSHING INSERT	9/10kV	1			3
286 199 00220	CONNECTOR, BREAKAWAY CU	1/0 - 4/0 STR	1	1	3	3

UT15E: ELBOW, 15KV

Item Code	Description 1	Description 2	Qty	UT15E	UT15EE	Qty
284 109 00010	FUSE, ELBOW 8KV	30A	1			
284 117 00020	ELBOW, FUSED 8.3KV 200A	1/0 STR AL 175-220 MIL	1			
284 117 00030	ELBOW, 15KV 200A	1/0 STR AL 175-220 MIL	1			
284 117 00040	ELBOW, 15KV 200A EXTENDED	1/0 STR AL 175-220 MIL	1			
284 117 00040	ELBOW, 15KV 200A EXTENDED	4/0 STR AL 175-220 MIL	1			
284 117 00041	ELBOW, 15KV 200A EXTENDED	4/0 STR AL 175-220 MIL	1			
284 117 00055	ELBOW, 15KV 600A. W/LRTP	750 MCM STR AL 175-220 MIL	1			
284 117 00066	ELBOW, 15KV 600A EXTENDED	750 MCM STR AL 175-220 MIL	1			
284 117 00095	ELBOW, 15KV 600A. W/LRTP	1000 MCM STR AL 175-220 MIL	1			
284 117 00096	ELBOW, 15KV 600A EXTENDED	1000 MCM STR AL 175-220 MIL	1			
284 117 00400	ELBOW, 15KV 600A	4/0 STR AL 175-220 MIL	1			
284 117 00430	KIT CABLE JACKET SEAL	1/0 4/0 (0.95" 1.60")	1	1	1	1
284 117 00440	KIT CABLE JACKET SEAL	250-1000 MCM (1.30"-2.67")	1	1	1	1
255 199 00100	CABLE CLEANER	QUARTS	.01	.01	.01	.01



- NOTES:
- ONE STRAND OF CONCENTRIC NEUTRAL FOR DRAIN WIRE.
 - SEE C30-0500 FOR 200A ELBOW STANDARD.
 - SEE C30-1010 FOR FAULT INDICATOR INSTALLATION. FAULT INDICATORS NOT REQUIRED FOR RADIAL TRANSFORMER INSTALLATION.
 - BENDS SHALL BE INSTALLED PER FIELD CONDITION.
 - SPACERS NOT SHOWN.
 - TRANSFORMER TO BE BOLTED TO VAULT IN TWO LOCATIONS. DRILL 9/16" HOLES IN VAULT. REFER TO TOP VIEW AND DETAIL "A".
 - ALLOW SUFFICIENT SLACK IN PRIMARY AND SECONDARY CABLES TO ACCOMMODATE SLIGHT VARIATIONS IN DUSHING HEIGHTS BETWEEN DIFFERENT TRANSFORMER SIZES AND MANUFACTURERS.
 - THIS DRAWING SHOWS AN EXISTING TRANSFORMER WITH CABLE INSTALLED WITH MATERIAL LIST ON RIGHT.
 - CONTRACTOR TO OBTAIN OUTAGE OF TRANSFORMER PRIOR TO DOING ANY WORK.
 - CONTRACTOR TO INSTALL 3", 5" AND 6" CONDUIT INTO EXISTING AS SPECIFIED IN SPECIFICATIONS. CAP AND PLUGS ALL CONDUITS.
 - ALL GROUNDING CONNECTIONS AND TERMINATORS SHALL BE INSPECTED TO DETERMINE CONDITION OF CONNECTIONS BY THE CONTRACTOR REPORT FINDING.

ASSEMBLY CODES

CODE	QTY	DESCRIPTION
DEVTC	1	Vault, 10 trf/fuse can
DnBxxP	**	Bend, PVC
DnBxxS	**	Bend, Steel
DnF	**	Bell Fitting, PVC
DnP	**	Plug, PVC
TmUn	1	Transformer, pad mounted
UCT1	1	Grounding, Transformer, 10
U115n	1	Faulted Circuit Indicator
UN535Tn	3	Connector 10 Set Screw
UT15A	**	Arrestor
UT15En	2	Elbow, 15kV

** E or P (Elbow or Parking Stand)
n is dependent on size
m is dependent on secondary voltage
xx head angle dependent on field condition (typically 45°)

TmUn: TRANSFORMER, PAD MOUNTED

Item Code	Description 1	Description 2	QTY	T24U	Qty
281 100 00120	1-PH LOOP TRANSFORMER	10kVA 7.2kV 120/240 V	10	25	37
281 100 00130	1-PH LOOP TRANSFORMER	25kVA 7.2kV 120/240 V	1		
281 100 00140	1-PH LOOP TRANSFORMER	37.5kVA 7.2kV 120/240 V		1	
281 100 00150	1-PH LOOP TRANSFORMER	50kVA 7.2kV 120/240 V			1
281 100 00160	1-PH LOOP TRANSFORMER	75kVA 7.2kV 120/240 V			1
281 100 00170	1-PH LOOP TRANSFORMER	100kVA 7.2kV 120/240 V			1
281 100 00180	1-PH LOOP TRANSFORMER	167kVA 7.2kV 120/240 V			1
281 100 00190	1-PH LOOP TRANSFORMER	250kVA 7.2kV 120/240 V			1
281 100 00190	1-PH LOOP TRANSFORMER	250kVA 7.2kV 120/240 V			1
284 199 00310	SIGN	8" X 5" WITH BRUSHES	1	1	1
286 199 00232	CONNECTOR, 1" STUD, 10-350	1PH TRF, 6 CONDUCTORS	1	1	1
286 199 00235	CONNECTOR, 5/8 STUD, 6-500	1PH TRF	1	1	1
287 109 00240	PADLOCK, BRONZE	W/1 1/2" SHACKLE	1	1	1

UGT1: GROUNDING, TRANSFORMER, 10

Item Code	Description 1	Description 2	Qty	UGT1	UGT3	Qty
280 107 00050	CU BARE SD	#4 7-STR	12			
280 107 00070	CU BARE SD	4/0 7-STR	1			75
283 156 00010	GROUND ROD, COPPER CLAD	5/8" X 10'	1			4
283 156 00020	CLAMP, GROUND ROD	5/8" ROD - #4 STR	2			
284 199 00180	CLAMP, TRANSF TANK GND	#8 SOL - 2/0 STR CU	2			2
284 199 00182	CLAMP, TRANSF TANK GND	#6 SOL - 350MCM	2			2
286 100 00260	CONNECTOR, WEDGE CU	4/0 STR (7) - 4/0 STR (7)	2			2
286 100 00320	CONNECTOR, WEDGE CU	4/0 STR (7) - 5/8" ROD	4			4
286 101 00010	SHELL, WEDGE AMP	WHITE	6			6
286 199 00210	BREAK-AWAY	2 SOL - 2/0 STR X 2 SOL - 2/0 STR	2			2
286 199 00220	BREAK-AWAY	1/0-4/0 STR X 1/0-4/0 STR	6			6