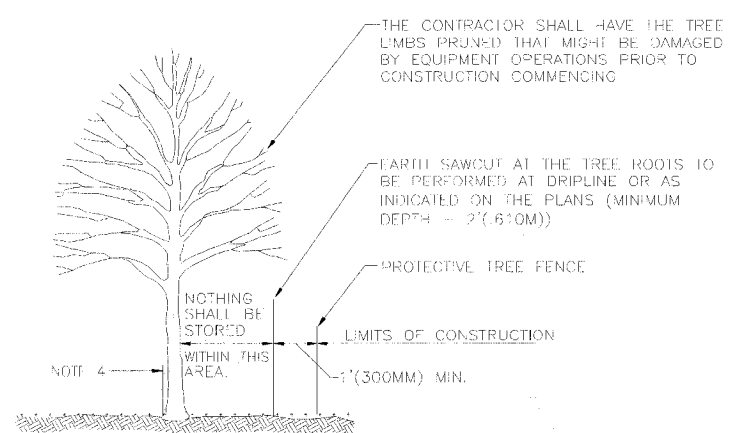


F.A. RTE. 2552	SECTION 00-0014-00-PV	COUNTY DUPAGE	TOTAL SHEETS 563	SHEET NO. 288
STA. TO STA.		FED. ROAD DIST. NO. ILLINOIS		
FED. AID PROJECT		CONTRACT 63024		

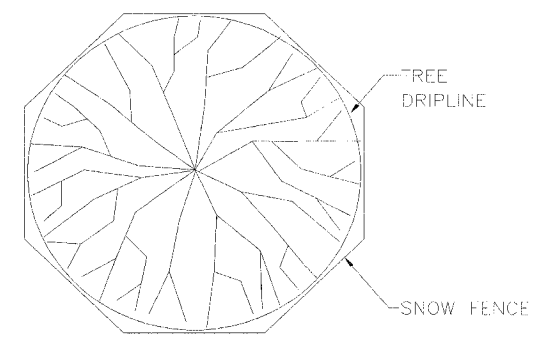
**TREE PROTECTION DETAIL**



- NOTE:**
- IF A UTILITY MUST BE WITHIN 15 FEET OF A TREE TRUNK, IT IS RECOMMENDED THAT IT BE AUGERED.
  - ALL TREES PROTECTED SHALL BE DEEP ROOT FERTILIZED.
  - ALL TREES SHALL BE WATERED.
  - PROTECT TREES WITH PLANKS FOR 10' ABOVE GROUND AND COMPLETELY AROUND TREE.
  - ALL MATERIALS SUPPLIED BY CONTRACTOR.

NAPERVILLE PUBLIC UTILITIES DEPARTMENT ELECTRIC STANDARDS	TREE PROTECTION DETAIL	DATE: 06-01-05 PAGE 1 OF 1 56270-300
---	------------------------	--

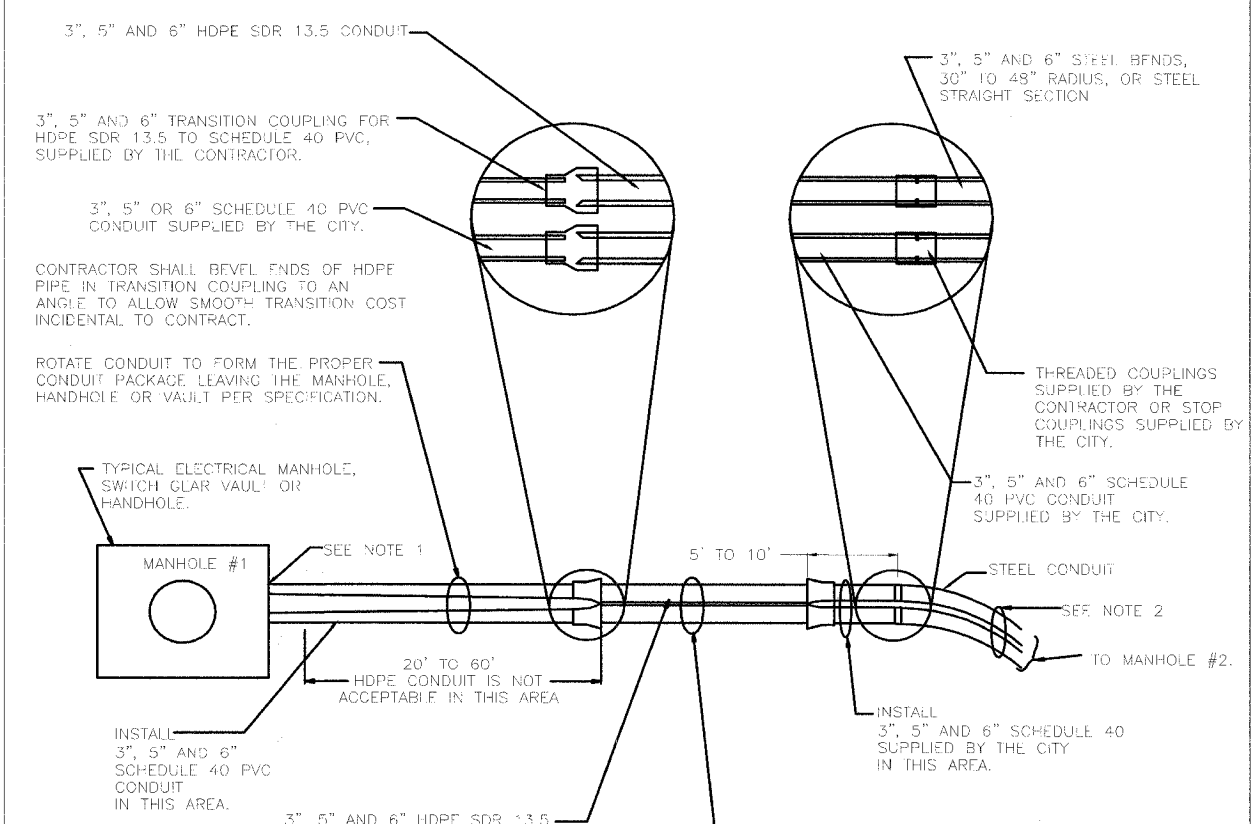
**RECOMMENDED PRACTICES FOR TREES TO BE SAVED**



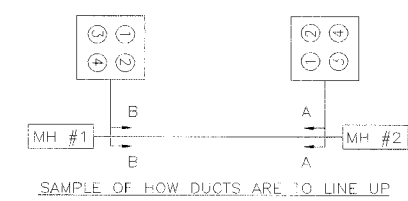
- SNOW FENCE SHALL EXTEND TO THE DRIPLINE OF THE TREE. THE SNOW FENCE SHALL BE HIGH ENOUGH SO AS TO BE VISIBLE TO ALL CONSTRUCTION PERSONNEL.
- GRADE CHANGES, UTILITY TRENCHES, STORAGE OF CONSTRUCTION MATERIAL, DUMPING OF WASTE OR STORAGE OF CONSTRUCTION EQUIPMENT SHALL NOT BE ALLOWED WITHIN SNOW FENCING.
- IF A UTILITY MUST BE WITHIN 15'(4.57M) OF A TREE TRUNK, IT IS RECOMMENDED THAT IT BE AUGERED.
- ALL TREES TO BE SAVED WHICH HAVE BEEN SUBJECTED TO CONSTRUCTION ACTIVITY WITHIN THE DRIPLINE SHOULD BE SELECTIVELY THINNED 10% BY AN ARBORIST SKILLED AT THE SELECTIVE THINNING PROCEDURE. NONE OF THE TREES SHALL BE TOPPED, HEADED BACK, SKINNED (REMOVAL OF THE INTERIOR BRANCHES), OR CLIMBED WITH SPIKES. ALL DEAD WOOD SHOULD BE REMOVED TO AVOID HAZARD.
- IT IS RECOMMENDED THAT FOLLOWING CONSTRUCTION, TREES BE MAINTAINED IN THEIR NATIVE CONDITION. NO LAWN SHOULD BE PLACED AROUND THE TREES. IT IS RECOMMENDED THAT THE AREA BE MULCHED WITH 2"(50MM) OF DECOMPOSED LEAVES AND 2"(50MM) OF WOOD CHIPS OR BARK.
- ALL TREES PROTECTED SHALL BE DEEP ROOT FERTILIZED.
- ALL TREES SHALL BE WATERED.
- ALL MATERIALS SUPPLIED BY CONTRACTOR.

NAPERVILLE PUBLIC UTILITIES DEPARTMENT ELECTRIC STANDARDS	RECOMMENDED PRACTICES FOR TREES TO BE SAVED	DATE: 06-01-05 PAGE 1 OF 1 56270-310
---	---	--

**TYPICAL CONDUIT CONNECTIONS ENTERING MANHOLE, HANDHOLE AND VAULTS WHEN HDPE CONDUIT IS USED**



- NOTES:**
- SEE SPECIFICATION FOR PROPER DUCT ALIGNMENT INTO MANHOLE
  - SEE SPECIFICATION FOR PROPER DUCT ALIGNMENT ON THE OTHER END OF DUCT RUN THE NUMBERED DUCTS SHOULD BE IN THE SAME LOCATION ON BOTH ENDS (SEE SAMPLE AT LOWER RIGHT).
  - COST TO PROPERLY INSTALL CONDUIT FROM ONE ELECTRICAL FACILITY TO ANOTHER IS INCIDENTAL TO THE COST OF THE WORK.
  - DUCT PACKAGE CAN BE ANY NUMBER OF DUCTS, FROM 2 DUCTS TO 18 DUCTS.
  - COST OF ALIGNING DUCTS ARE INCIDENTAL TO THE CONTRACT.



NAPERVILLE PUBLIC UTILITIES DEPARTMENT ELECTRIC STANDARDS	TYPICAL CONDUIT CONNECTIONS	DATE: 01-02-08 56270-320
---	-----------------------------	-----------------------------

<b>WF# INFORMATION</b>		<b>CITY OF NAPERVILLE/DEPARTMENT OF PUBLIC UTILITIES - ELECTRIC</b>			
WF# 59481 WASHINGTON ST. 75TH TO OLYMPIUS DR. EAST SIDE	JOB 1 EU-73	PROJECT TITLE <b>75TH ST. AND WASHINGTON ST. ROAD IMPROVEMENTS</b>		MAP NO.:	CAD FILE: 0056270001047.DWG
WF# 59482 75TH WASHINGTON ST. TO OLYMPIUS DR. NORTH SIDE	JOB 2 EU-73	PROJECT DESCRIPTION TRENCH SECTION DETAILS		DRWN BY: JK, PM	PROJECT NO.: EU12-08-03
WF# 59484 75TH WASHINGTON ST. TO CLYDE DR. SOUTH SIDE	JOB 3 EU-73	DATE: 4-01-08	WORK REQUEST NO.: 56270	CHD:	SUBC:
WF# 59485 WASHINGTON ST. 75TH TO BAILEY RD. EAST SIDE	JOB 4 EU-73	ENGINEER: RPS	ISSUED:	APPR:	SCALE: NTS
		REVISION: 1 2 3			COMPLETED BY: SHEET 47 OF 73