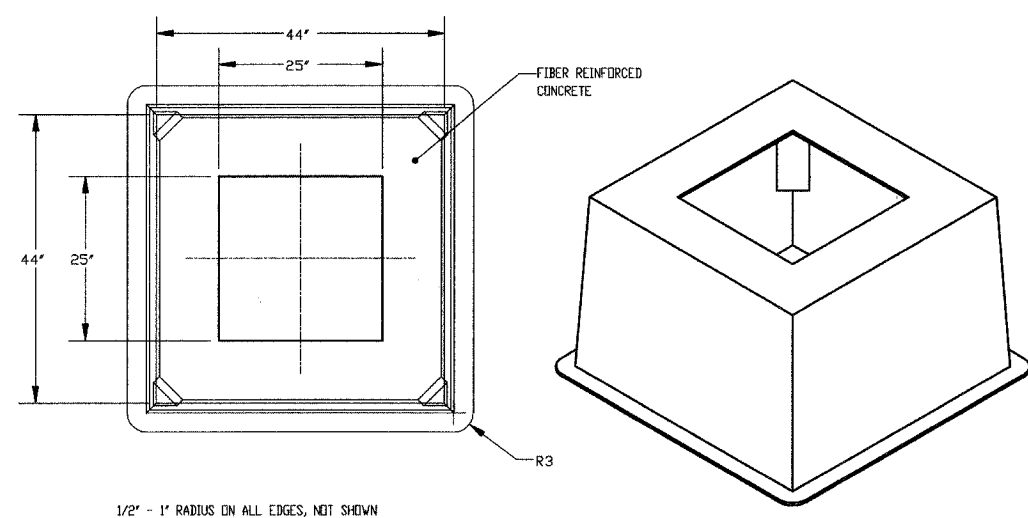


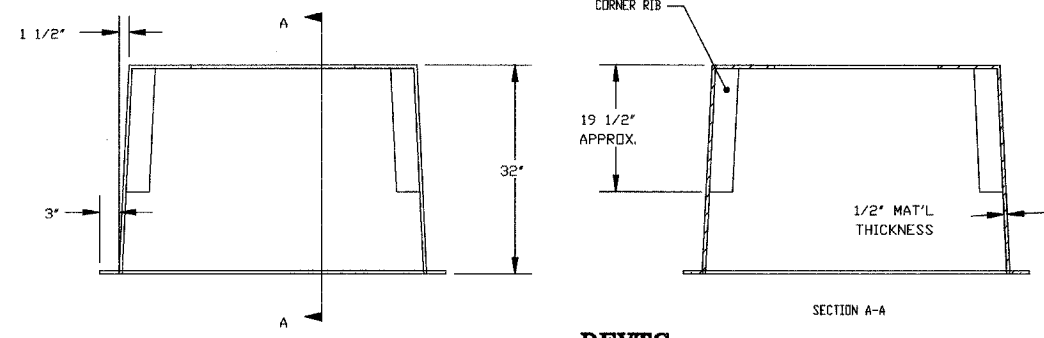
F.A. RTE.	2552	SECTION	COUNTY	TOTAL SHEETS	SHEET NO.
		00-0014-00-PV	DUPAGE	563	296
STA.		TO STA.			
FED. ROAD DIST. NO.		ILLINOIS	FED. AID PROJECT		

CONTRACT 63024

**TRANSFORMER PAD**



1/2" - 1" RADIUS ON ALL EDGES, NOT SHOWN

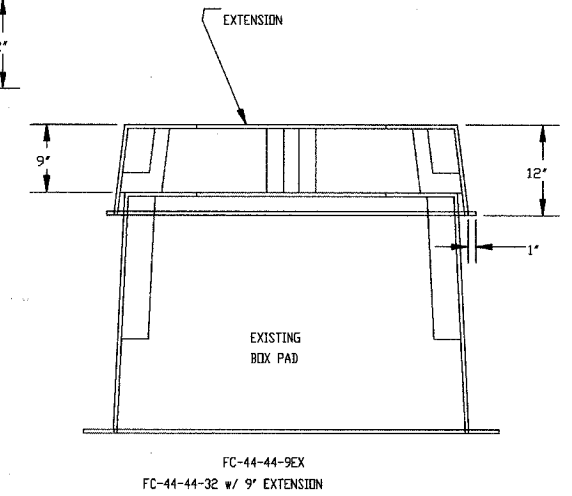
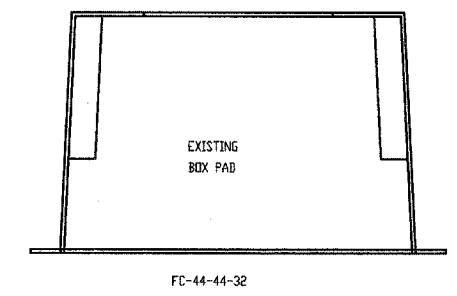
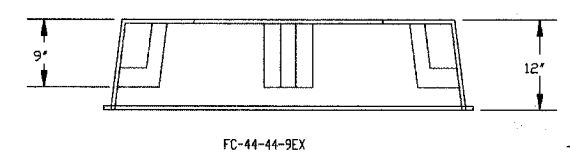
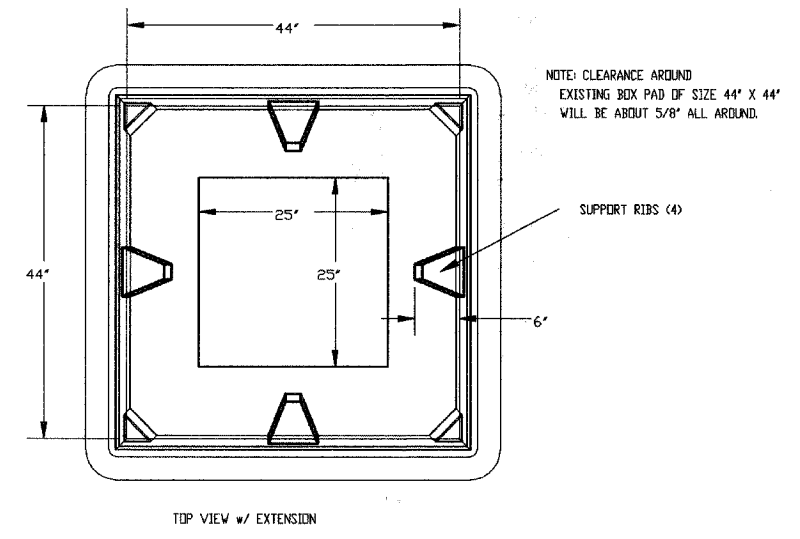


**DEVTC**

- NOTES:
- SEE M30-1400 FOR PRODUCT MATERIAL SPECIFICATIONS.
  - BOX PAD EXTENSIONS WILL FIT OVER NEW (44 X 44 X 32) AND EXISTING (38 X 43 X 32) TRANSFORMER BOX PADS (SEE M30-1444).

NAPERVILLE PUBLIC UTILITIES DEPARTMENT	<b>FIBERCRETE BOX PAD FOR 1Ø TRANSFORMER</b>	DATE: 12-26-04
ELECTRIC STANDARDS		<b>M30-1440</b>

**1Ø TRANSFORMER PAD EXTENDER**



- NOTES:
- SEE M30-1400 FOR PRODUCT MATERIAL SPECIFICATIONS.
  - BOX PAD EXTENSIONS WILL FIT OVER NEW (44 X 44 X 32) AND EXISTING (43 X 38 X 32) TRANSFORMER BOX PADS (SEE M30-1440).

NAPERVILLE PUBLIC UTILITIES DEPARTMENT	<b>BOX PAD EXTENSION FOR 1Ø TRANSFORMER</b>	DATE: 11-02-05
ELECTRIC STANDARDS		<b>M30-1444</b>

<b>WF# INFORMATION</b>		<b>CITY OF NAPERVILLE/DEPARTMENT OF PUBLIC UTILITIES - ELECTRIC</b>			
WF# 59481	JOB 1	CALL J.U.L.I.E. 48 HRS. PRIOR TO CONSTRUCTION			
WASHINGTON ST. 75TH TO OLYMPUS DR. EAST SIDE	EU-73	PROJECT TITLE	MAP NO.	CAD FILE:	
WF# 59482	JOB 2	75TH ST. AND WASHINGTON ST. ROAD IMPROVEMENTS		0056270001D55.DWG	
75TH WASHINGTON ST. TO OLYMPUS DR. NORTH SIDE	EU-73	PROJECT DESCRIPTION	TRENCH SECTION DETAILS	DRAWN BY:	JK, PM
WF# 59484	JOB 3	DATE	4-01	WORK REQUEST NO.	56270
75TH WASHINGTON ST. TO CLYDE DR. SOUTH SIDE	EU-73	ISSUED	DB	GRND:	
WF# 59485	JOB 4	ENGINEER	RPS	APPR:	
WASHINGTON ST. 75TH TO BAILEY RD. EAST SIDE	EU-73	REVISION		SCALE:	NTS
				COMPLETED BY:	
					SHEET 55 OF 73