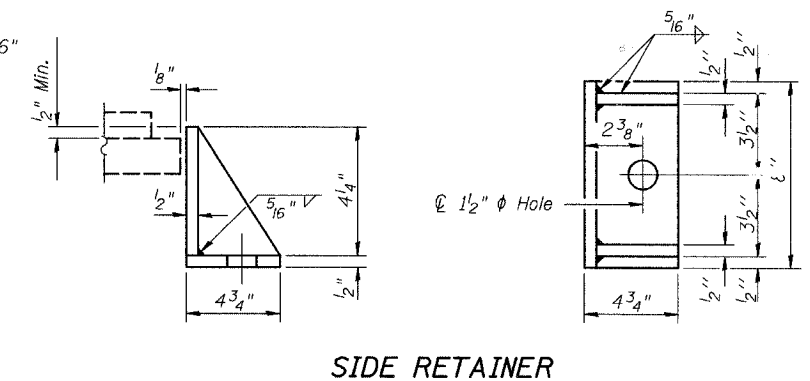
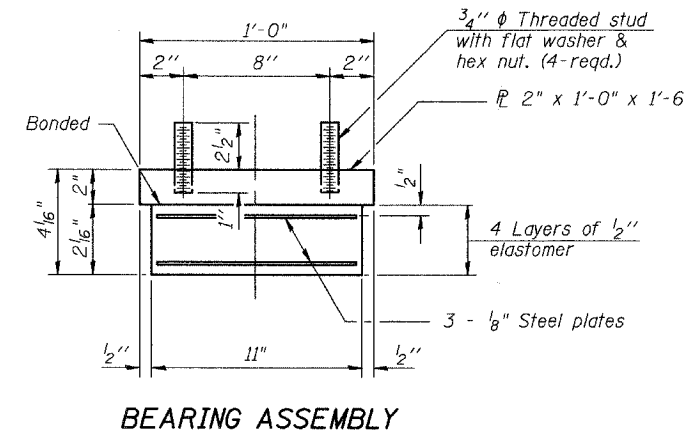
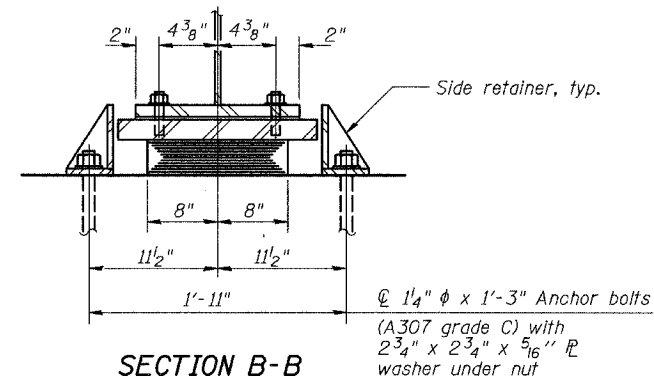
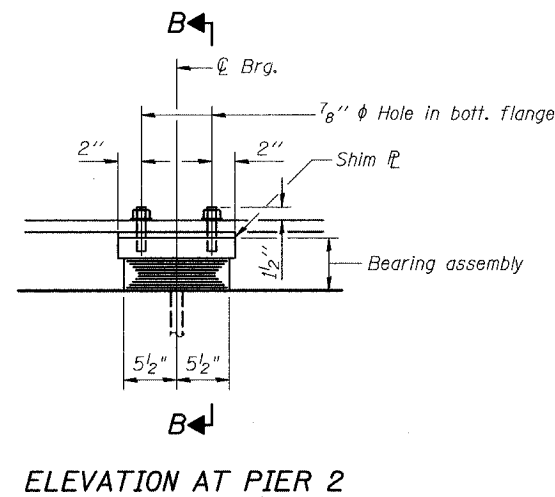


TYPE I ELASTOMERIC EXP. BRG. AT WEST ABUTMENT



TYPE I ELASTOMERIC EXP. BRG. AT PIER 2

NOTES:

1. For Bill of Material, see Sheet 27.
2. Anchor bolts shall be ASTM F1554 all-thread (or an engineer-approved alternate material) of the grade(s) and diameter(s) specified. ASTM A307 grade C anchor bolts may be used in lieu of ASTM F1554 grade 36 (fy=36ksi). The corresponding specified grade of AASHTO M314 anchor bolts may be used in lieu of ASTM F1554.
3. Anchor bolts for Type I side retainers may be cast in place or installed in holes drilled before or after members are in place.
4. Drilled and set anchor bolts shall be installed according to Article 521.06 of the Standard Specifications.
5. Side retainers and other steel members required for the bearing assembly shall be included in the cost of Elastomeric Bearing Assembly, Type I.
6. The structural steel plates shall conform to the requirements of AASHTO M270 Grade 50W.
7. Two 1/8" adjusting shims shall be provided for each bearing in addition to all other plates or shims and placed as shown on bearing plans.

TYLIN INTERNATIONAL

DESIGNED	- PL
CHECKED	- SP
DRAWN	- PL
CHECKED	- SP

REVISIONS	
NAME	DATE

BEARINGS - I

75th STREET OVER THE
WEST BRANCH OF THE DUPAGE RIVER
FAP 369
SECTION 00-00114-00-PV STA. 151+38.03
DUPAGE COUNTY
S.N. 022-3118