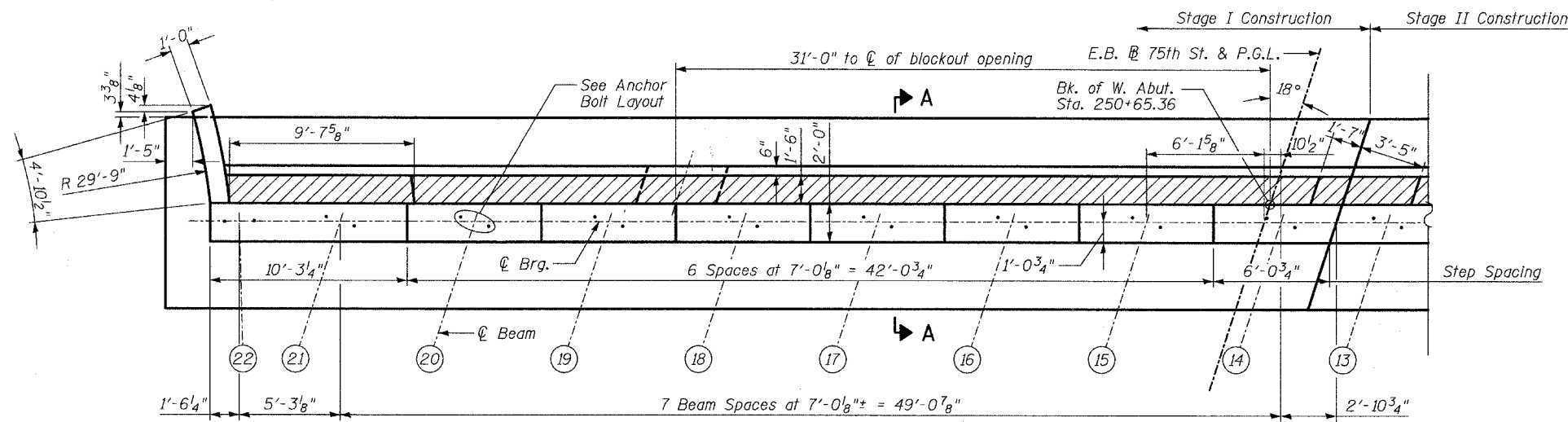
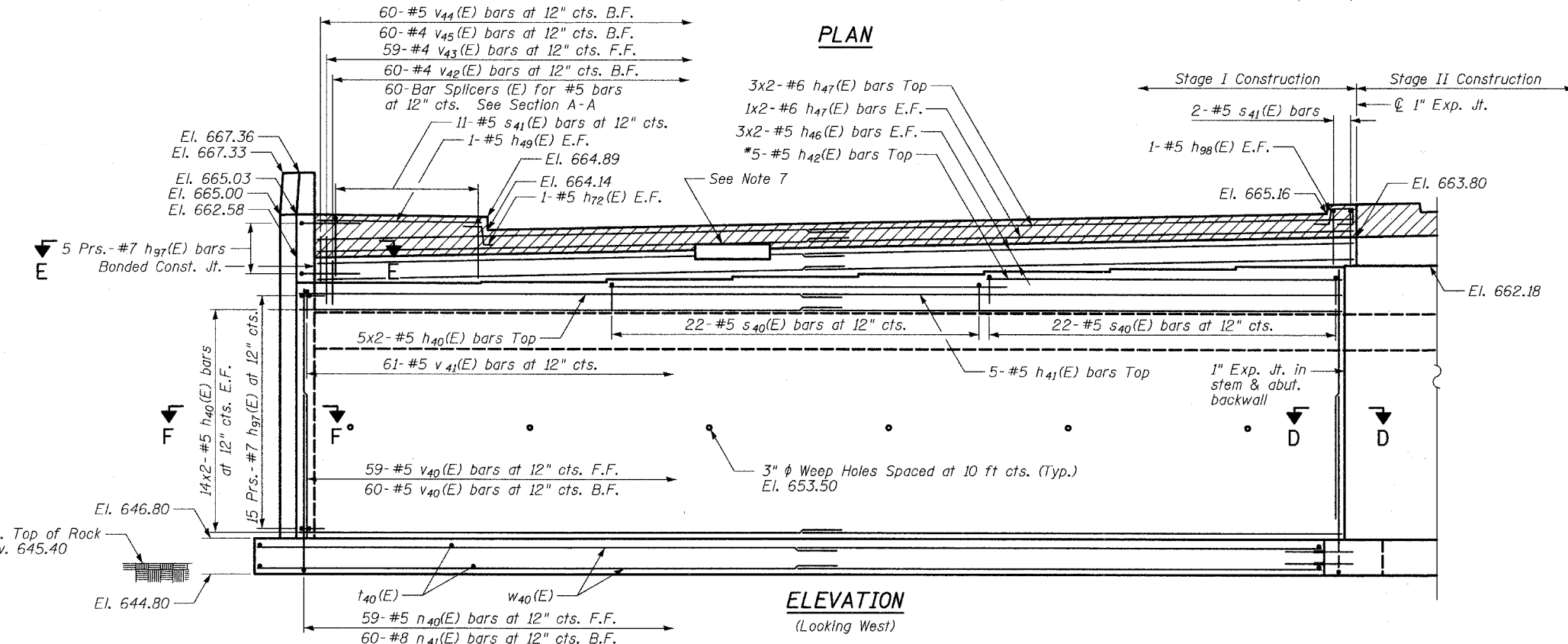


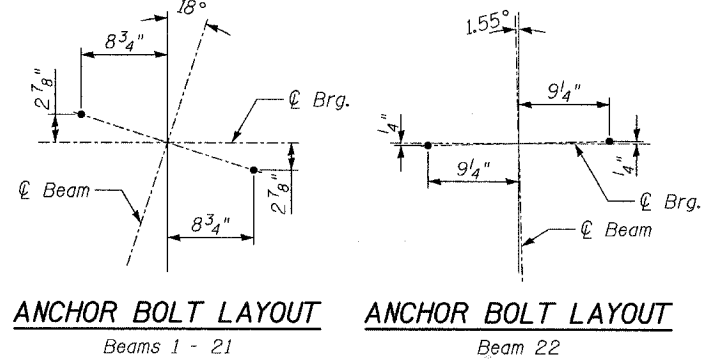
- NOTES:**
- Space reinforcement in cap to miss anchor bolts.
  - All edges shall have standard 3/4" chamfers.
  - Bars indicated thus: 11x2-#5 etc. indicates 11 lines of bars with 2 lengths per line.
  - For Section A-A see Sheet 31.
  - For details of reinforcement and Bill of Material see Sheet 31.
  - Pour steps monolithically with cap.
  - Provide 11" high by 5'-5" blackout for proposed ducts. Bottom of blackout Elev. 662.06. The Contractor shall furnish 8" φ PVC sleeves for the proposed conduits, see sheet 290 of 565. The centerline of the proposed PVC ducts is at Elev. 662.52 ±. Once the duct package has been installed between the beams, the blackout shall be filled with non-shrink grout in accordance with Section 1024 of the Standard Specifications. The cost shall be included in Concrete Structures.



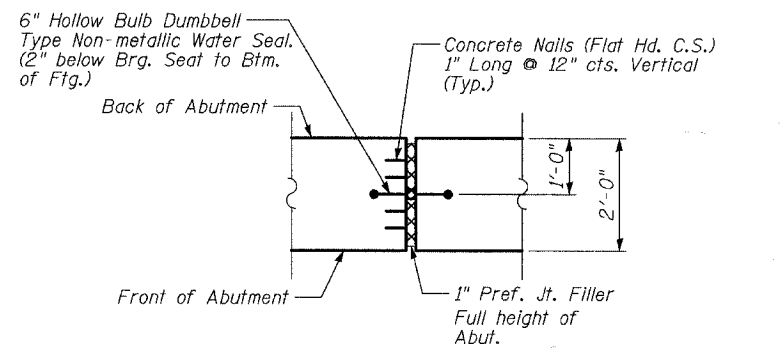
**PLAN**



**ELEVATION**  
(Looking West)



**ANCHOR BOLT LAYOUT**



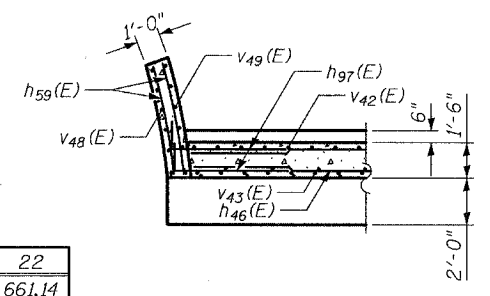
**SECTION D-D**

Cost of Water Seal included in the cost of Concrete Structures.

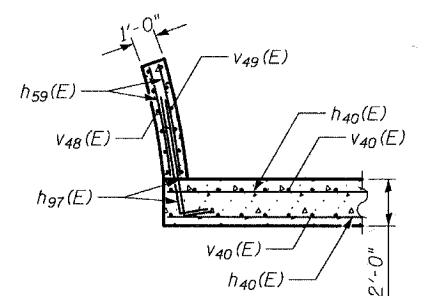
**MINIMUM BAR LAPS**

Bar	Lap
#5	2'-2"
#6	2'-7"
#7	3'-5"
#8	4'-6"

**LEGEND**  
F.F. denotes front face  
B.F. denotes back face  
E.F. denotes each face



**SECTION E-E**



**SECTION F-F**

\* Cut bars in field for fit.

REVISIONS	
NAME	DATE

**WEST ABUTMENT - I**

75th STREET OVER THE  
WEST BRANCH OF THE DUPAGE RIVER  
FAP 369  
SECTION 00-00114-00-PV STA. 151+38.03  
DUPAGE COUNTY  
S.N. 022-3118

**TYLIN INTERNATIONAL**

DESIGNED	- PL
CHECKED	- SP
DRAWN	- PL
CHECKED	- SP

**SEAT ELEVATIONS**

BEAM #	14	15	16	17	18	19	20	21	22
ELEVATION	662.11	661.96	661.81	661.66	661.51	661.36	661.20	661.14	661.14
STEP HT.	1 3/4"	1 3/4"	1 3/4"	1 3/4"	1 3/4"	1 1/8"	3/4"	0"	0"