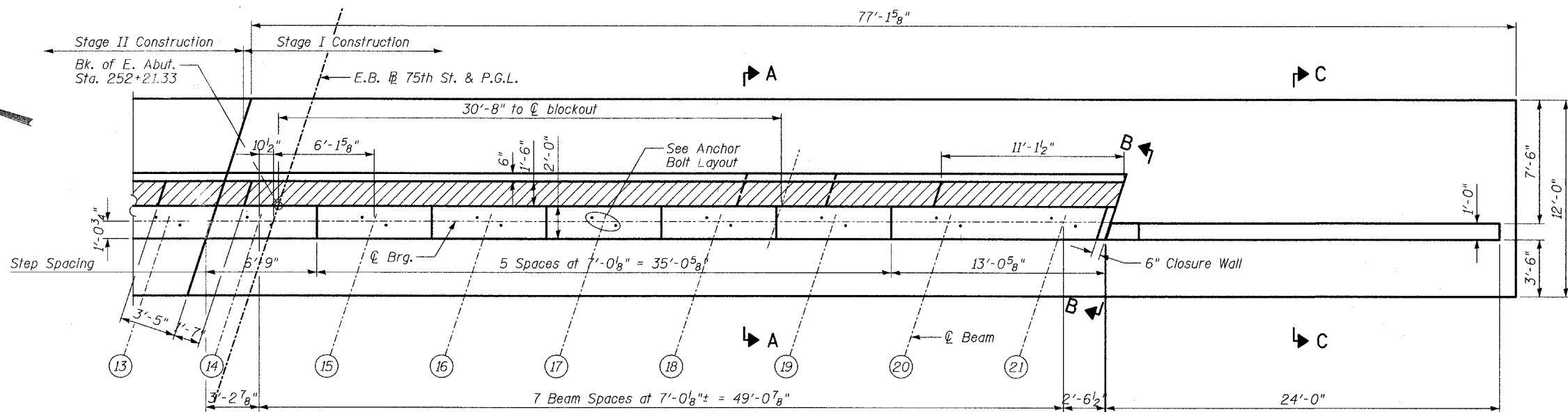
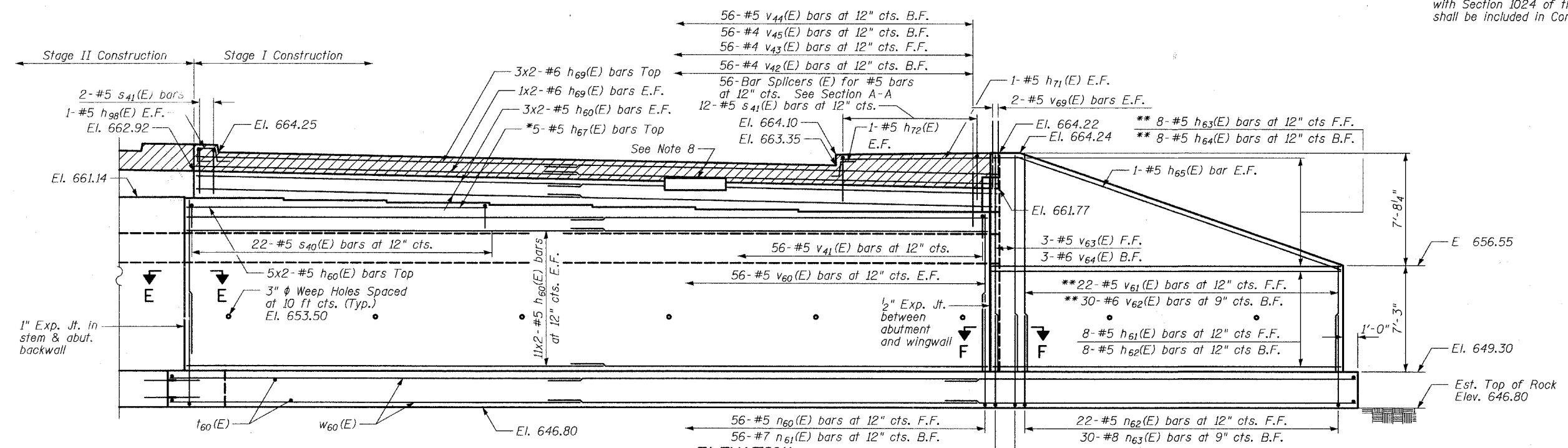


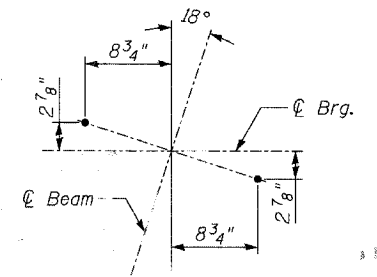
- NOTES:**
- Space reinforcement in cap to miss anchor bolts.
 - All edges shall have standard 3/4" chamfers.
 - Bars indicated thus: 11x2-#5 etc. indicates 11 lines of bars with 2 lengths per line.
 - For Section A-A see Sheet 35.
 - For details of reinforcement and Bill of Material see Sheet 35.
 - Pour steps monolithically with cap.
 - See Section B-B for closure wall reinforcement.
 - Provide 11" high by 5'-5" blackout for proposed ducts. Bottom of blackout Elev. 661.18. The Contractor shall furnish 8" ϕ PVC sleeves for the proposed conduits, see sheet 290 of 565. The ϕ of the proposed PVC ducts is at Elev. 661.64 \pm . Once the duct package has been installed between the beams, the blackout shall be filled with non-shrink grout in accordance with Section 1024 of the Standard Specifications. The cost shall be included in Concrete Structures.



PLAN



ELEVATION
(Looking East)

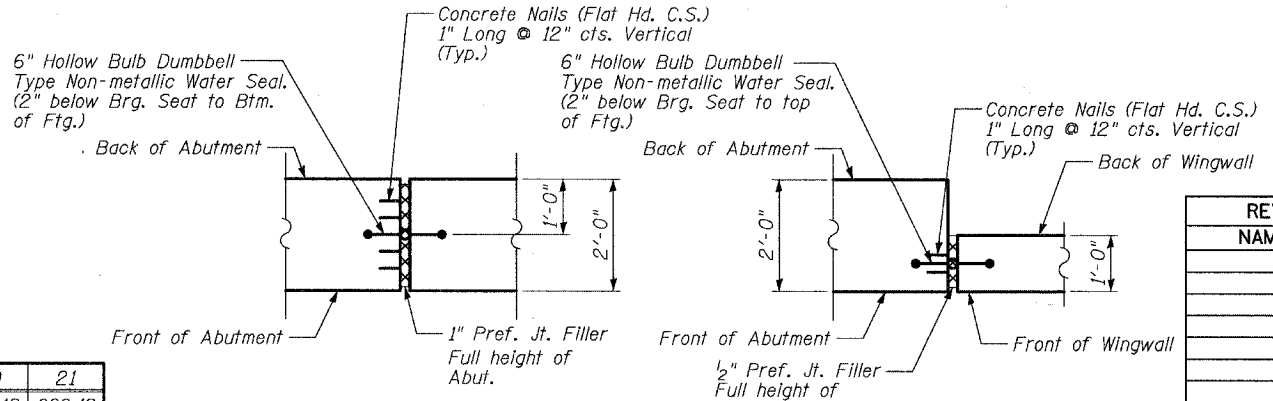


ANCHOR BOLT LAYOUT

MINIMUM BAR LAPS

Bar	Lap
#5	2'-2"
#6	2'-7"
#7	3'-5"
#8	4'-6"

LEGEND
F.F. denotes front face
B.F. denotes back face
E.F. denotes each face



SECTION E-E

Cost of Water Seal included in the cost of Concrete Structures.

SECTION F-F

Cost of Water Seal included in the cost of Concrete Structures.

REVISIONS

NAME	DATE

EAST ABUTMENT - I

75th STREET OVER THE
WEST BRANCH OF THE DUPAGE RIVER
FAP 369
SECTION 00-00114-00-PV STA. 151+38.03
DUPAGE COUNTY
S.N. 022-3118

TYLIN INTERNATIONAL

DESIGNED	PL
CHECKED	SP
DRAWN	PL
CHECKED	St

SEAT ELEVATIONS

BEAM #	14	15	16	17	18	19	20	21
ELEVATION	661.07	660.92	660.77	660.62	660.47	660.32	660.18	660.18
STEP HT.	1 3/4"	1 3/4"	1 3/4"	1 3/4"	1 3/4"	1 3/4"	1 5/8"	0"