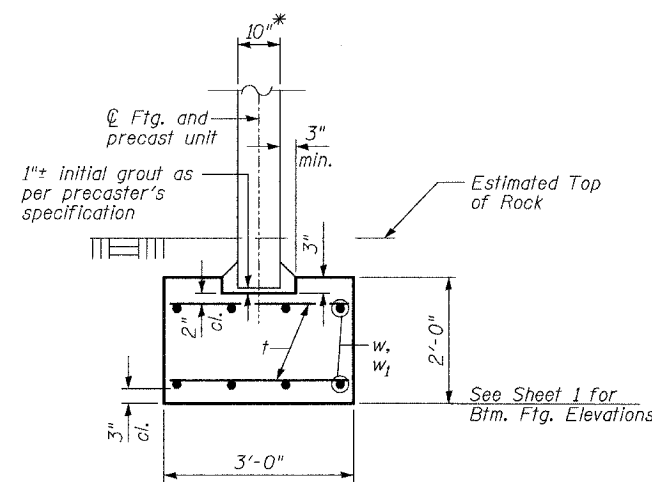


FOOTING PLAN



SECTION A-A

* May vary per precaster's design. Keyway width to be adjusted accordingly.

BILL OF MATERIAL

Bar	No.	Size	Length	Shape
t	616	#4	2'-9"	—
w	32	#6	45'-1"	—
w ₁	32	#6	34'-0"	—
Rock Excavation for Structures			Cu. Yd.	275.1
Reinforcement Bars			Pound	4940
Concrete Structures			Cu. Yd.	64.4

Minimum lap for #6 bar is 2'-9".

TYLIN INTERNATIONAL

DESIGNED	- SP
CHECKED	- SP PF
DRAWN	- SP
CHECKED	- SP PF

REVISIONS	
NAME	DATE

**PEDESTRIAN TUNNEL
FOOTING DETAILS**

WASHINGTON - 75TH STREET
F.A.U. ROUTE 2552
SECTION 00-00114-00-PV
DUPAGE COUNTY