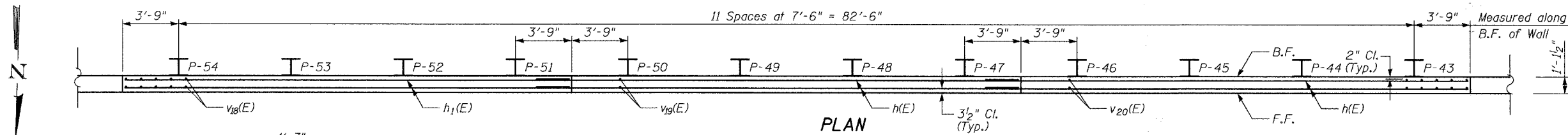
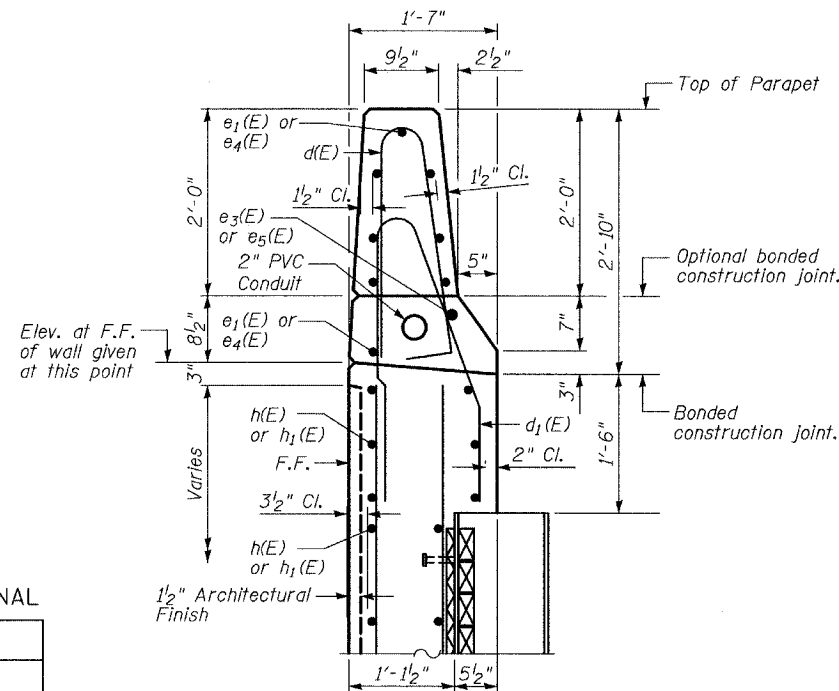


ELEVATION - WALL B
(Looking At Front Face)

* See Cutting Diagram.



PLAN



SECTION A-A
TYPE F BARRIER DETAIL

LAP SPLICES

Bar	Lap
#4	1'-8"
#5	2'-2"
#8	4'-6"

TYLIN INTERNATIONAL

DESIGNED	- PL
CHECKED	- SP
DRAWN	- PL
CHECKED	- SP

NOTES:

- B.F. denotes Back Face.
- E.F. denotes Each Face.
- F.F. denotes Front Face.
- Work this sheet with Sheets 6, 7, 8, & 10 of 18.
- Offsets are measured from the ϕ 75th St. to the front face of wall.
- See Sheet 13 of 18 for limits of architectural finish.
- See Sheet 15 of 18 for railing details.

REVISIONS	
NAME	DATE

WALL B
PLAN & ELEVATION
STA. 52+26.72 TO STA. 51+36.72

WASHINGTON - 75TH STREET
F.A.U. ROUTE 2552
SECTION 00-00114-00-PV
DUPAGE COUNTY