

SERIES OF BAR CUTTING DIAGRAM

See table for dimensions.
Make all cuts normal to bar axis

BAR TABLE SCHEDULE

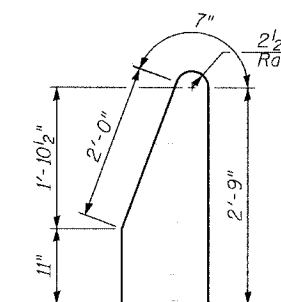
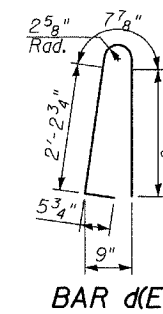
Bar	No. of Sets Req'd	No. of Bars Per Set	A	B	C
v(E)	1	31	8'-4"	9'-6"	17'-10"
v ₁ (E)	1	31	9'-6"	10'-9"	20'-3"
v ₂ (E)	1	31	10'-9"	12'-0"	22'-9"
v ₃ (E)	1	31	12'-0"	13'-6"	25'-6"
v ₄ (E)	1	31	13'-6"	15'-0"	28'-6"
v ₅ (E)	1	31	15'-0"	16'-7"	31'-7"
v ₆ (E)	1	31	16'-7"	17'-7"	34'-2"
v ₇ (E)	1	31	17'-7"	18'-7"	36'-2"
v ₈ (E)	1	8	18'-7"	18'-10"	37'-5"
v ₁₀ (E)	1	31	15'-10"	15'-1"	30'-11"
v ₁₁ (E)	1	31	15'-1"	14'-5"	29'-6"
v ₁₂ (E)	1	31	14'-5"	13'-6"	27'-11"
v ₁₃ (E)	1	31	13'-6"	12'-6"	26'-0"
v ₁₄ (E)	1	31	12'-6"	11'-6"	24'-0"
v ₁₅ (E)	1	31	11'-6"	10'-7"	22'-1"
v ₁₆ (E)	1	31	10'-7"	9'-7"	20'-2"
v ₁₇ (E)	1	31	9'-7"	8'-7"	18'-2"
v ₁₈ (E)	1	31	8'-7"	7'-7"	16'-2"
v ₁₉ (E)	1	31	7'-7"	6'-7"	14'-2"
v ₂₀ (E)	1	31	6'-7"	5'-7"	12'-2"
v ₂₁ (E)	1	31	5'-7"	4'-8"	10'-3"
v ₂₂ (E)	1	31	4'-8"	3'-8"	8'-4"
v ₂₃ (E)	1	31	3'-8"	2'-9"	6'-5"
v ₂₄ (E)	1	31	5'-2"	8'-4"	13'-6"

WALL A BILL OF MATERIAL

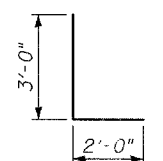
Bar	No.	Size	Length	Shape
h(E)	186	#5	32'-2"	—
h ₁ (E)	82	#5	29'-8"	—
h ₂ (E)	40	#5	7'-2"	—
v(E)	31	#5	17'-10"	—
v ₁ (E)	31	#5	20'-3"	—
v ₂ (E)	31	#5	22'-9"	—
v ₃ (E)	31	#5	25'-6"	—
v ₄ (E)	31	#5	28'-6"	—
v ₅ (E)	31	#5	31'-7"	—
v ₆ (E)	31	#5	34'-2"	—
v ₇ (E)	31	#5	36'-2"	—
v ₈ (E)	8	#5	37'-5"	—
v ₂₄ (E)	31	#5	13'-6"	—
Structure Excavation		CU YD		342
Rock Excavation for Structures		CU YD		13
Concrete Structures		CU YD		154
Protective Coat		SQ YD		123
Form Liner Textured Surface		SQ YD		364
Stud Shear Connectors		EACH		408
Untreated Timber Lagging		SQ FT		2,474
Reinforcement Bars, Epoxy Coated		LB		16,840
Furnishing Soldier Piles (HP Section)		FT		294
Furnishing Soldier Piles (W Section)		FT		310
Geocomposite Wall Drain		SQ YD		275
Pipe Underdrains for Structures, 4"		FT		278
Drilling and Setting Soldier Piles (in Soil)		CU FT		1,969
Drilling and Setting Soldier Piles (in Rock)		CU FT		1,248
Parapet Railing, Special		FT		278
Anti-Graffiti Coating		SQ FT		3,276

WALL B BILL OF MATERIAL

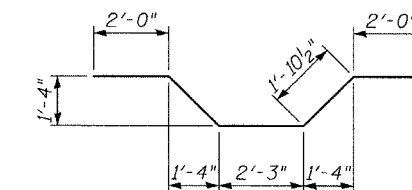
Bar	No.	Size	Length	Shape
h(E)	190	#5	32'-2"	—
h ₁ (E)	76	#5	29'-8"	—
h ₃ (E)	32	#5	8'-4"	—
d(E)	486	#5	5'-7"	—
d ₁ (E)	486	#5	6'-3"	—
d ₂ (E)	6	#6	5'-0"	—
d ₃ (E)	10	#6	10'-0"	—
e(E)	8	#4	8'-4"	—
e ₁ (E)	80	#4	31'-8"	—
e ₂ (E)	1	#8	8'-4"	—
e ₃ (E)	10	#8	34'-6"	—
e ₄ (E)	32	#4	29'-8"	—
e ₅ (E)	4	#8	29'-8"	—
v ₉ (E)	18	#5	15'-11"	—
v ₁₀ (E)	31	#5	30'-11"	—
v ₁₁ (E)	31	#5	29'-6"	—
v ₁₂ (E)	31	#5	27'-11"	—
v ₁₃ (E)	31	#5	26'-0"	—
v ₁₄ (E)	31	#5	24'-0"	—
v ₁₅ (E)	31	#5	22'-0"	—
v ₁₆ (E)	31	#5	20'-1"	—
v ₁₇ (E)	31	#5	18'-2"	—
v ₁₈ (E)	31	#5	16'-2"	—
v ₁₉ (E)	31	#5	14'-2"	—
v ₂₀ (E)	31	#5	12'-2"	—
v ₂₁ (E)	31	#5	10'-3"	—
v ₂₂ (E)	31	#5	8'-4"	—
v ₂₃ (E)	31	#5	6'-5"	—
Structure Excavation		CU YD		368
Rock Excavation for Structures		CU YD		9
Concrete Structures		CU YD		238
Protective Coat		SQ YD		182
Form Liner Textured Surface		SQ YD		412
Stud Shear Connectors		EACH		622
Untreated Timber Lagging		SQ FT		3,615
Reinforcement Bars, Epoxy Coated		LB		27,740
Furnishing Soldier Piles (HP Section)		FT		553
Furnishing Soldier Piles (W Section)		FT		556
Geocomposite Wall Drain		SQ YD		402
Pipe Underdrains for Structures, 4"		FT		429
Drilling and Setting Soldier Piles (in Soil)		CU FT		3,766
Drilling and Setting Soldier Piles (in Rock)		CU FT		1,422
Parapet Railing, Special		FT		429
Anti-Graffiti Coating		SQ FT		3,708



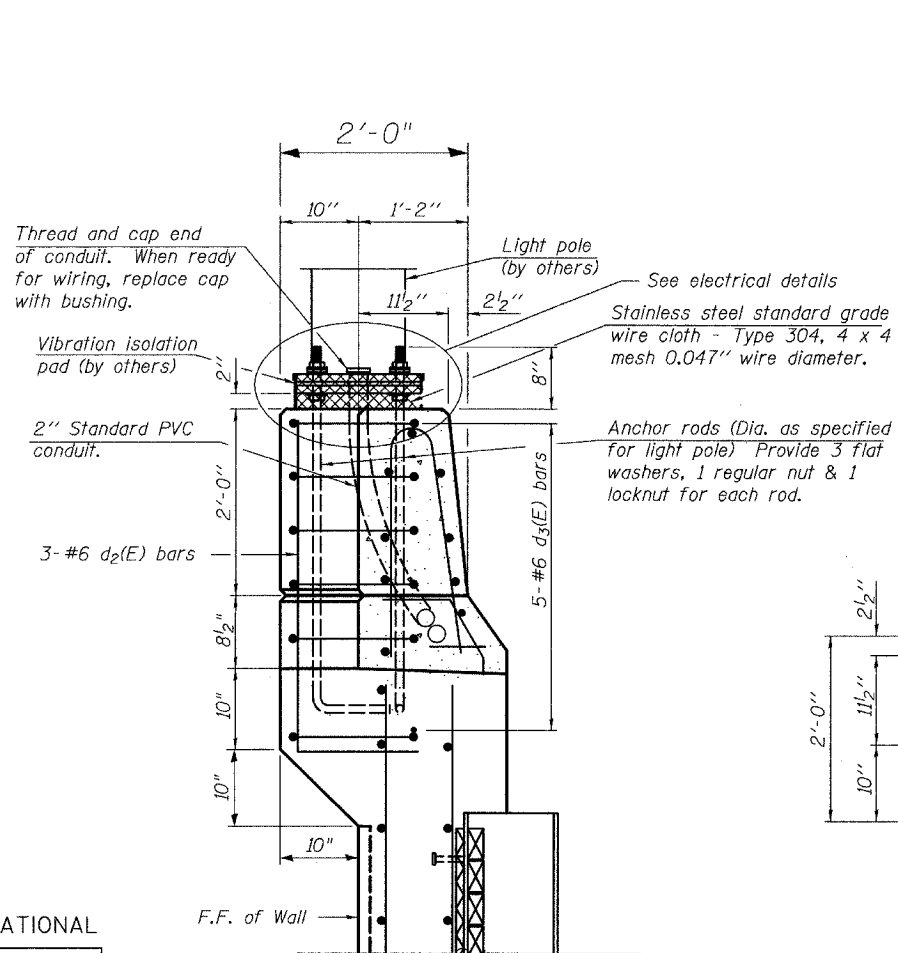
BAR d₁(E)



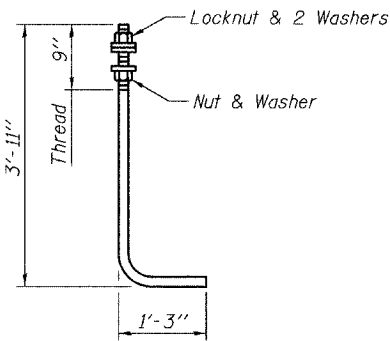
BAR d₂(E)



BAR d₃(E)

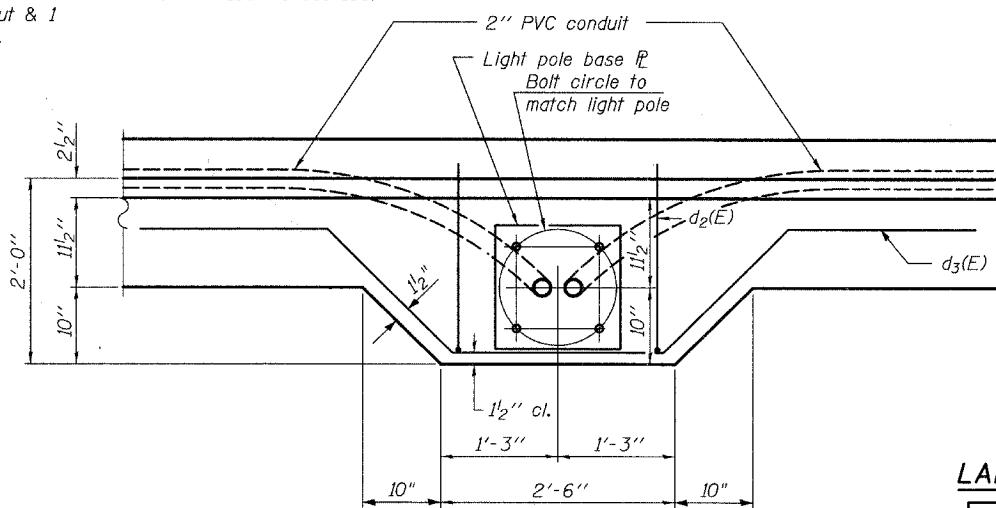


SECTION



ANCHOR ROD

Diameter as specified for light poles. (ASTM F 1554 Grade 105)



PLAN

Note:
Cost of anchor rods is included with Concrete Structures.

LAP SPLICES

Bar	Lap
#4	1'-8"
#5	2'-2"
#8	4'-6"

REVISIONS	
NAME	DATE

WALLS A AND B REINFORCEMENT DETAILS

WASHINGTON - 75TH STREET
F.A.U. ROUTE 2552
SECTION 00-00114-00-PV
DUPAGE COUNTY

TYLIN INTERNATIONAL

DESIGNED	- PL
CHECKED	- SP
DRAWN	- PL
CHECKED	- SP