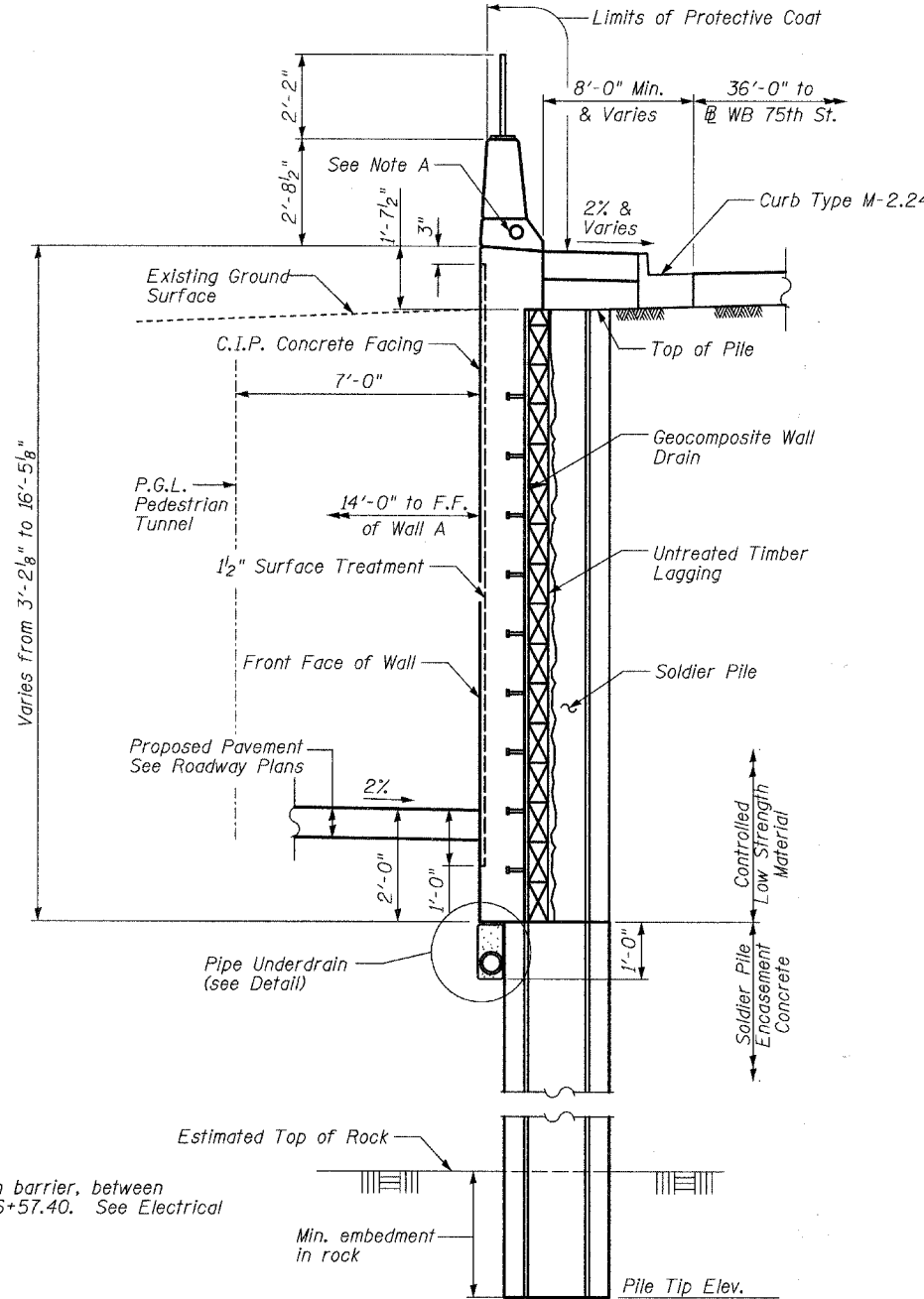


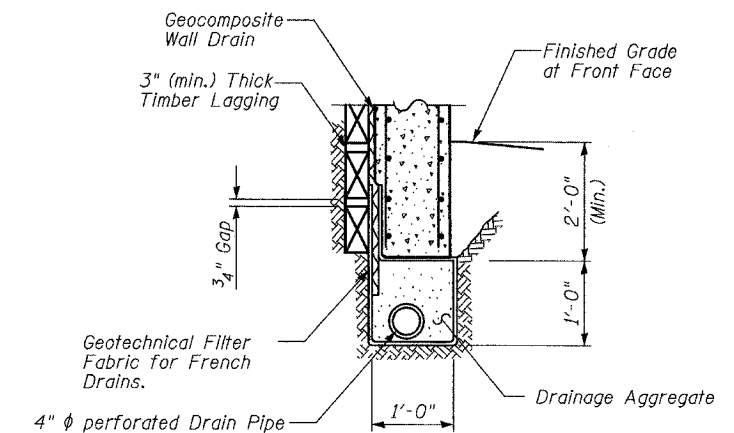
WALL A



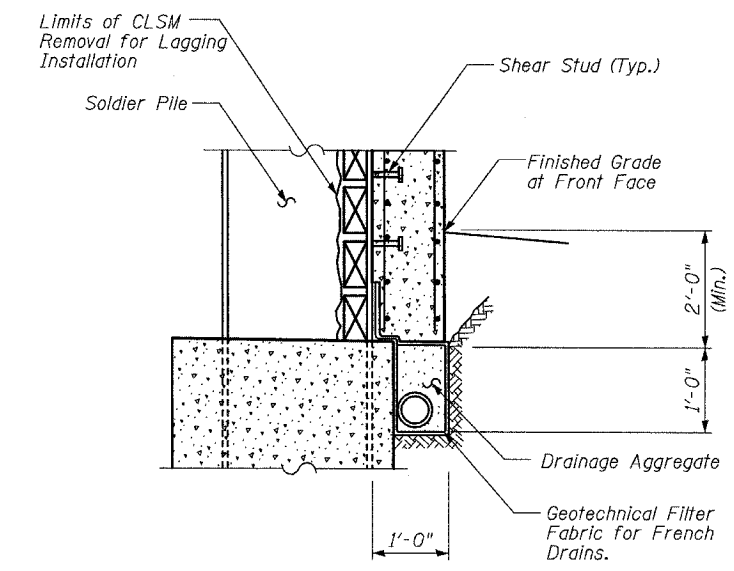
WALL B

SECTION A-A

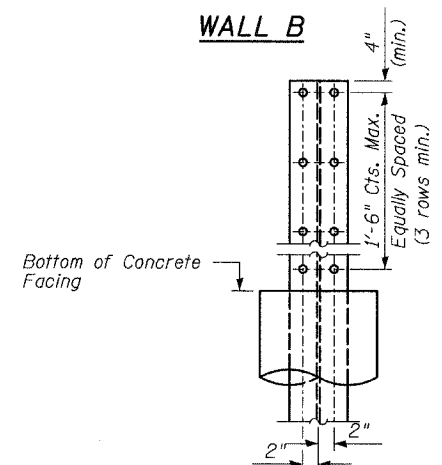
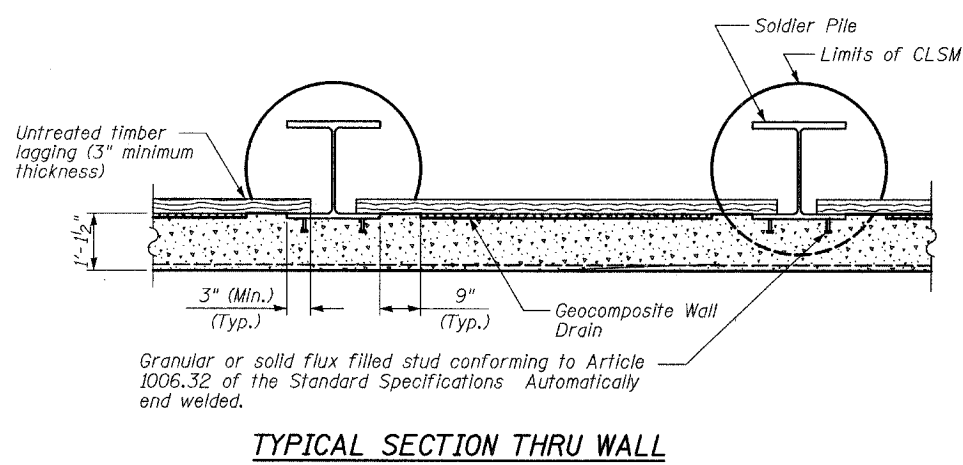
Note A:
2" PVC conduit embedded in barrier, between Sta. 144+44+00 to Sta. 146+57.40. See Electrical Plans for additional details.



PIPE UNDERDRAIN DETAIL BETWEEN SOLDIER PILES



PIPE UNDERDRAIN DETAIL AT SOLDIER PILE



Stud shear connectors shall be 3/4" φ x 6" granular or solid flux filled headed studs, automatically end welded to the front flange of the soldier piles.

TYLIN INTERNATIONAL

DESIGNED	- PL
CHECKED	- SP
DRAWN	- PL
CHECKED	- SP

REVISIONS	
NAME	DATE

WALLS A AND B
WALL CROSS SECTION & DETAILS 1

WASHINGTON - 75TH STREET
F.A.U. ROUTE 2552
SECTION 00-00114-00-PV
DUPAGE COUNTY