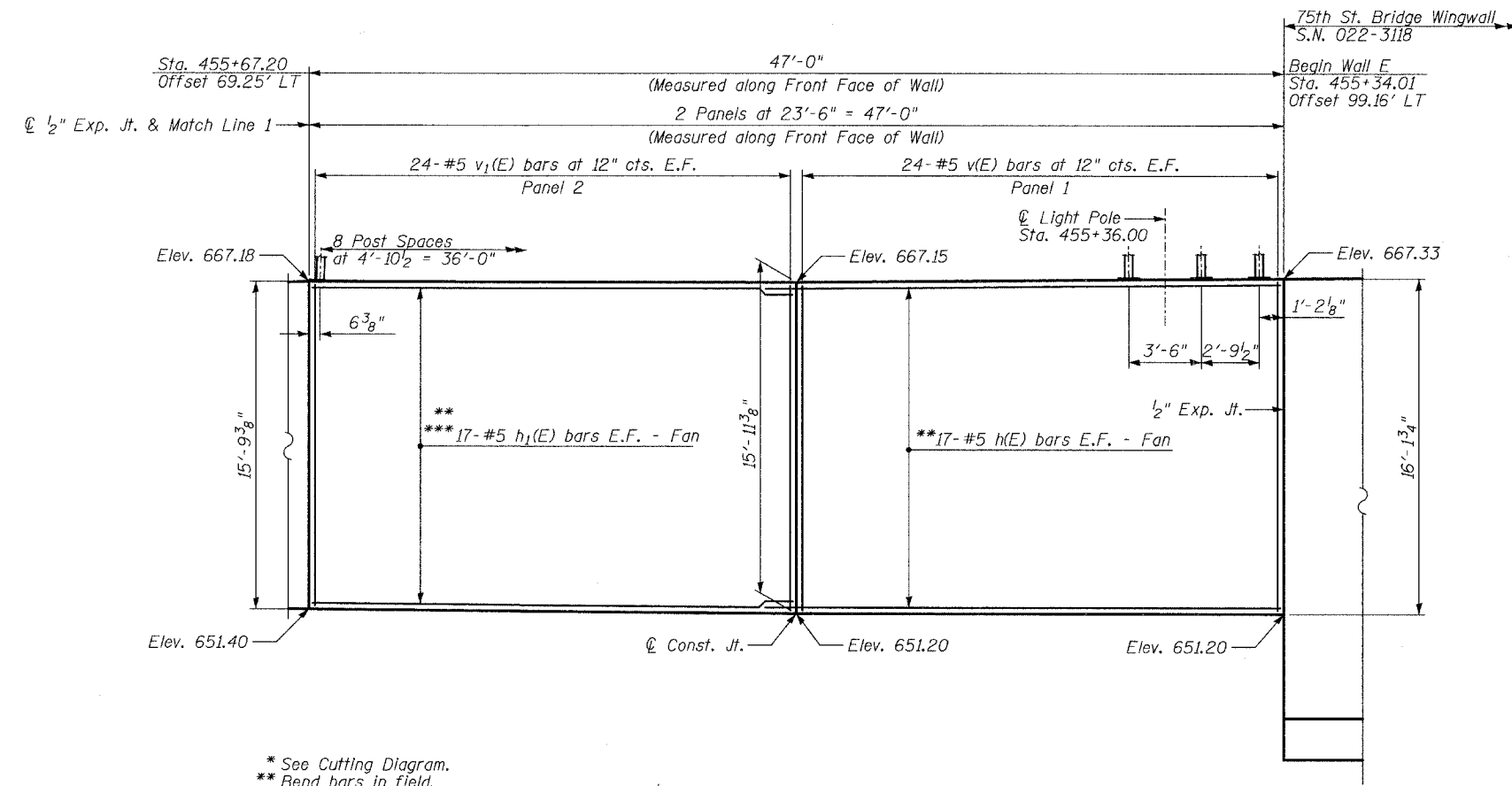


F.A.U. ROUTE NO.	SECTION	COUNTY	TOTAL SHEETS	SHEET NO.
2552	*	DUPAGE	563	415
FED. ROAD DIST. NO.	ILLINOIS	FED. AID PROJECT		
00-00114-00-PV	CONTRACT NO. 63024			

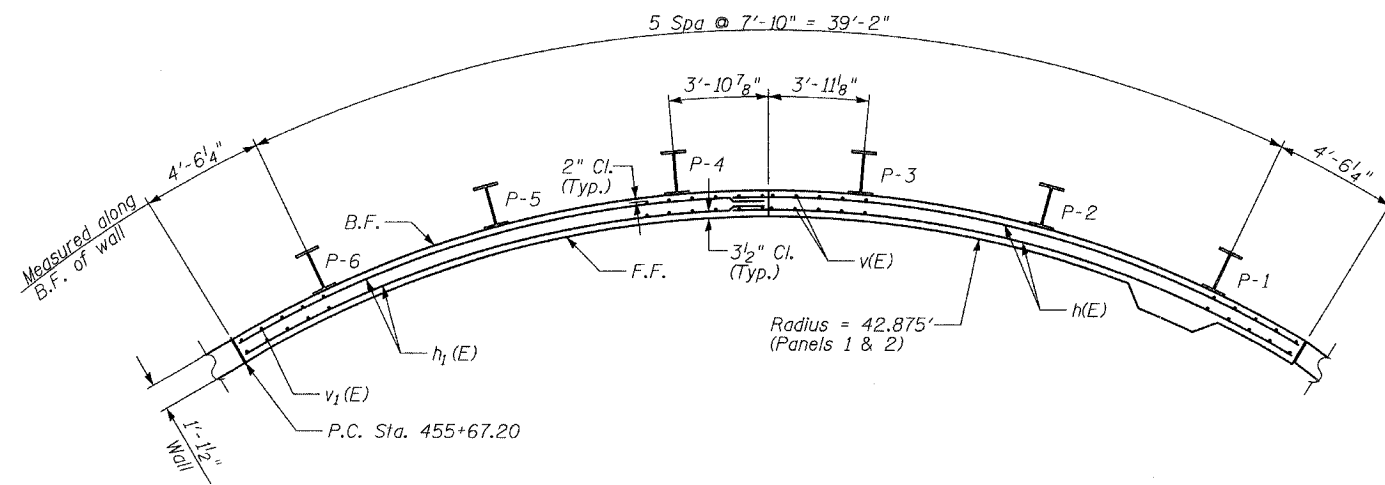
SHEET NO. - 5
30 - SHEETS



* See Cutting Diagram.
** Bend bars in field.
*** Cut Bars in Field

ELEVATION

(Looking At Front Face)



PLAN

NOTES:

1. B.F. denotes Back Face.
2. E.F. denotes Each Face.
3. F.F. denotes Front Face.
4. Work this sheet with Sheets 6 thru 8 of 30.
5. Pile spacing measured along back face of wall.
6. Offsets are measured from the NB Washington St. to the front face of wall.
7. See Sheet 8 for Light Pole Details.
8. See Sheet 13 for details and limits of architectural finish.
9. See Sheet 25 for railing details.

LAP SPLICES

Bar	Lap
#5	2'-2"

TYLIN INTERNATIONAL

DESIGNED	- DE
CHECKED	- SP
DRAWN	- TB
CHECKED	- SP

REVISIONS	
NAME	DATE

**WALL E - SOLDIER PILE
PLAN & ELEVATION
STA. 455+34.01 TO STA. 455+67.20**

WASHINGTON - 75TH STREET
F.A.U. ROUTE 2552
SECTION 00-00114-00-PV
DUPAGE COUNTY