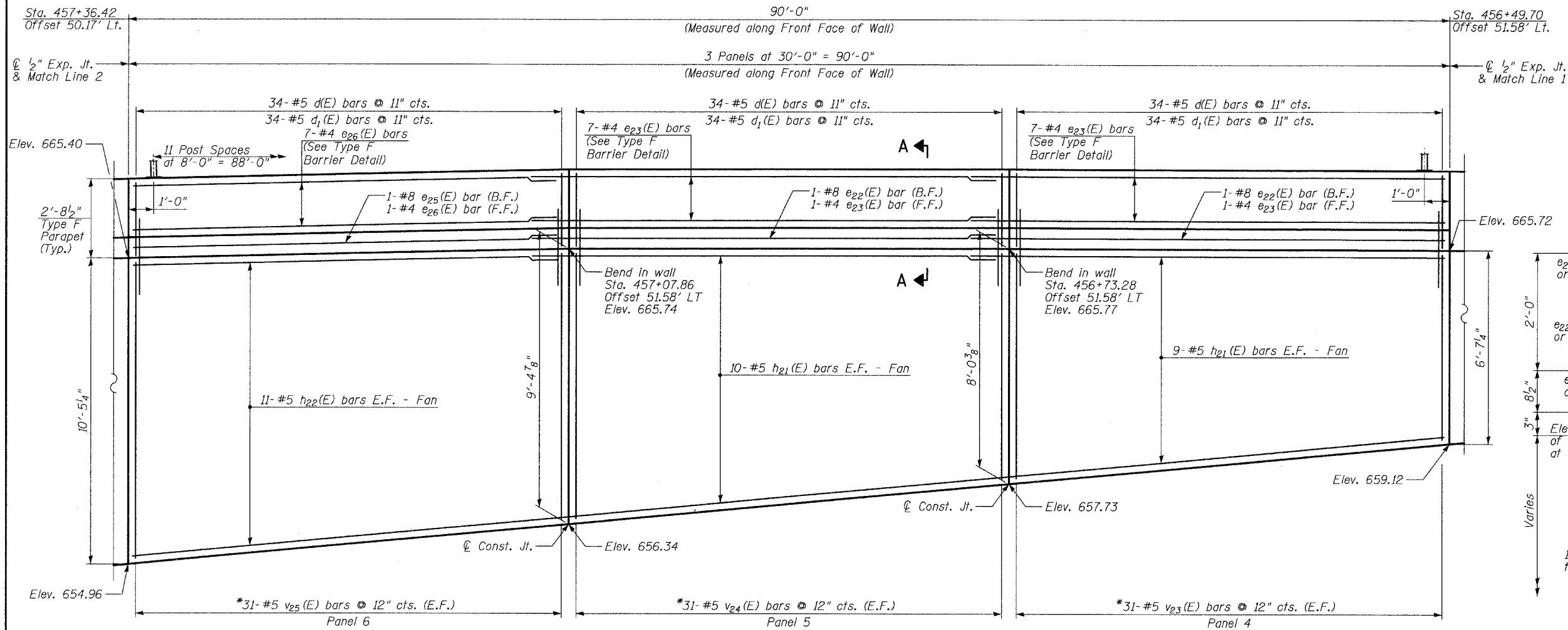
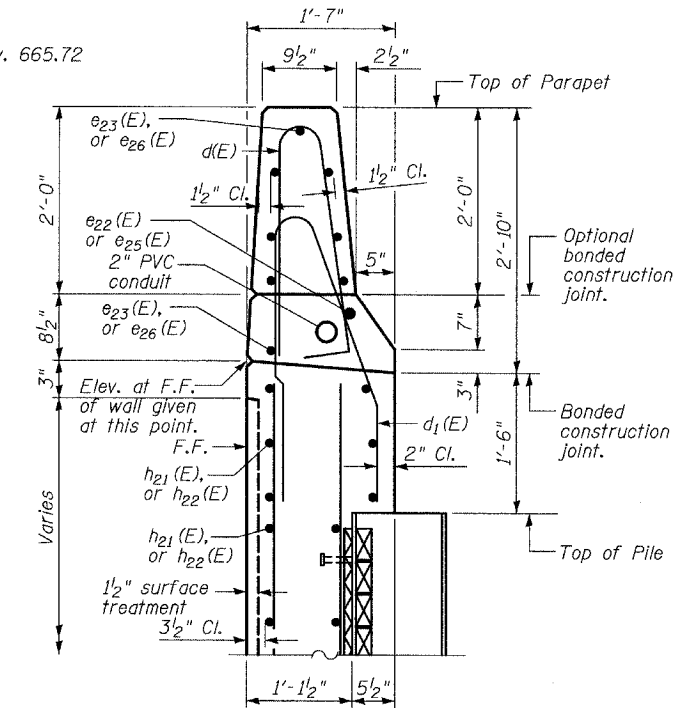


FULL ROUTE NO.	SECTION	COUNTY	TOTAL SHEETS	SHEET
2552	•	DUPAGE	563	420
FED. ROAD DIST. NO.	ILLINOIS	FED. AID PROJECT-		
	00-00114-00-PV	CONTRACT NO. 63024		

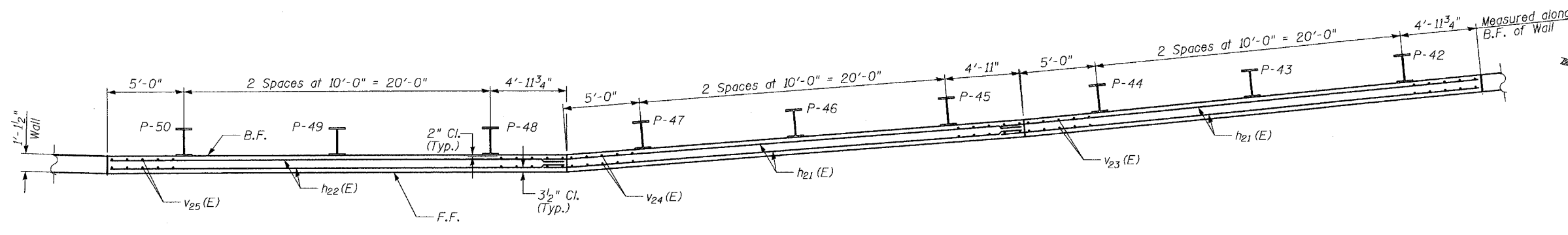
SHEET NO. - 10
30 - SHEETS



ELEVATION
(Looking At Front Face)



SECTION A-A
TYPE F BARRIER DETAIL
(Railing not shown)



PLAN
(Parapet Not Shown For Clarity)

LAP SPLICES

Bar	Lap
#4	1'-8"
#5	2'-2"
#8	4'-6"

TYLIN INTERNATIONAL

DESIGNED	- PL
CHECKED	- SP
DRAWN	- TB
CHECKED	- SP

- NOTES:**
1. B.F. denotes Back Face.
 2. E.F. denotes Each Face.
 3. F.F. denotes Front Face.
 4. Work this sheet with Sheets 9 thru 12 of 30.
 5. Pile spacing measured along back face of wall.
 6. Offsets are measured from the @ NB Washington St. to the front face of wall.
 7. See Sheet 13 for details and limits of architectural finish.
 8. See Sheet 25 for railing details.

REVISIONS	
NAME	DATE

WALL F - SOLDIER PILE
PLAN & ELEVATION
STA. 456+49.70 TO STA. 457+36.42

WASHINGTON - 75TH STREET
F.A.U. ROUTE 2552
SECTION 00-00114-00-PV
DUPAGE COUNTY