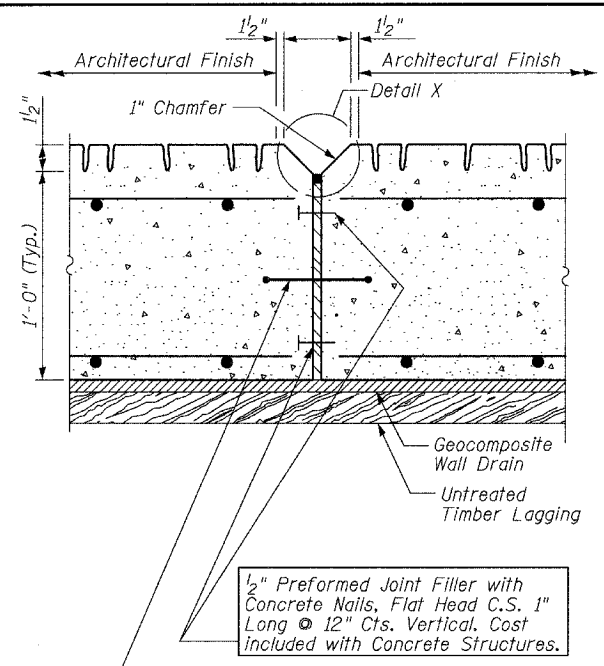


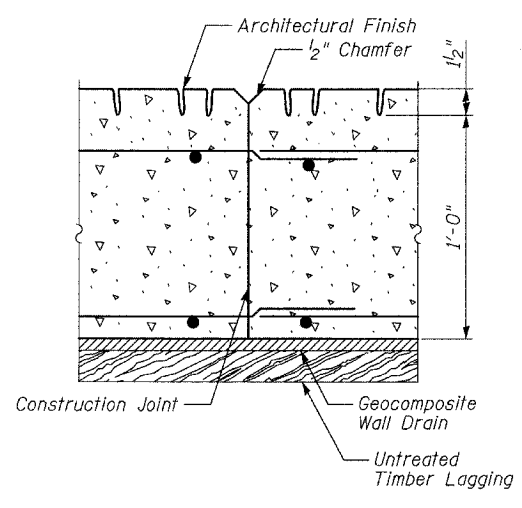
00-00114-00-PV CONTRACT NO. 63024  
**WALL F SOLDIER PILE BILL OF MATERIAL**

Bar	No.	Size	Length	Shape
d <sub>20</sub> (E)	402	#5	5'-7"	
d <sub>21</sub> (E)	402	#5	6'-3"	
e <sub>20</sub> (E)	2	#8	29'-9"	—
e <sub>21</sub> (E)	8	#4	26'-9"	—
e <sub>22</sub> (E)	7	#8	34'-8"	—
e <sub>23</sub> (E)	56	#4	31'-9"	—
e <sub>24</sub> (E)	8	#4	29'-9"	—
e <sub>25</sub> (E)	3	#8	29'-8"	—
e <sub>26</sub> (E)	24	#4	29'-8"	—
h <sub>20</sub> (E)	8	#5	27'-3"	—
h <sub>21</sub> (E)	142	#5	32'-3"	—
h <sub>22</sub> (E)	82	#5	29'-9"	—
v <sub>20</sub> (E)	26	#5	5'-2"	—
v <sub>21</sub> (E)	31	#5	8'-0"	—
v <sub>22</sub> (E)	31	#5	11'-2"	—
v <sub>23</sub> (E)	31	#5	14'-1"	—
v <sub>24</sub> (E)	31	#5	16'-10"	—
v <sub>25</sub> (E)	31	#5	19'-3"	—
v <sub>26</sub> (E)	31	#5	21'-2"	—
v <sub>27</sub> (E)	31	#5	22'-8"	—
v <sub>28</sub> (E)	31	#5	22'-0"	—
v <sub>29</sub> (E)	31	#5	19'-0"	—
v <sub>30</sub> (E)	31	#5	16'-2"	—
v <sub>31</sub> (E)	31	#5	16'-3"	—

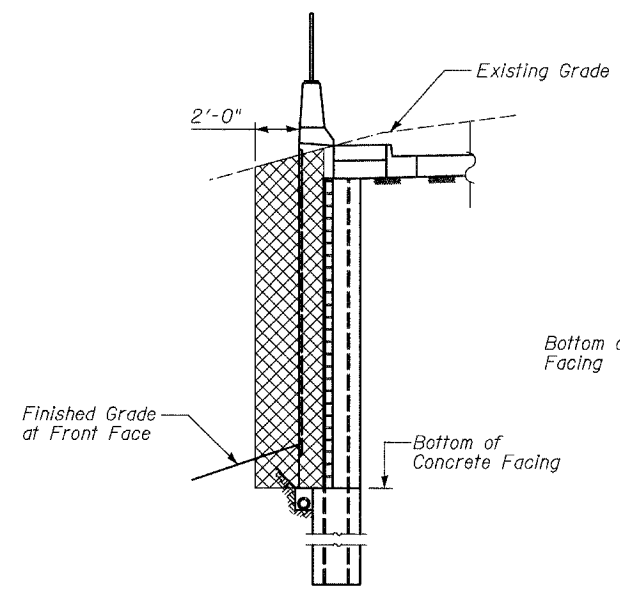
Structure Excavation	CU YD	151
Concrete Structures	CU YD	161
Protective Coat	SQ YD	146
Stud Shear Connectors	EACH	386
Untreated Timber Lagging	SQ FT	1,428
Reinforcement Bars, Epoxy Coated	POUND	21,700
Parapet Railing, Special	FOOT	355
Furnishing Soldier Piles (HP Section)	FOOT	141
Furnishing Soldier Piles (W Section)	FOOT	652
Geocomposite Wall Drain	SQ YD	263
Pipe Underdrains for Structures, 4"	FOOT	399
Drilling and Setting Soldier Piles (in Soil)	FOOT	2,189
Drilling and Setting Soldier Piles (in Rock)	FOOT	1,201
Form Liner Textured Surface	SQ YD	268
Anti-Graffiti Coating	SQ FT	2,412



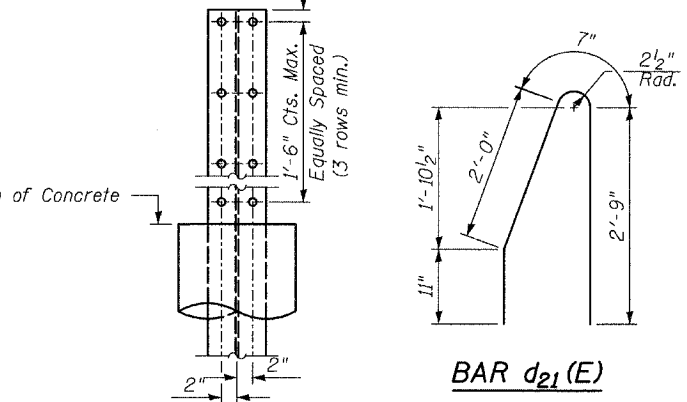
6" Hollow Bulb Type Non-Metallic Water Seal. Cost included with "Concrete Structures" Extend from bottom of facing to 6" below top of facing.



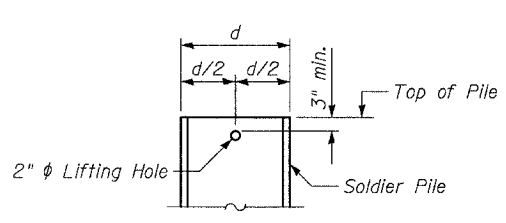
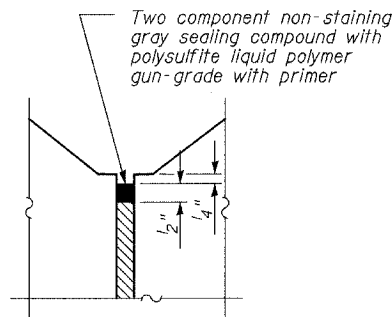
**CONSTRUCTION JOINT DETAIL**



**STRUCTURE EXCAVATION**  
(For Proposed Wall)

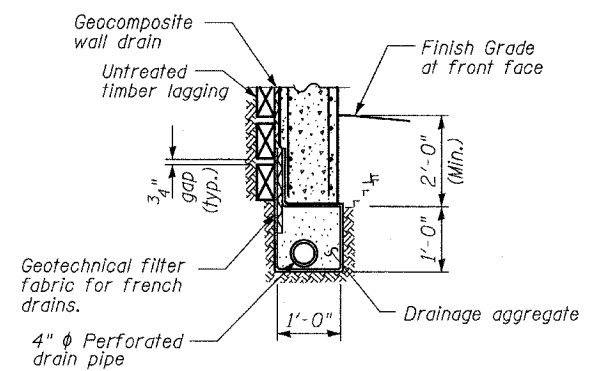


**SHEAR STUD CONNECTOR DETAIL**  
(Use 3/4" x 6" shear studs)

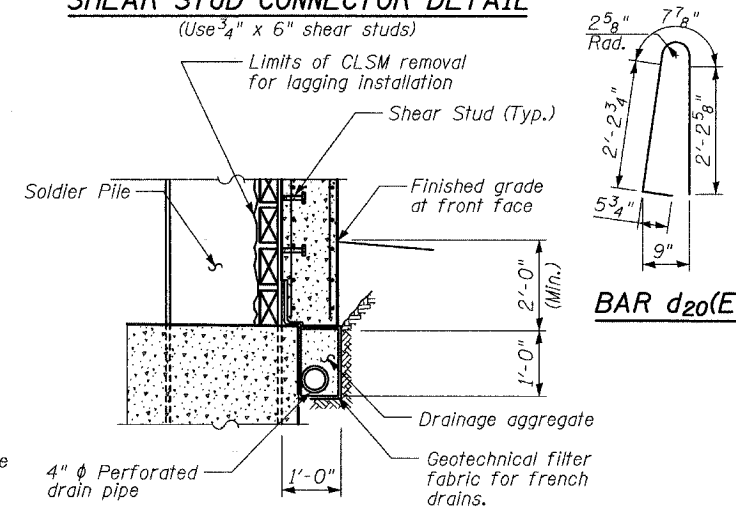


**LIFTING HOLE DETAIL**

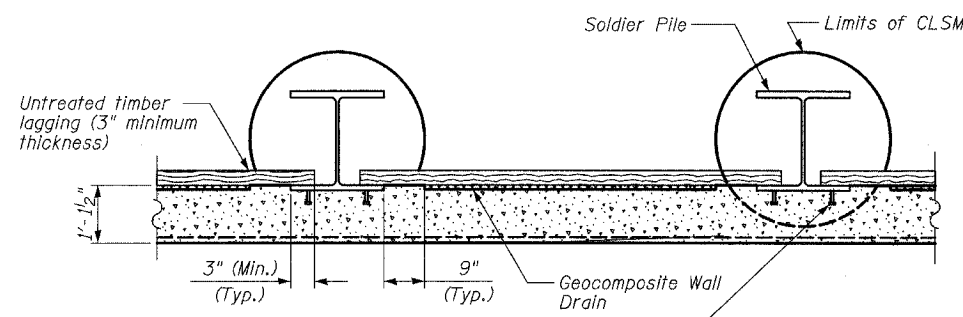
Lifting hole to be provided if necessary. Cost included with "Furnishing Soldier Piles (W-Section) or (HP-Section).



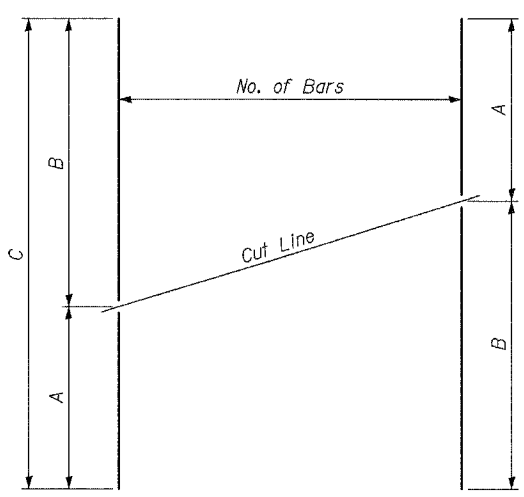
**PIPE UNDERDRAIN DETAIL BETWEEN SOLDIER PILES**



**PIPE UNDERDRAIN DETAIL AT SOLDIER PILE**



**TYPICAL SECTION THRU WALL**



**SERIES OF BAR CUTTING DIAGRAM**

See table for dimensions. Make all cuts normal to bar axis

**BAR TABLE SCHEDULE**

Bar	No. of Sets Req'd	No. of Bars Per Set	A	B	C
v <sub>20</sub> (E)	1	26	2'-0"	3'-2"	5'-2"
v <sub>21</sub> (E)	1	31	3'-2"	4'-10"	8'-0"
v <sub>22</sub> (E)	1	31	4'-10"	6'-4"	11'-2"
v <sub>23</sub> (E)	1	31	6'-4"	7'-9"	14'-1"
v <sub>24</sub> (E)	1	31	7'-9"	9'-1"	16'-10"
v <sub>25</sub> (E)	1	31	9'-1"	10'-2"	19'-3"
v <sub>26</sub> (E)	1	31	10'-2"	11'-0"	21'-2"
v <sub>27</sub> (E)	1	31	11'-0"	11'-8"	22'-8"
v <sub>28</sub> (E)	1	31	11'-8"	10'-4"	22'-0"
v <sub>29</sub> (E)	1	31	10'-4"	8'-8"	19'-0"
v <sub>30</sub> (E)	1	31	8'-8"	7'-6"	16'-2"
v <sub>31</sub> (E)	1	31	7'-6"	8'-9"	16'-3"

REVISIONS	
NAME	DATE

**WALLS E AND F - SOLDIER PILE MISCELLANEOUS DETAILS**

WASHINGTON - 75TH STREET  
F.A.U. ROUTE 2552  
SECTION 00-00114-00-PV  
DUPAGE COUNTY

**TYLIN INTERNATIONAL**

DESIGNED	- PL
CHECKED	- SP
DRAWN	- PL
CHECKED	- SP

**NOTES:**

- The geocomposite wall drain shall be constructed according to Section 591 of the Standard Specifications.
- Stud shear connectors shall be 3/4" φ x 6" granular or solid flux filled headed studs, automatically end welded to the front flange of the soldier piles.