

F.A.U. ROUTE NO.	SECTION	COUNTY	SHEET NO.	PAGE
2552	*	DUPAGE	563	425
FED. ROAD DIST. NO.	PROJECT	FED. AID PROJECT-		
	00-00114-00-PV	CONTRACT NO. 63024		

SHEET NO. - 15

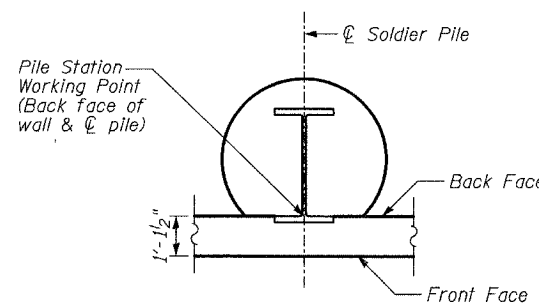
30 - SHEETS

PILE LAYOUT - WALL E

Pile	Station at Working Point	Offset	Top of Pile Elev.	Pile Tip Elev.	Pile Length (ft.)	Pile Type	Estimated Top of Rock Elev.	Pile Embedment in Soil (ft.)	Min. Embedment in Rock (ft.)	Soldier Pile Encasement diameter (in.)
P-1	455+34.44	94.58' Lt	663.46	636.46	27'-0"	W21x147	645.50	16.13'	9.00'	30"
P-2	455+38.06	87.64' Lt	663.40	636.49	26'-11"	W21x147	645.50	16.10'	9.00'	30"
P-3	455+42.85	81.46' Lt	663.34	636.43	26'-11"	W21x147	645.50	16.04'	9.00'	30"
P-4	455+48.66	76.22' Lt	663.32	636.49	26'-10"	W21x147	645.50	15.95'	9.00'	30"
P-5	455+55.31	72.09' Lt	663.33	636.42	26'-11"	W21x147	645.50	15.92'	9.00'	30"
P-6	455+62.58	69.21' Lt	663.34	636.43	26'-11"	W21x147	645.50	15.86'	9.00'	30"
P-7	455+70.11	67.50' Lt	663.20	636.45	26'-9"	W21x147	645.50	15.78'	9.00'	30"
P-8	455+77.80	66.03' Lt	662.84	636.42	26'-5"	W21x147	645.50	15.61'	9.00'	30"
P-9	455+85.52	64.70' Lt	662.48	636.48	26'-0"	W21x147	645.50	15.18'	9.00'	30"
P-10	455+93.27	63.53' Lt	662.12	636.45	25'-8"	W21x147	645.50	14.45'	9.00'	30"
P-11	456+01.03	62.51' Lt	661.75	636.50	25'-3"	W21x147	645.50	14.33'	9.00'	30"
P-12	456+08.82	61.64' Lt	661.38	636.46	24'-11"	W21x147	645.50	13.91'	9.00'	30"
P-13	456+16.62	60.92' Lt	661.01	636.42	24'-7"	W21x147	645.50	13.49'	9.00'	30"
P-14	456+24.43	60.36' Lt	660.64	636.55	24'-1"	W21x147	645.63	12.84'	9.00'	30"
P-15	456+32.25	59.95' Lt	660.27	636.85	23'-5"	W21x147	645.92	12.63'	9.00'	30"
P-16	456+40.08	59.69' Lt	659.90	637.15	22'-9"	W21x147	646.20	12.19'	9.00'	30"
P-17	456+47.91	59.59' Lt	659.53	637.44	22'-1"	W21x147	646.49	11.74'	9.00'	30"
P-18	456+56.12	59.58' Lt	659.16	639.07	20'-1"	HP14x89	646.60	11.12'	7.50'	30"
P-19	456+66.12	59.57' Lt	658.70	639.03	19'-8"	HP14x89	646.60	10.89'	7.50'	30"
P-20	456+75.83	59.57' Lt	658.24	639.07	19'-2"	HP14x89	646.60	10.43'	7.50'	30"
P-21	456+85.27	59.54' Lt	657.78	639.03	18'-9"	HP14x89	646.60	9.74'	7.50'	30"
P-22	456+94.72	59.49' Lt	657.33	639.08	18'-3"	HP14x89	646.60	9.51'	7.50'	30"
P-23	457+04.17	59.54' Lt	656.88	639.04	17'-10"	HP14x89	646.60	9.06'	7.50'	30"
P-24	457+13.54	59.30' Lt	656.46	639.29	17'-2"	HP14x89	646.80	8.38'	7.50'	30"
P-25	457+22.99	58.77' Lt	656.07	639.65	16'-5"	HP14x89	647.20	8.26'	7.50'	30"
P-26	457+32.44	58.32' Lt	655.68	640.09	15'-7"	HP14x89	647.60	8.00'	7.50'	30"
P-27	457+41.88	57.83' Lt	655.22	642.72	12'-6"	HP14x89	647.80	7.62'	5.00'	30"
P-28	457+51.33	57.29' Lt	654.69	642.78	11'-11"	HP14x89	647.80	7.36'	5.00'	30"
P-29	457+60.80	56.84' Lt	654.17	642.75	11'-5"	HP14x89	647.80	6.86'	5.00'	30"
P-30	457+70.23	56.35' Lt	653.67	642.76	10'-11"	HP14x89	647.80	6.11'	5.00'	30"
P-31	457+79.70	55.81' Lt	653.21	642.80	10'-5"	HP14x89	647.80	5.89'	5.00'	30"
P-32	457+89.18	55.36' Lt	652.76	642.76	10'-0"	HP14x89	647.80	5.46'	5.00'	30"

PILE LAYOUT - WALL F

Pile	Station at Working Point	Offset	Top of Pile Elev.	Pile Tip Elev.	Pile Length (ft.)	Pile Type	Estimated Top of Rock Elev.	Pile Embedment in Soil (ft.)	Min. Embedment in Rock (ft.)	Soldier Pile Encasement diameter (in.)
P-33	455+67.64	58.69' Lt	663.69	650.11	13'-7"	HP14x89	645.50	2.42'	0.00'	30"
P-34	455+77.46	56.82' Lt	663.71	649.63	14'-1"	HP14x89	645.50	2.89'	0.00'	30"
P-35	455+87.32	55.18' Lt	663.73	649.23	14'-6"	HP14x89	645.50	3.36'	0.00'	30"
P-36	455+97.23	53.79' Lt	663.79	648.71	15'-1"	HP14x89	645.50	3.88'	0.00'	30"
P-37	456+07.16	52.64' Lt	663.87	648.28	15'-7"	HP14x89	645.50	4.42'	0.00'	30"
P-38	456+17.12	51.73' Lt	663.94	647.86	16'-1"	HP14x89	645.50	4.96'	0.00'	30"
P-39	456+27.10	51.06' Lt	663.99	647.33	16'-8"	HP14x89	645.78	5.47'	0.00'	30"
P-40	456+37.09	50.64' Lt	664.04	646.87	17'-2"	HP14x89	646.15	5.97'	0.00'	30"
P-41	456+47.08	50.46' Lt	664.08	646.42	17'-8"	HP14x89	646.51	6.48'	0.00'	30"
P-42	456+54.68	50.45' Lt	664.10	638.02	26'-1"	W21x147	646.60	6.84'	8.50'	30"
P-43	456+64.68	50.44' Lt	664.12	638.03	26'-1"	W21x147	646.60	7.32'	8.50'	30"
P-44	456+74.50	50.44' Lt	664.13	638.05	26'-1"	W21x147	646.60	7.80'	8.50'	30"
P-45	456+83.96	50.40' Lt	664.14	638.05	26'-1"	W21x147	646.60	8.26'	8.50'	30"
P-46	456+93.49	50.35' Lt	664.13	638.04	26'-1"	W21x147	646.60	8.71'	8.50'	30"
P-47	457+03.03	50.40' Lt	664.12	638.03	26'-1"	W21x147	646.60	9.16'	8.50'	30"
P-48	457+12.54	50.17' Lt	664.06	638.06	26'-0"	W21x147	646.60	9.57'	8.50'	30"
P-49	457+22.06	49.65' Lt	663.94	638.03	25'-11"	W21x147	646.60	9.92'	8.50'	30"
P-50	457+31.60	49.23' Lt	663.83	638.08	25'-9"	W21x147	646.60	10.27'	8.50'	30"
P-51	457+41.08	48.74' Lt	663.68	636.76	26'-11"	W21x147	646.80	10.58'	10.00'	30"
P-52	457+50.62	48.19' Lt	663.49	637.16	26'-4"	W21x147	647.20	10.85'	10.00'	30"
P-53	457+60.17	47.74' Lt	663.30	637.55	25'-9"	W21x147	647.60	11.12'	10.00'	30"
P-54	457+69.69	47.24' Lt	663.09	637.76	25'-4"	W21x147	647.80	11.37'	10.00'	30"
P-55	457+79.24	46.69' Lt	662.87	637.79	25'-1"	W21x147	647.80	11.62'	10.00'	30"
P-56	457+88.79	46.24' Lt	662.65	637.74	24'-11"	W21x147	647.80	11.86'	10.00'	30"
P-57	457+98.34	45.74' Lt	662.42	637.75	24'-8"	W21x147	647.80	11.59'	10.00'	30"
P-58	458+07.90	45.20' Lt	662.17	637.76	24'-5"	W21x147	647.80	10.81'	10.00'	30"
P-59	458+17.48	44.75' Lt	661.93	637.76	24'-2"	W21x147	647.80	10.02'	10.00'	30"
P-60	458+27.01	44.26' Lt	661.64	639.22	22'-5"	W21x147	647.80	9.51'	8.50'	30"
P-61	458+36.59	43.71' Lt	661.30	639.22	22'-1"	W21x147	647.80	9.28'	8.50'	30"
P-62	458+46.17	43.27' Lt	660.97	639.22	21'-9"	W21x147	647.80	9.04'	8.50'	30"
P-63	458+55.75	42.78' Lt	660.63	639.30	21'-4"	W21x147	647.80	8.74'	8.50'	30"
P-64	458+65.34	42.25' Lt	660.30	639.22	21'-1"	W21x147	647.80	8.38'	8.50'	30"
P-65	458+75.06	41.81' Lt	659.97	639.22	20'-9"	W21x147	647.80	8.01'	8.50'	30"
P-66	458+85.05	41.36' Lt	659.62	639.21	20'-5"	W21x147	647.73	7.58'	8.50'	30"
P-67	458+95.04	40.86' Lt	659.26	639.10	20'-2"	W21x147	647.60	7.09'	8.50'	30"
P-68	459+05.02	40.37' Lt	658.90	638.90	20'-0"	W21x147	647.47	6.60'	8.50'	30"



SOLDIER PILE WORKING POINT

TYLIN INTERNATIONAL

DESIGNED	-	PL
CHECKED	-	SP
DRAWN	-	PL
CHECKED	-	SP

REVISIONS		WALLS E AND F - SOLDIER PILE PILE DETAILS
NAME	DATE	
		WASHINGTON - 75TH STREET F.A.U. ROUTE 2552 SECTION 00-00114-00-PV DUPAGE COUNTY