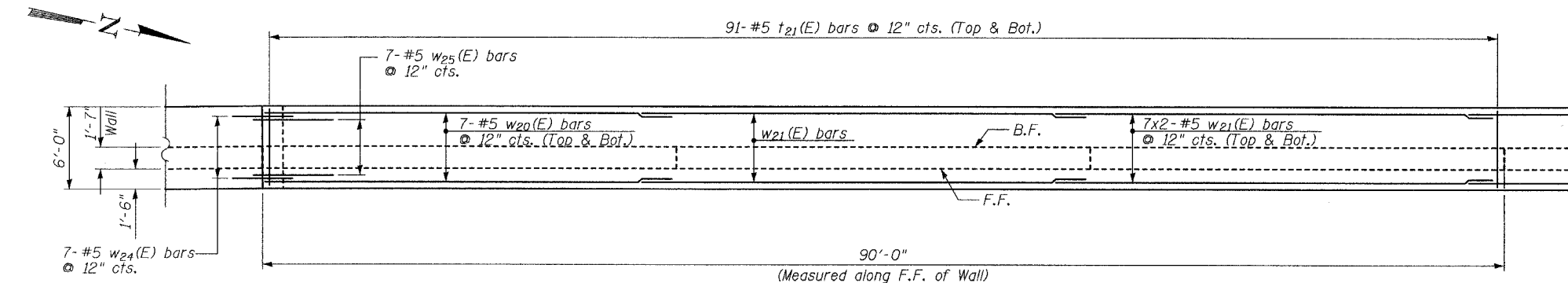
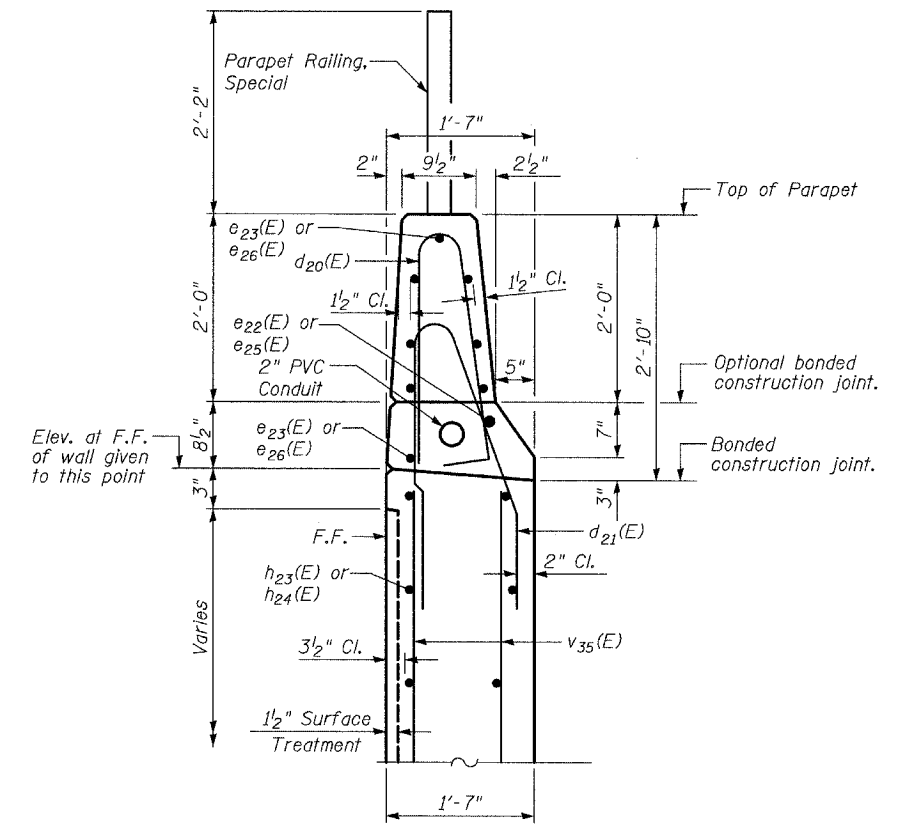


**ELEVATION**  
(Looking at Front Face)



**PLAN**



**SECTION C-C**  
**TYPE F BARRIER DETAIL**

**NOTES:**

1. B.F. denotes Back Face.
2. E.F. denotes Each Face.
3. F.F. denotes Front Face.
4. Work this sheet with Sheets 16 thru 23 of 30.
5. Offsets measured from NB Washington St. to the front face of wall.
6. See Sheet 24 for details and limits of architectural finish.
7. See Sheet 25 for railing details.

**TYLIN INTERNATIONAL**

DESIGNED	- DE
CHECKED	- SP
DRAWN	- DE
CHECKED	- SP

**LAP SPLICES**

Bar	Lap
#4	1'-8"
#5	2'-2"
#8	4'-6"

REVISIONS	
NAME	DATE

**WALL F- CANTILEVER WALL**  
**PLAN & ELEVATION**  
**STA. 462+69.85 TO STA. 463+59.85**

**WASHINGTON - 75TH STREET**  
**F.A.U. ROUTE 2552**  
**SECTION 00-00114-00-PV**  
**DUPAGE COUNTY**