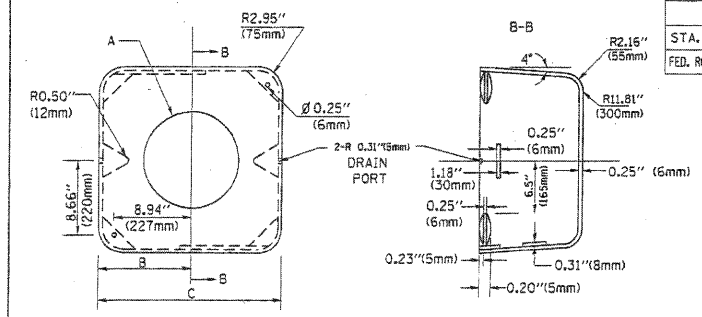
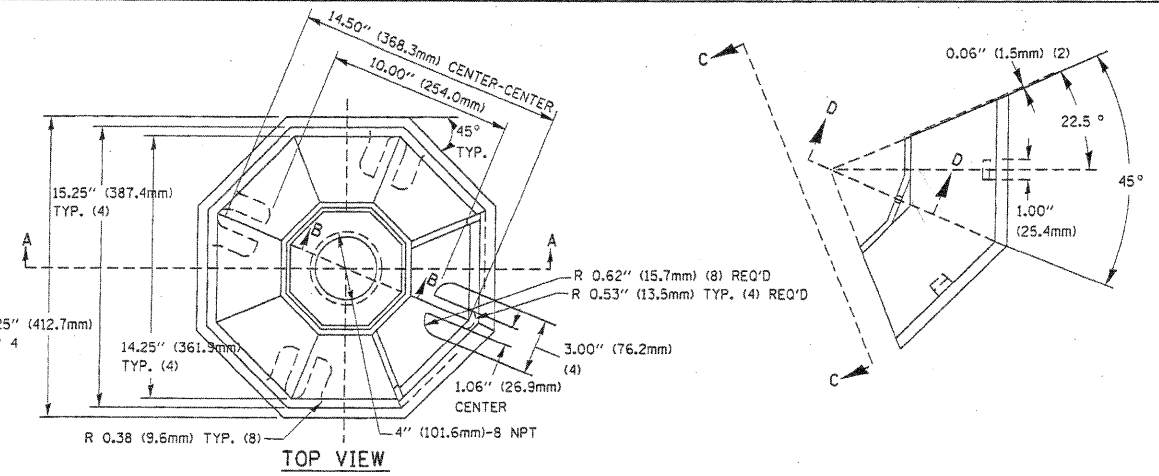
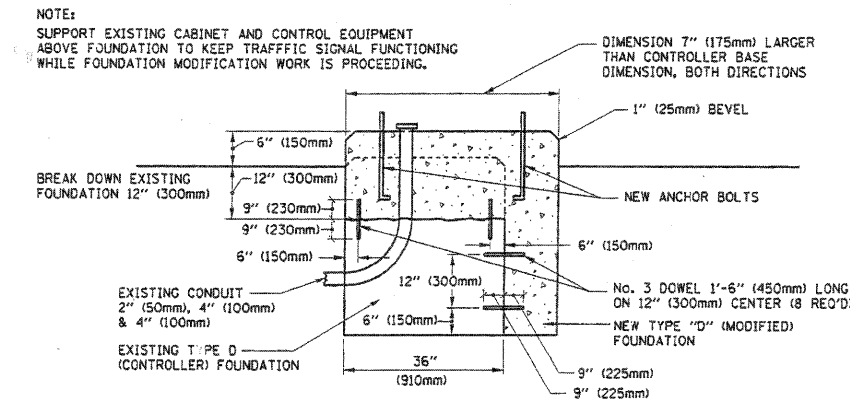


| | | | | |
|---------------------|---------------------------|--------|--------------|-----------|
| F.A. RTE. | SECTION | COUNTY | TOTAL SHEETS | SHEET NO. |
| | 06-00169-00-TL | COOK | 53 | 53 |
| STA. | TO STA. | | | |
| FED. ROAD DIST. NO. | ILLINOIS FED. AID PROJECT | | | |

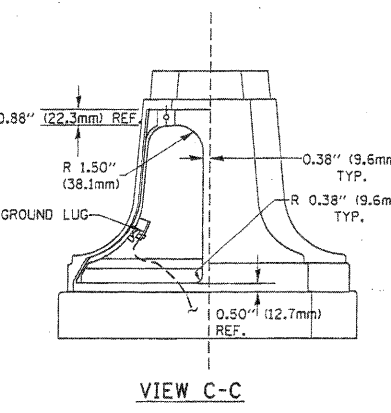
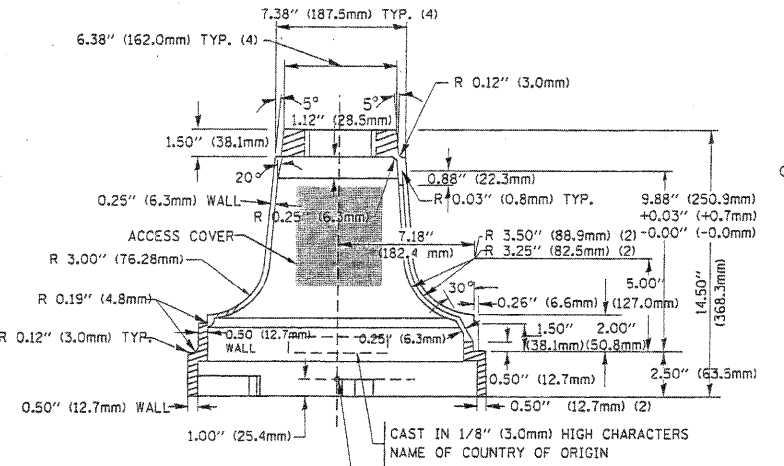


| TYPE | A | B | C | HEIGHT | WEIGHT |
|------|-------------------|----------------|---------------|-------------|--------|
| I | Ø 10.125" (257mm) | 9.5" (241mm) | 19" (483mm) | 12" (300mm) | 24kg |
| II | Ø 11.125" (283mm) | 10.75" (273mm) | 21.5" (546mm) | 12" (300mm) | 26kg |

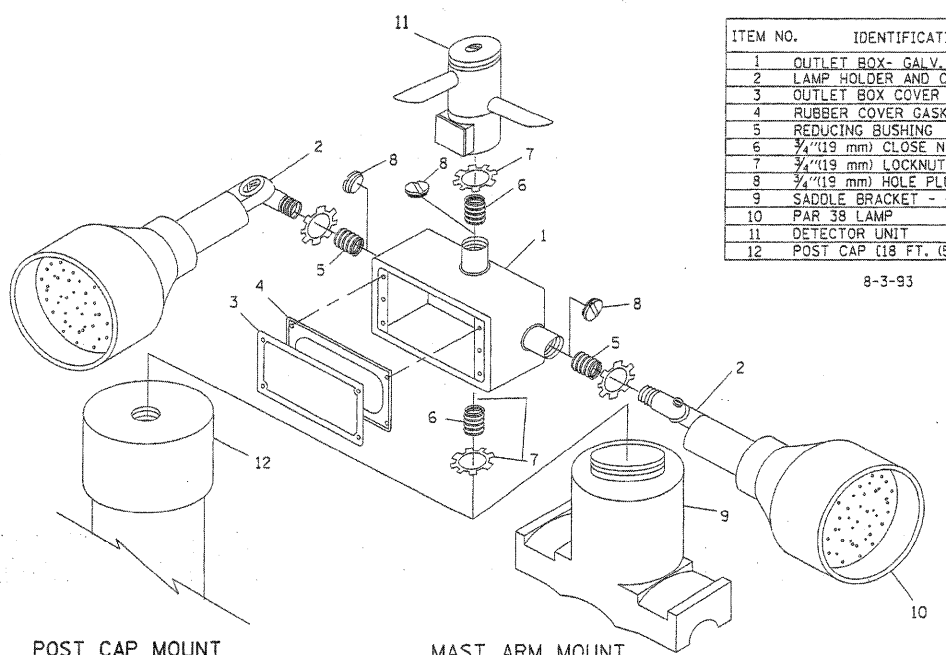


SECTION B-B

SECTION D-D



TRAFFIC SIGNAL POST - MOUNTING BASE - TYPE A

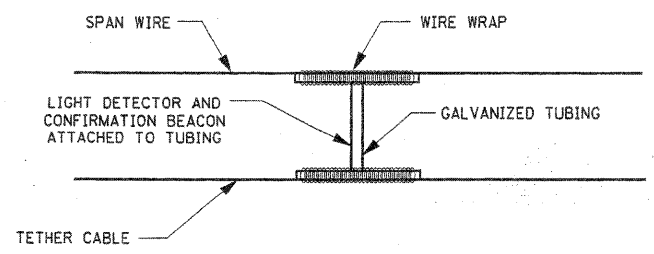


| ITEM NO. | IDENTIFICATION |
|----------|---|
| 1 | OUTLET BOX - GALV. 21 CU. IN. (0.000344 CU-M) |
| 2 | LAMP HOLDER AND COVER |
| 3 | OUTLET BOX COVER |
| 4 | RUBBER COVER GASKET |
| 5 | REDUCING BUSHING |
| 6 | 3/4" (19 mm) CLOSE NIPPLE |
| 7 | 3/4" (19 mm) LOCKNUT |
| 8 | 3/4" (19 mm) HOLE PLUG |
| 9 | SADDLE BRACKET - GALV. |
| 10 | PAR 38 LAMP |
| 11 | DETECTOR UNIT |
| 12 | POST CAP [18 FT. (5.4 m) POST MIN.] |

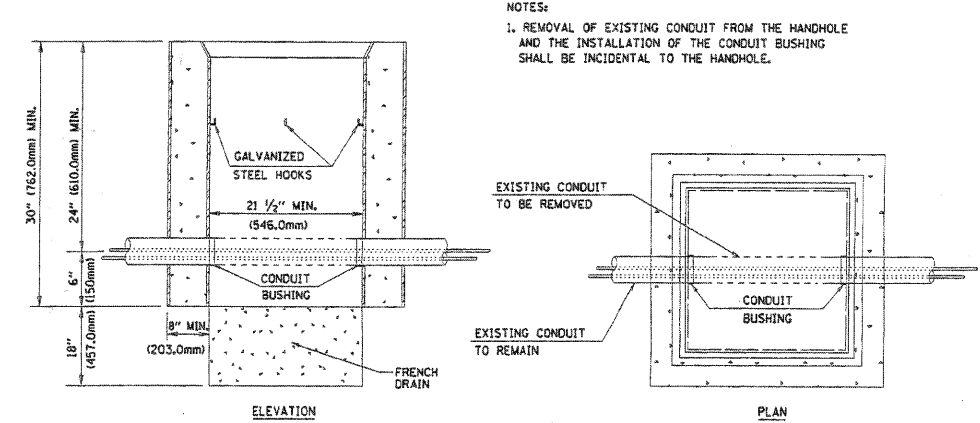
8-3-93

NOTES:

- ALL ELECTRICAL ITEMS, EXCEPT ITEMS #2 AND #11 SHALL BE ALUMINUM OR GALVANIZED
- ITEM #1- OZ/GEDNEY FSX-1-50 OR EQUIVALENT
 ITEM #2- MULBERRY CON-O-SHADE LAMP SHIELD OR EQUIVALENT
 ITEM #9- "BAND-IT" SADDLE BRACKET OR EQUIVALENT
- WHEN POST MOUNTING IS SPECIFIED, ITEM #9 SHALL NOT BE REQUIRED. THE DETECTION UNIT SHALL BE MOUNTED DIRECTLY ON TOP OF THE CAP BY DRILLING AND TAPPING A 3/4" (19 mm) HOLE WITH PIPE THREADS. THE POST CAP SHALL EITHER BE SCREWED TO THE TOP OF THE POST OR A MINIMUM OF 3 TIGHTENING SCREWS SHALL BE REQUIRED ON EACH CAP.



LIGHT DETECTOR AND CONFIRMATION BEACON MOUNTING FOR TEMPORARY TRAFFIC SIGNALS
(NOT TO SCALE)



DETAIL HANDHOLE TO INTERCEPT EXISTING CONDUIT
N.T.S.

| REVISIONS | |
|-----------|------|
| NAME | DATE |
| | |
| | |
| | |
| | |
| | |

ILLINOIS DEPARTMENT OF TRANSPORTATION
 DISTRICT 1
 STANDARD TRAFFIC SIGNAL
 DESIGN DETAILS

SCALE: VERT. NONE
 HORIZ. NONE
 DATE 1-01-02

DRAWN BY: RWP
 DESIGNED BY: DAD
 CHECKED BY: DAZ
 SHEET 4 OF 4