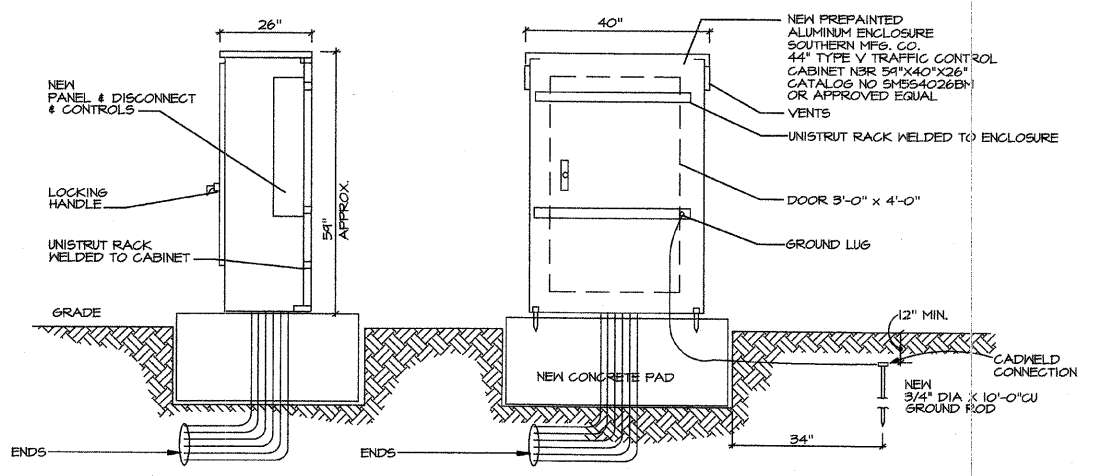
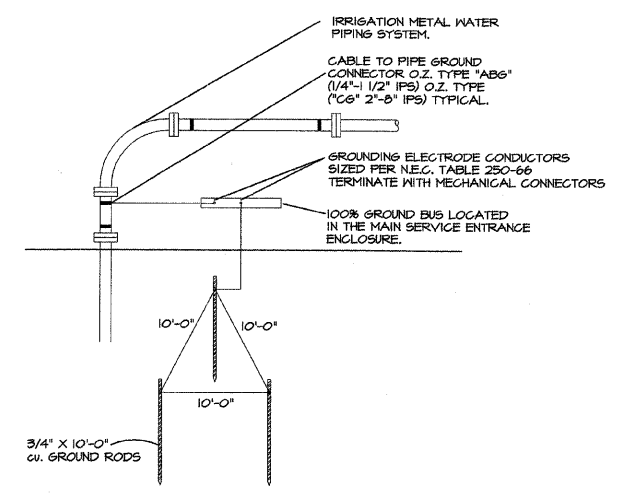


BY	JPG	6-19-08
DATE	JPG	6-24-08
PER IDOT COMMENTS	JPG	7-18-08
PER IDOT COMMENTS	JPG	7-25-08
PER IDOT COMMENTS	JPG	



ELECTRICAL SERVICE ENCLOSURE
SCALE: N.T.S.



DETAIL - GROUNDING ELECTRODE SYSTEM
SCALE: N.T.S.

PANEL	LPI	VOLTS	120/240	PHASE	1Ø3W
AMPS	200	MAIN	200A MCB	A.I.C.	22,000
LOCATION	ELECTRICAL SERVICE ENCLOSURE		MOUNTING	SURFACE	

CKT. #	POLE	TRIP	MISC	C.D.	LTS	LOCATION	KVA	KVA	LOCATION	LTS	C.D.	MISC	TRIP	POLE	CKT. #		
1	1	20			1	TENNIS COURT #A1			TENNIS COURT #A3	3			20	1	2		
3	1	20			3	TENNIS COURT #A2			TENNIS COURT #A4	3			20	1	4		
5	1	20				SPARE			SPARE				20	1	6		
7	1	20				SPARE			SPARE				20	1	8		
9	1	20				OUTLET		SPARE	OUTLET				20	1	10		
11	1	20				WARNING LIGHT		SPARE	CONTROL CCT				20	1	12		
13						SPACE			SPACE						14		
15						SPACE			SPACE						16		
17						SPACE			SPACE						18		
19						SPACE			SPACE						20		
21						SPACE			SPACE						22		
23						SPACE			SPACE						24		
25						SPACE			SPACE						26		
27						SPACE			SPACE						28		
29						SPACE			SPACE						30		
TOTAL =							= TOTAL		TOTAL KVA =							TOTAL AMPS =	

OPERATIONAL SEQUENCE

- ELECTRONIC TIME CLOCK AND PHOTOCELL ENERGIZES 120V CONTROL CIRCUIT TO WP PUSHBUTTON STATION AT EACH TENNIS COURT.
- DEPRESSING WP PUSHBUTTON AT TENNIS COURT CLOSES CONTACT ON TIMER, HOURMETER AND LIGHTING CONTACTOR TURNING ON TENNIS COURT LIGHTS. TIMER BEGINS DUAL COUNTDOWN: 1 HOUR DURATION FOR TENNIS COURT LIGHTING TO REMAIN ON AND 55 MINUTES DURATION AT WHICH TIME THE LIGHTING RELAY IS ENERGIZED CAUSING THE RED BEACON LIGHT TO BEGIN FLASHING FOR A LENGTH OF 5 MINUTES.

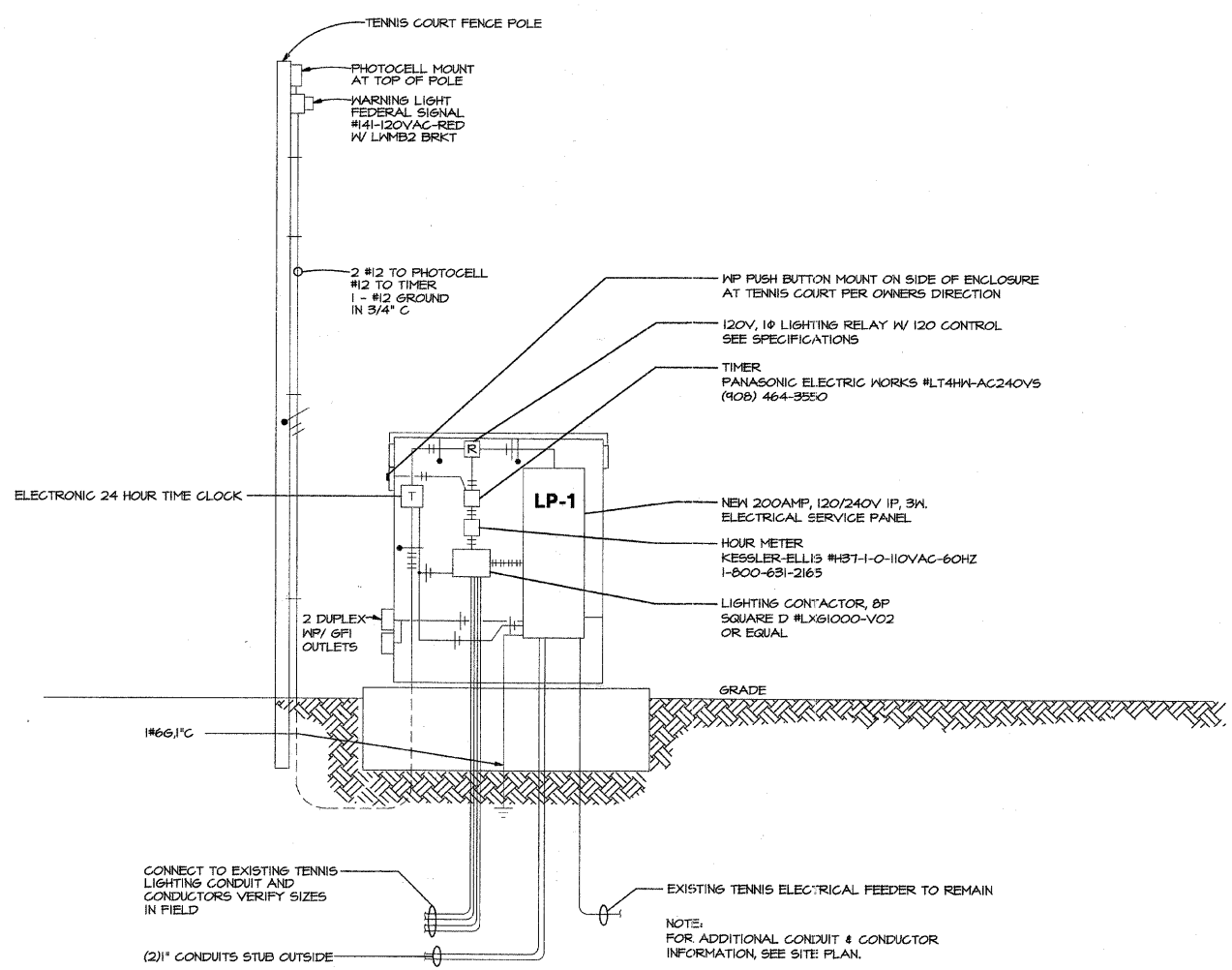
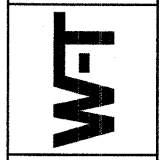


DIAGRAM - ELECTRICAL SERVICE
SCALE: N.T.S.

W-T CIVIL ENGINEERING, LLC.
CIVIL AND STRUCTURAL ENGINEERS
2875 Pratum Avenue
Hoffman Estates, Illinois 60192
PH: (224) 295-6333 FAX: (224) 295-6444
www.wtengineering.com
IL License No.: 184-003492 Exp: 04/30/09



SPRING ROCK PARK
CENTRAL AVE & 47TH ST
WESTERN SPRINGS, IL

TENNIS COURT
ELECTRICAL
DETAILS

DATE: 05/23/08
SCALE: 1" = 50'
DRAWN: JPG
CHECK: TOA
JOB: CE06316
SHEET

FIELD ENGINEER: MARILIN SOLOMON 847-705-4407