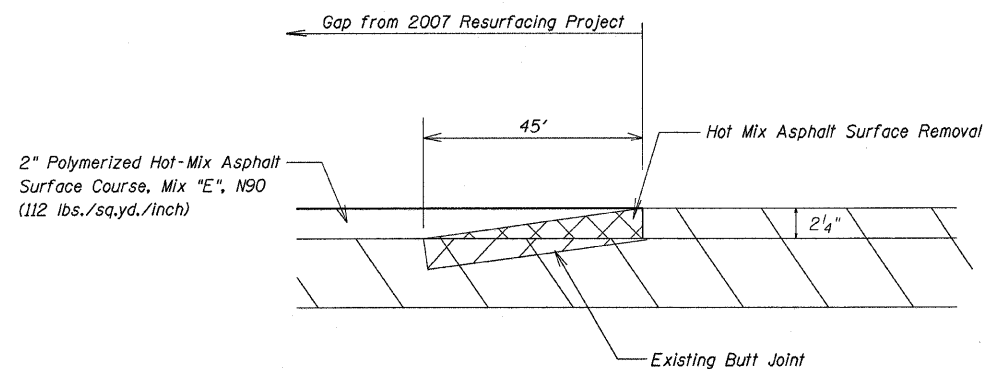
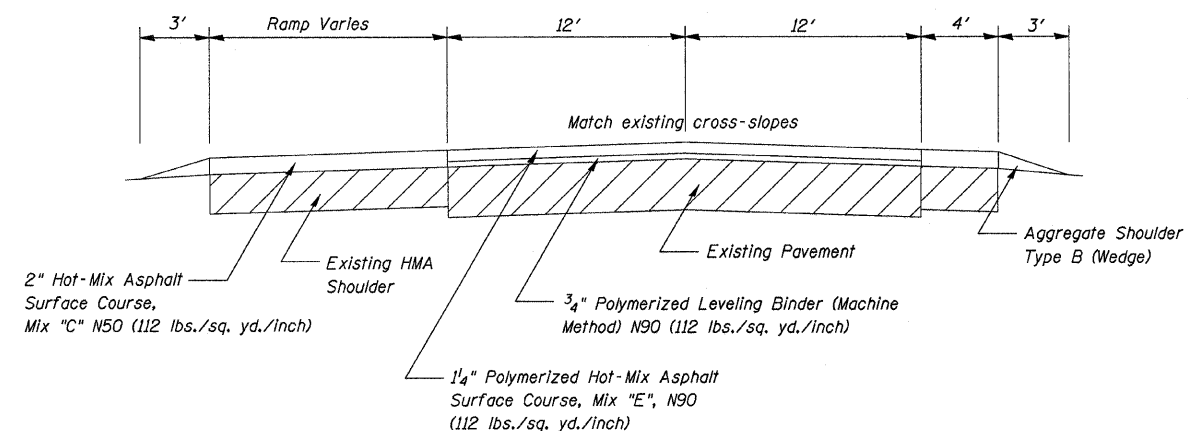


US 20 Typical Taper Butt Joint

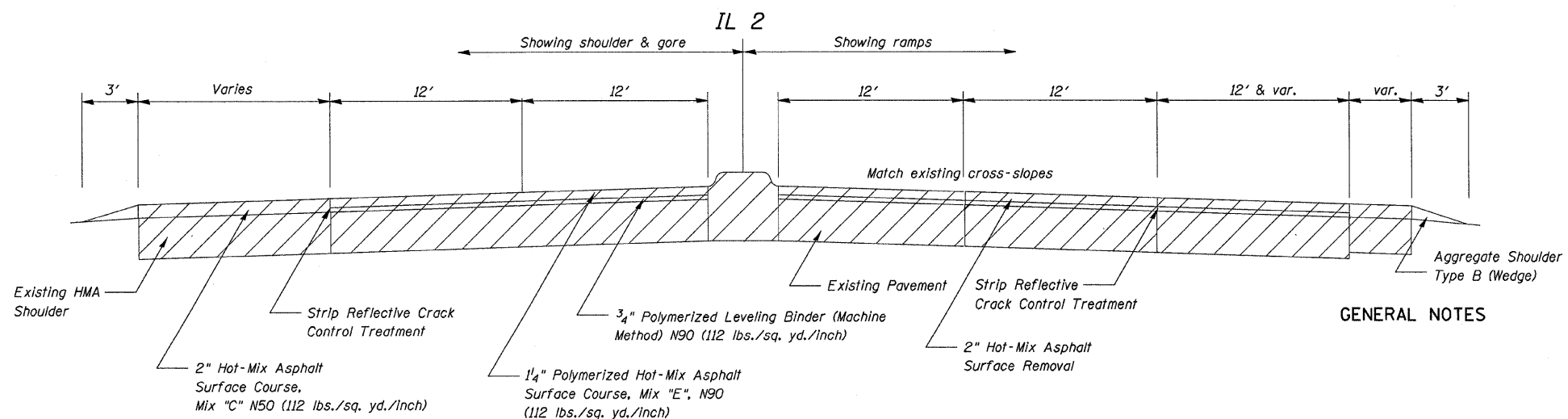
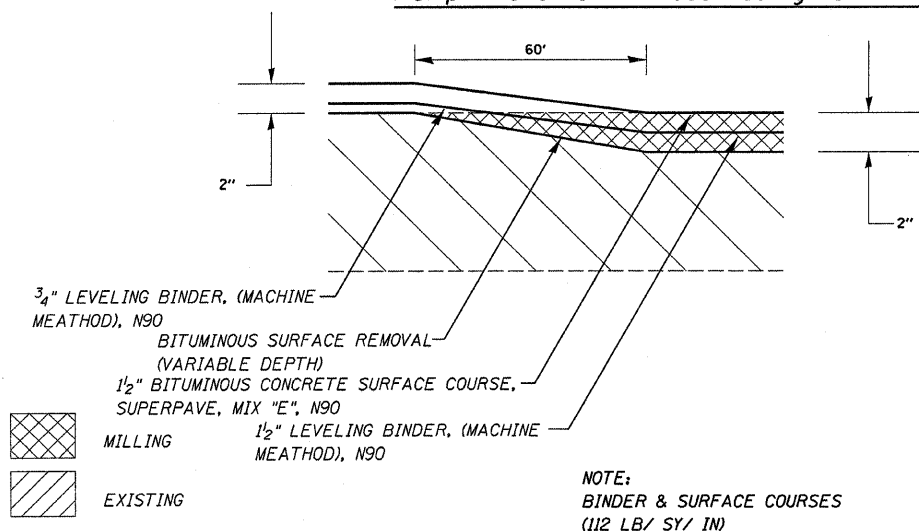


TYPICAL SECTIONS

US 20



Ramp Transition - Resurfacing to Milling



GENERAL NOTES

FILE NAME =	USER NAME = linkdj	DESIGNED -	REVISED -
D:\BR\CADD plans\Winnebago County\1810055 & 0056\03-181-0055\56-General Notes.dgn		DRAWN -	REVISED -
PLOT SCALE = 0 15/16" = 1'		CHECKED -	REVISED -
PLOT DATE = Mon Jul 28 06:22:58 2008		DATE -	REVISED -

**STATE OF ILLINOIS
DEPARTMENT OF TRANSPORTATION**

Typical Sections		
SCALE: _____	SHEET NO. ____ OF ____ SHEETS	STA. _____ TO STA. _____

F.A. RTE. 301	SECTION (3HB)M-1	COUNTY Winnebago	TOTAL SHEETS 13	SHEET NO. 4
FED. ROAD DIST. NO. _____ ILLINOIS FED. AID PROJECT				
CONTRACT NO. 64E16				