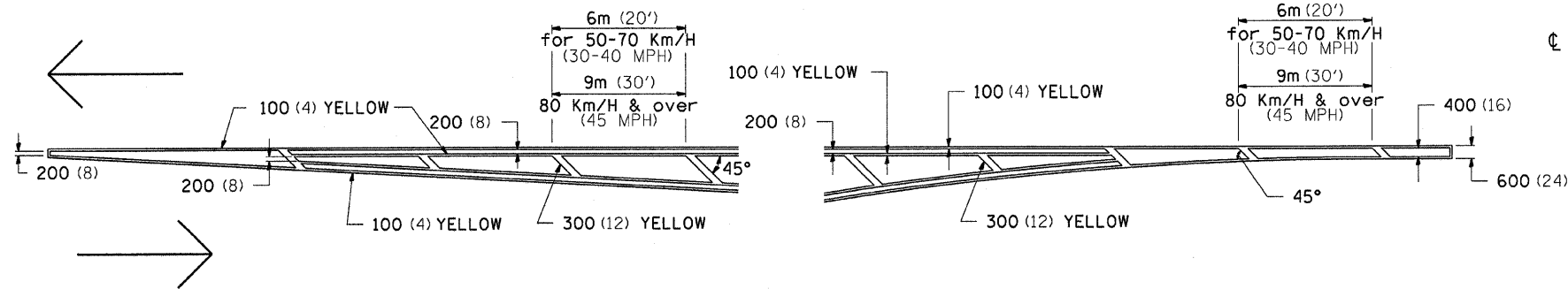
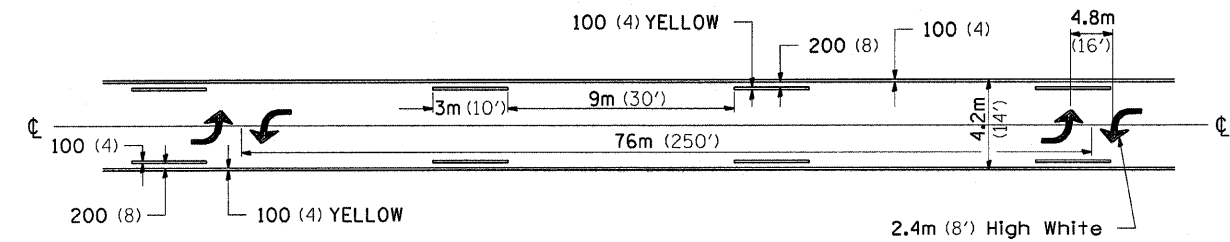


# TYPICAL PAVEMENT MARKINGS

## TYPICAL PAVEMENT MARKING FOR FLUSH MEDIAN AT LEFT TURN LANE

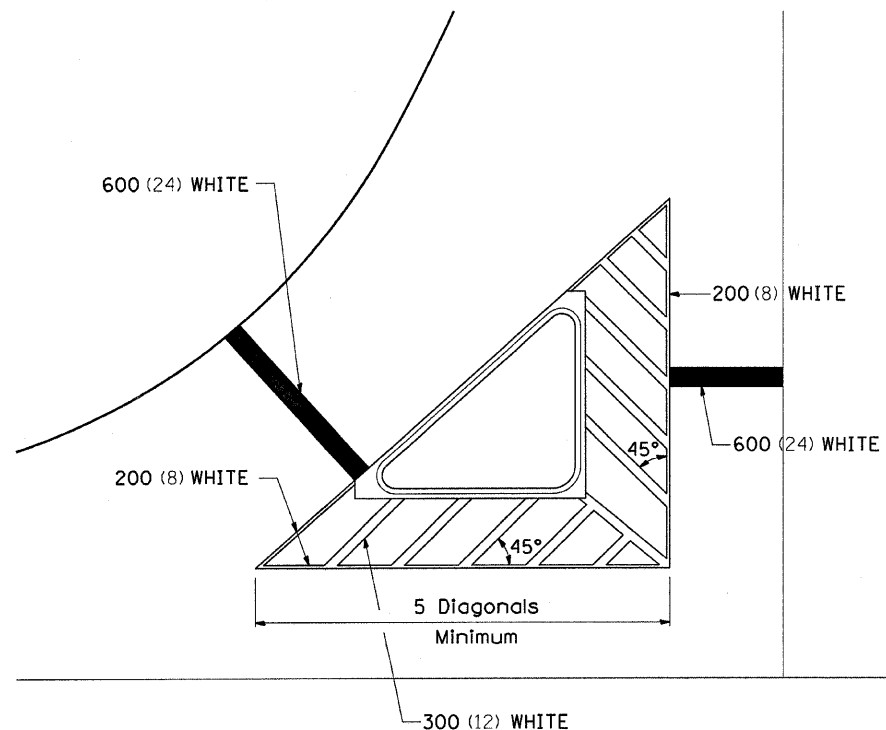


## MEDIAN PAVEMENT MARKING

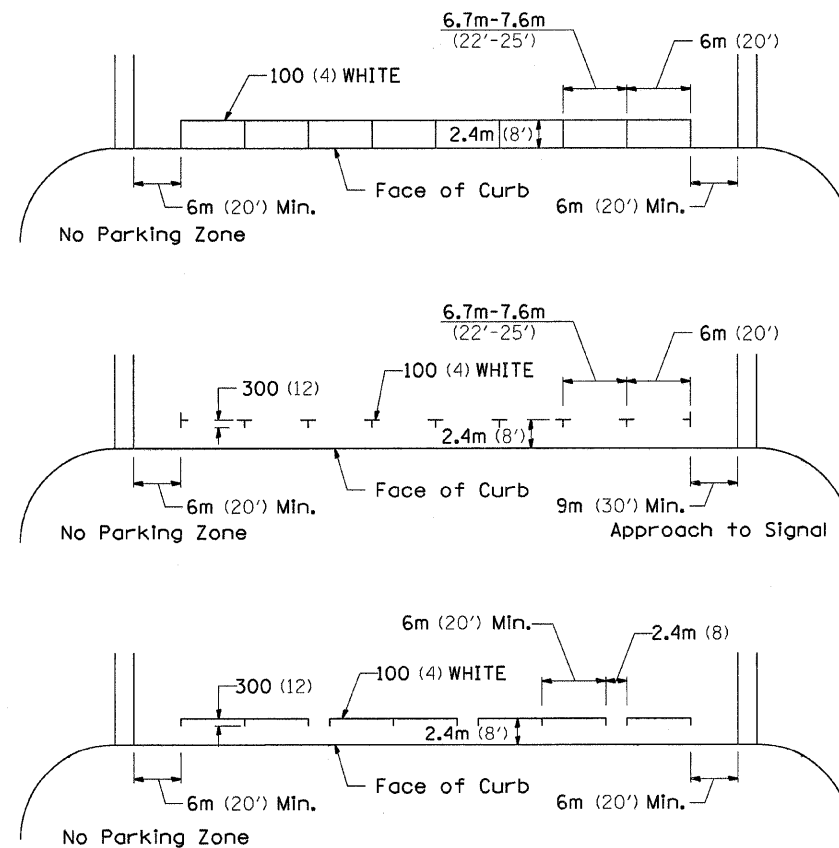


•• ALL DIMENSIONS ARE IN MILLIMETERS (INCHES) UNLESS OTHERWISE NOTED.

## TYPICAL ISLAND OFFSET SHOULDER WIDTH

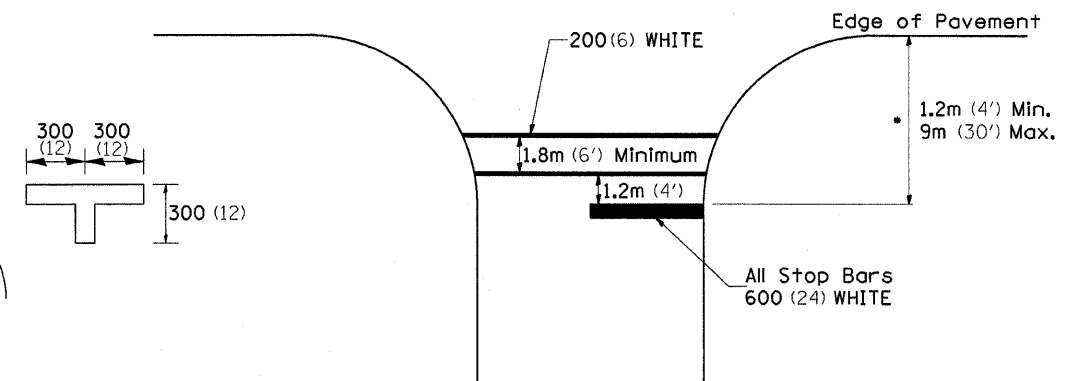


## TYPICAL PARKING SPACING



## STANDARD CROSSWALK MARKING

See Schedules for Locations



• Distance to the nearest edge of the intersecting roadway in the absence of a marked crosswalk.

FILE NAME =	USER NAME = linkdj	DESIGNED -	REvised - 1-J1-08
D:\BR\CADD plans\Winnebago County\1010055 & 0056\01-101-0055&56.Coversheet.dgn		DRAWN -	REvised -
		CHECKED -	REvised -
		DATE -	REvised -

STATE OF ILLINOIS  
DEPARTMENT OF TRANSPORTATION

REGION 2 / DISTRICT 2 STANDARD

SCALE: SHEET NO. OF SHEETS STA. TO STA.

F.A. RTE.	SECTION	COUNTY	TOTAL SHEETS	SHEET NO.
301	(38)M-1	WINNEBAGO	136	136
FED. ROAD DIST. NO. ILLINOIS FED. AID PROJECT			CONTRACT NO. 64E16	