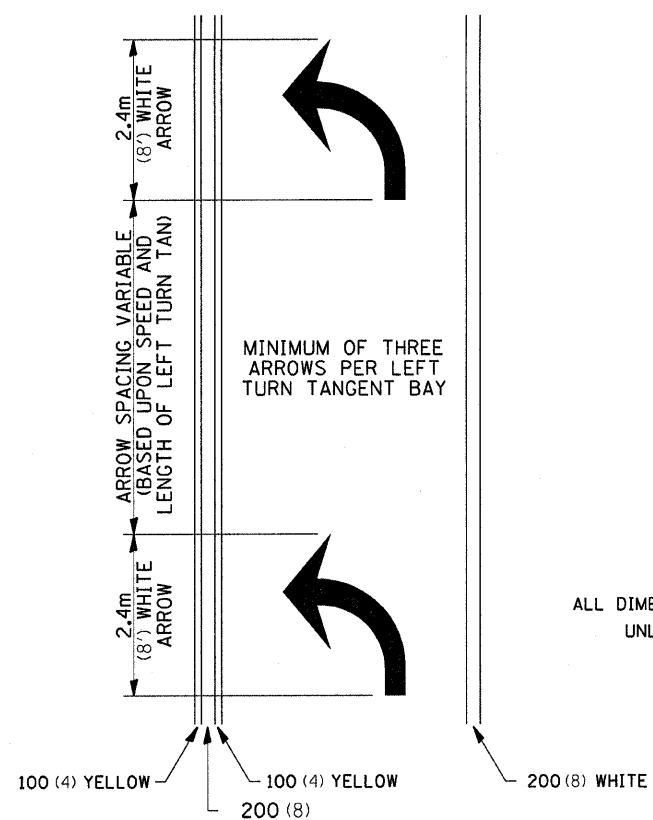


TYPICAL PAVEMENT MARKINGS

ARROW LAYOUT

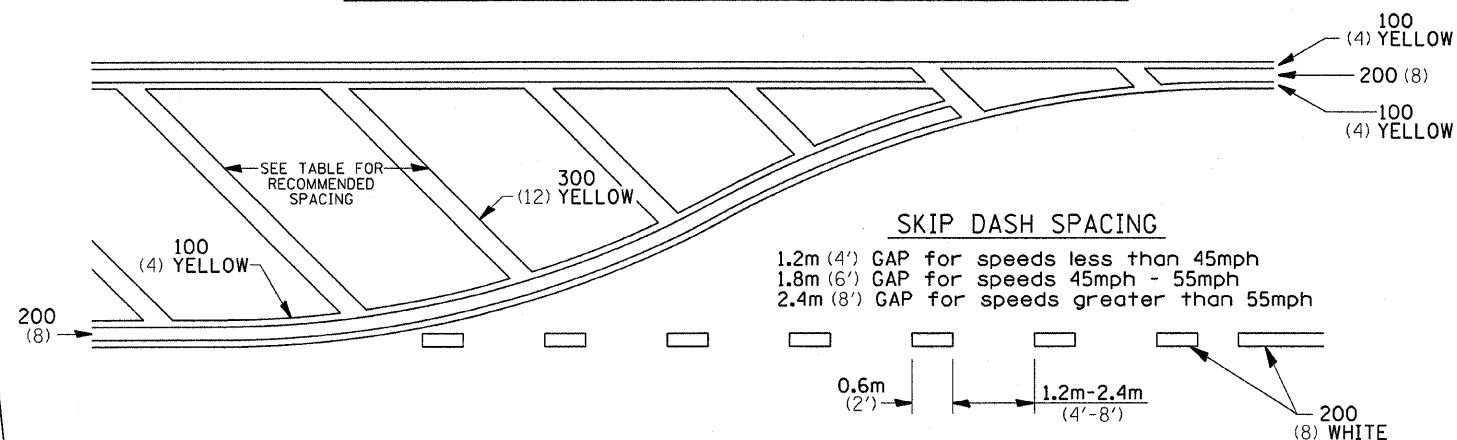


- ◀ ONE-WAY AMBER MARKER
- ◁ ONE-WAY CRYSTAL MARKER
- ◆ TWO-WAY AMBER MARKER

ALL DIMENSIONS ARE IN MILLIMETERS (INCHES) UNLESS OTHERWISE NOTED.

12.2m
6 at (40') O.C.
APPROACH SIDE ONLY

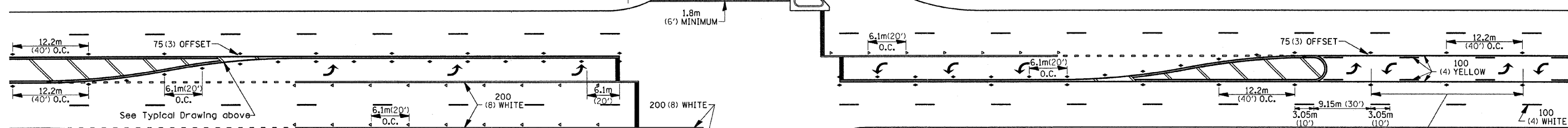
TYPICAL PAVEMENT MARKING FOR FLUSH MEDIAN



RECOMMENDED SPACING BETWEEN DIAGONALS (IN FEET)

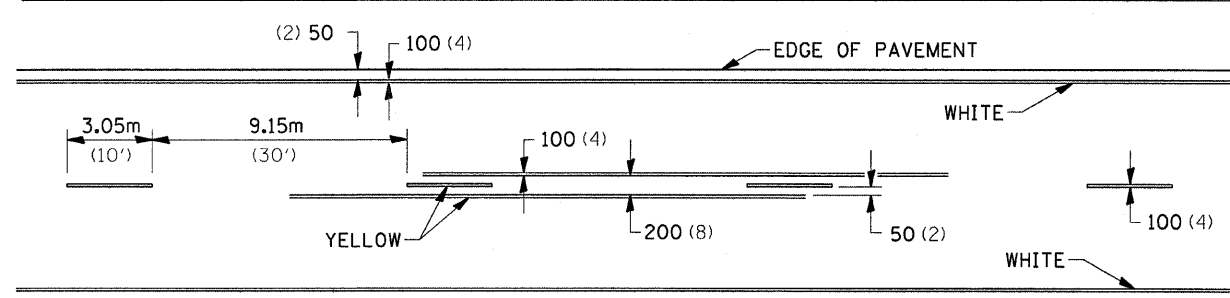
Speed Limit Range	Continuous Median Area	Intersection Channelization	Objects (Islands)
less than 50km/H (30MPH)	15.3m (50')	4.53m (15')	3.05m (10')
50-60km/H (30-40MPH)	22.9m (75')	6.1m (20')	4.53m (15')
70km/H (45MPH) & over	22.9m (75')	9.05m (30')	6.1m (20')

NOTE: If the spacing recommended in the Table does not permit at least five diagonal lines in the area being marked, the spacing from the next lowest speed range should be used. The recommended spacing is measured parallel to the pavement center line.

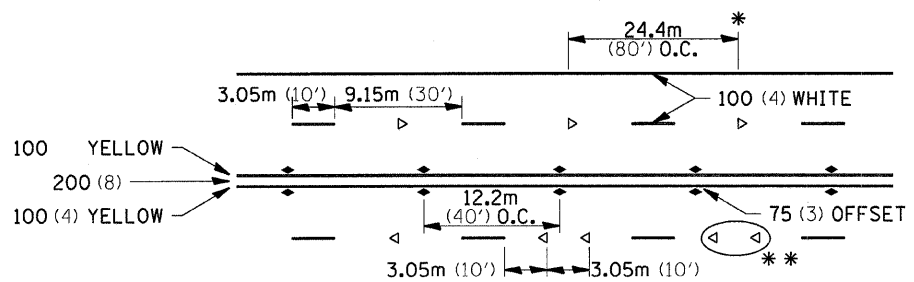


MINIMUM OF TWO PAIRS OF ARROWS. ADDITIONAL PAIRS EVERY 200'-300'.

TYPICAL PAVEMENT MARKING FOR TWO LANE SECTION - NO PASSING ZONES



SYMBOLS



- REDUCE TO 12.2m (40') O.C. ON CURVES WHERE ADVISORY SPEEDS ARE 15km/H (10MPH) LOWER THAN POSTED SPEEDS.
- USE DOUBLE MARKERS WHEN ADT ≥ 25,000

MULTI-LANE / UNDIVIDED

12.2m
6 at (40') O.C.
APPROACH SIDE ONLY

FILE NAME =	USER NAME = lankdj	DESIGNED - ---	REVISED - 1-J1-08
D:\BRY\CADD plans\Winnebago County\1810055 & 0056\01-101-0055&56.Coversheet.dgn		DRAWN - ---	REVISED - ---
PLOT SCALE = 48.8349' / IN.		CHECKED - ---	REVISED - ---
PLOT DATE = Mon Jul 28 06:33:50 2008		DATE - ---	REVISED - ---

STATE OF ILLINOIS
DEPARTMENT OF TRANSPORTATION

REGION 2 / DISTRICT 2 STANDARD

SCALE: -----	SHEET NO. ___ OF ___ SHEETS	STA. _____ TO STA. _____	F.A. RTE. 301	SECTION (38)M-1	COUNTY WINNEBAGO	TOTAL SHEETS 130	SHEET NO. 130
--------------	-----------------------------	--------------------------	---------------	-----------------	------------------	------------------	---------------