

BENCHMARK: WHITE PAINT MARK ON TOP OF CONCRETE WINGWALL
ELEV. = 100.00 FT. (ASSUMED)

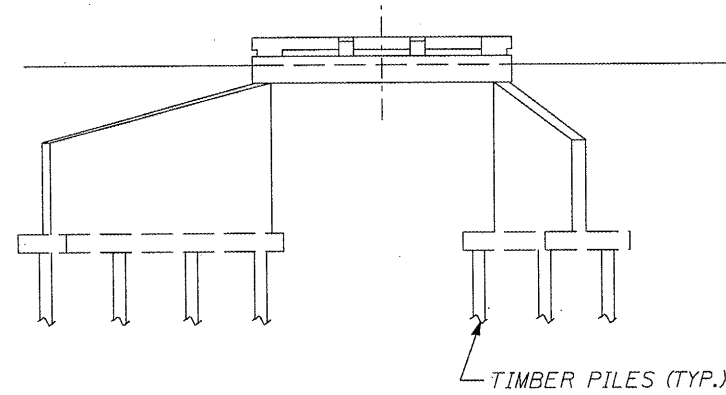
EXISTING STRUCTURE: SN 029-0002 IS A 44'-0" WIDE BY 21'-4" LONG R.C. SLAB ON R.C. CLOSED ABUTMENTS.

ROUTE NO.	SECTION	COUNTY	TOTAL SHEETS	SHEET NO.
VAR	*	VAR	66	5
FED. ROAD DIST. NO. 4		ILLINOIS	FED. AID PROJECT	

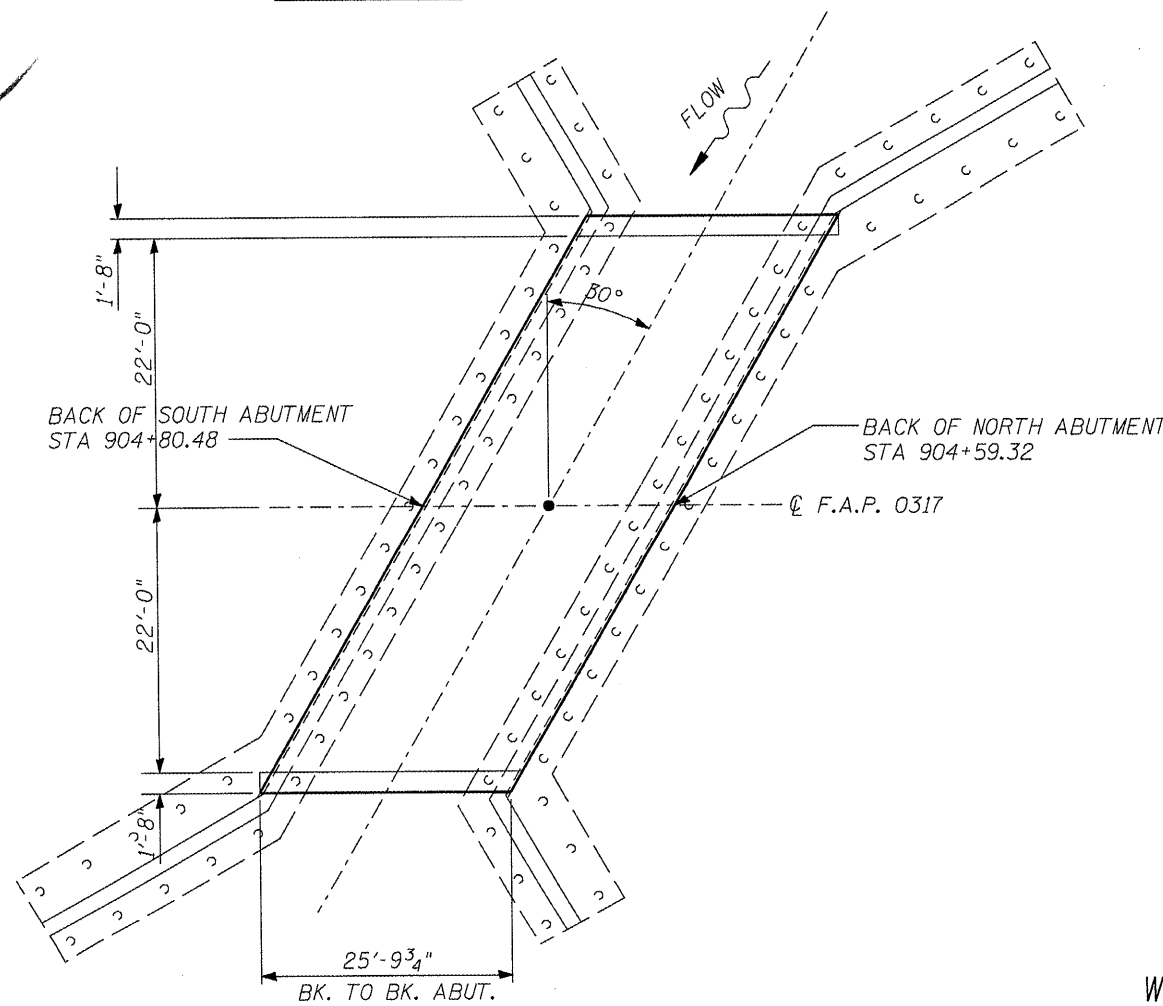
*** D4 SCOUR MITIGATION 2006**

INDEX OF SHEETS

SHEET NUMBER	DESCRIPTION
1	GENERAL PLAN AND PROFILE, SUMMARY OF QUANTITIES, LOCATION MAP
2	R.O.W. PLAN
3	SITE PLAN
4	DIMENSION PLAN
5-6	SITE PROFILE
7-11	CROSS SECTIONS



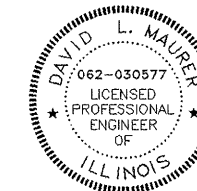
ELEVATION



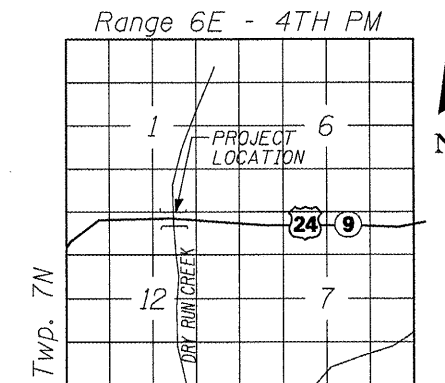
PLAN

EXISTING BRIDGE

BILL OF MATERIALS		
ITEM	UNIT	TOTAL
EARTH EXCAVATION FOR STILLING BASIN	CU YD	418
CHANNEL EXCAVATION	CU YD	145
PERIMETER EROSION BARRIER	FOOT	38.5
STONE RIP-RAP, CLASS A5	TONS	155
FILTER FABRIC	SQ YD	671
GABIONS	CU YD	415
SLOPE MATTRESS 12"	SQ YD	356
SUB-BASE GRANULAR MATERIAL, TYPE C	TONS	708
GABION ANCHOR STAKES	EACH	239
DEWATERING STRUCTURE NO. 1	EACH	1



David L. Maurer
David L. Maurer, P.E.
Exp. Date 11/2009
P.E. No.: 062-030577



LOCATION SKETCH

WATERWAY/SCOUR INFORMATION

DESIGN FLOOD	100 YRS
DRAINAGE AREA	0.6 SQ MI
FLOW	974 CFS
FLOW DEPTH	8.11 FT
OPENING REQUIRED	82 SQ FT
OPENING PROVIDED	154 SQ FT
CONTRACTION SCOUR DEPTH	7 FT

ILLINOIS DEPARTMENT OF TRANSPORTATION

GENERAL PLAN & ELEVATION
S.N. 029-0002
F.A.P. 0317 (U.S. RTE. 24)
OVER DRY RUN CREEK
FULTON COUNTY

SHEET 1 OF 11

