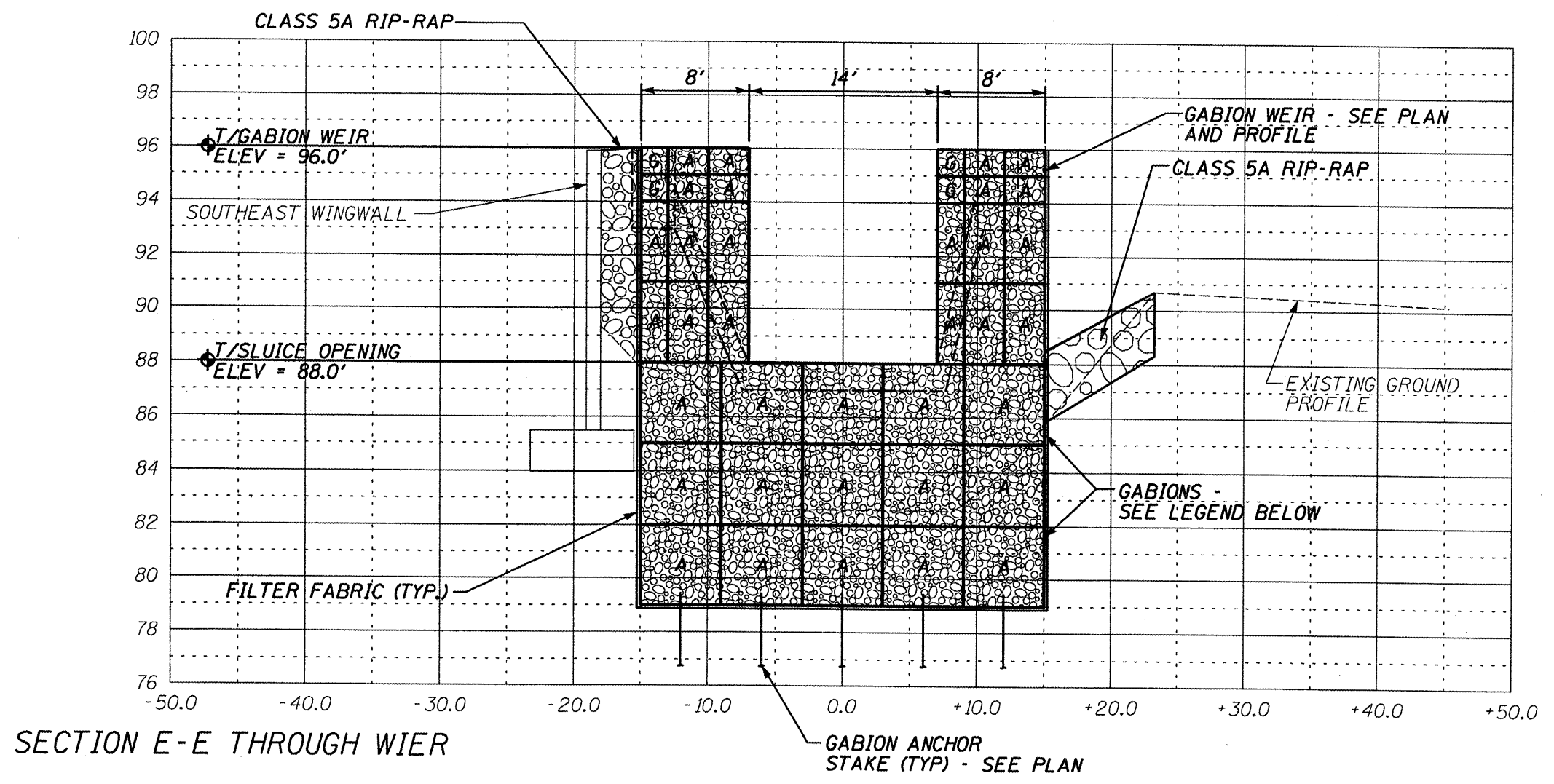


ROUTE NO.	SECTION	COUNTY	TOTAL SHEETS	SHEET NO.
VAR	*	VAR	66	13
FED. ROAD DIST. NO. 4		ILLINOIS	FED. AID PROJECT	

*** D4 SCOUR MITIGATION 2006**



SECTION E-E THROUGH WIER

MARK	LENGTH	WIDTH	HEIGHT
A	6'	3'	3'
G	6'	3'	1'

ILLINOIS DEPARTMENT OF TRANSPORTATION
 SITE CROSS SECTION
 S.N. 029-0002
 F.A.P. 0317 (U.S. RTE. 24)
 OVER DRY RUN CREEK
 FULTON COUNTY
 SHEET 9 OF 11
 SCALE: VERT. 1" = 5' HORIZ. 1" = 10'