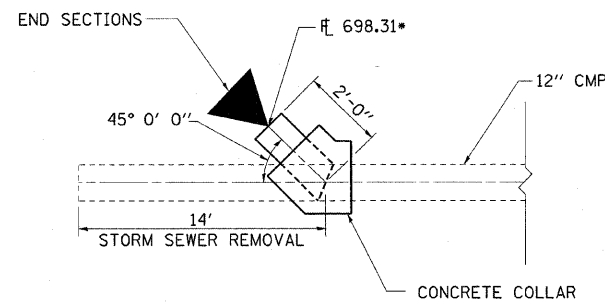
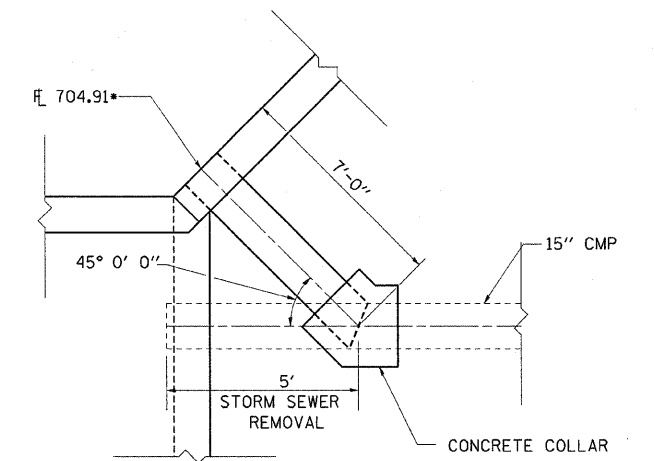
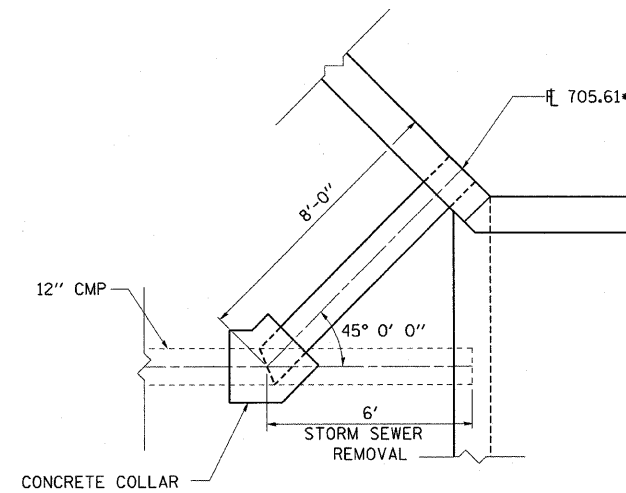
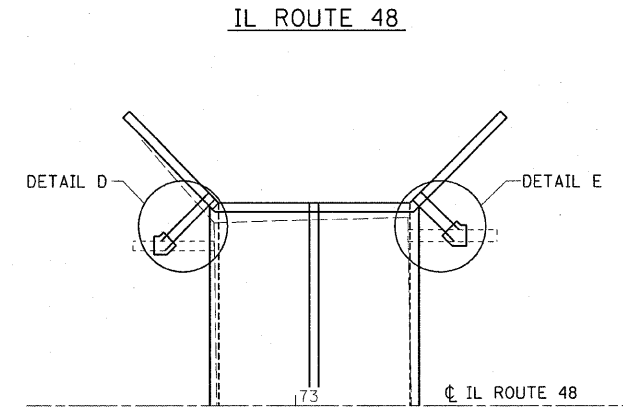
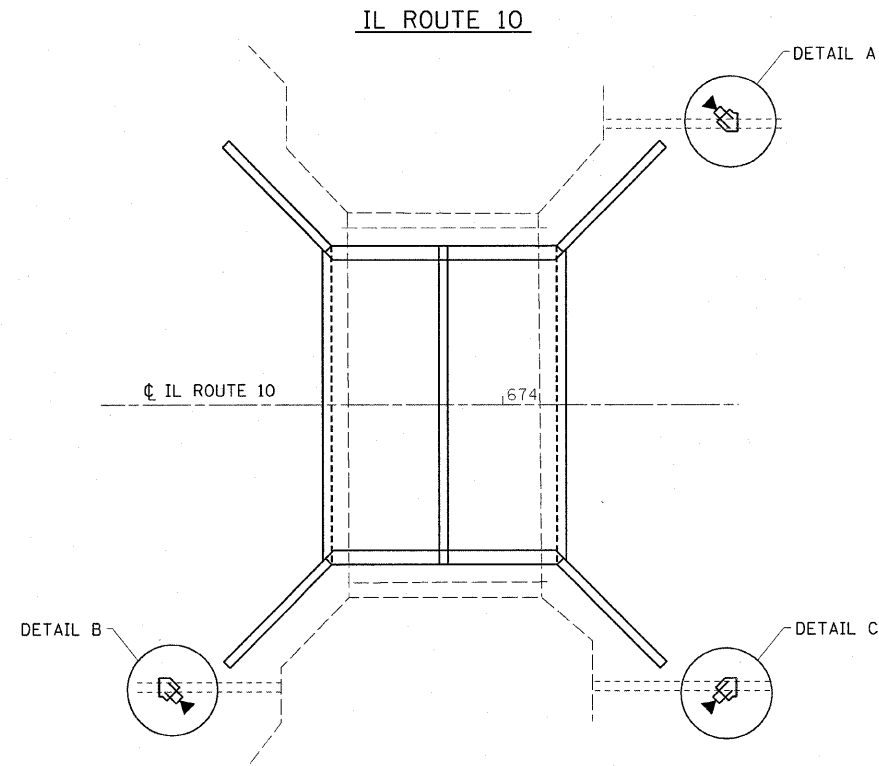


F.A.P. RTE.	SECTION	COUNTY	TOTAL SHEETS	SHEET NO.
*	**	DEWITT	64	23
STA.		TO STA.		
FED. ROAD DIST. NO.		ILLINOIS FED. AID PROJECT		
*FAP 721 & 760				
**SECTION 114BR-2 & 124BR-1				
CONTRACT NO. 70014				

BILL OF MATERIAL

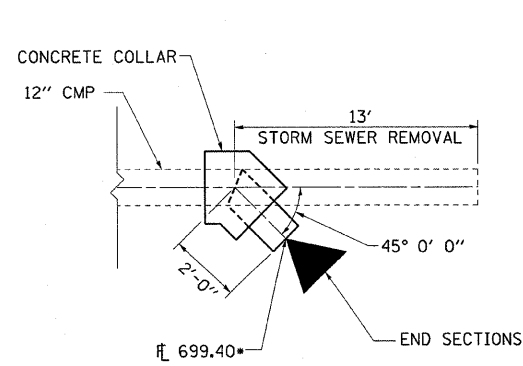
NAME	UNIT	QUANTITY	
		IL 10	IL 48
END SECTIONS 12"	EACH	3	
CONCRETE COLLAR	EACH	3	2
STORM SEWER REMOVAL 12"	FOOT	42	6
STORM SEWER REMOVAL 15"	FOOT		5
STORM SEWER SPECIAL 12"	FOOT	6	8
STORM SEWER SPECIAL 15"	FOOT		7



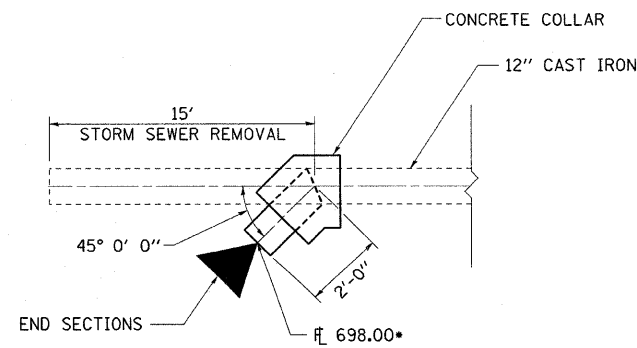
DETAIL D
STA 72+90.74 23.14 LT

DETAIL E
73+13.26 23.14 LT

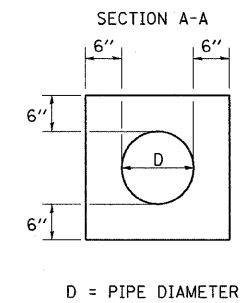
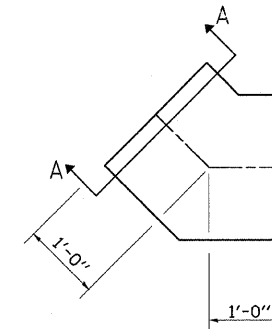
DETAIL A
STA 674+23.66 32.46 LT



DETAIL B
STA 673+63.92 32.51 RT



DETAIL C
STA 674+23.46 32.56 RT



D = PIPE DIAMETER

*NOTE: FINAL ELEVATIONS TO BE SET BY ENGINEER

REVISIONS	
NAME	DATE

ILLINOIS DEPARTMENT OF TRANSPORTATION
FIELD TILE DETAILS
FAP 721 & 760
SECTION 114BR-2 & 124BR-1
DEWITT COUNTY
SCALE: DRAWN BY SEIB
DATE CHECKED BY STEUART