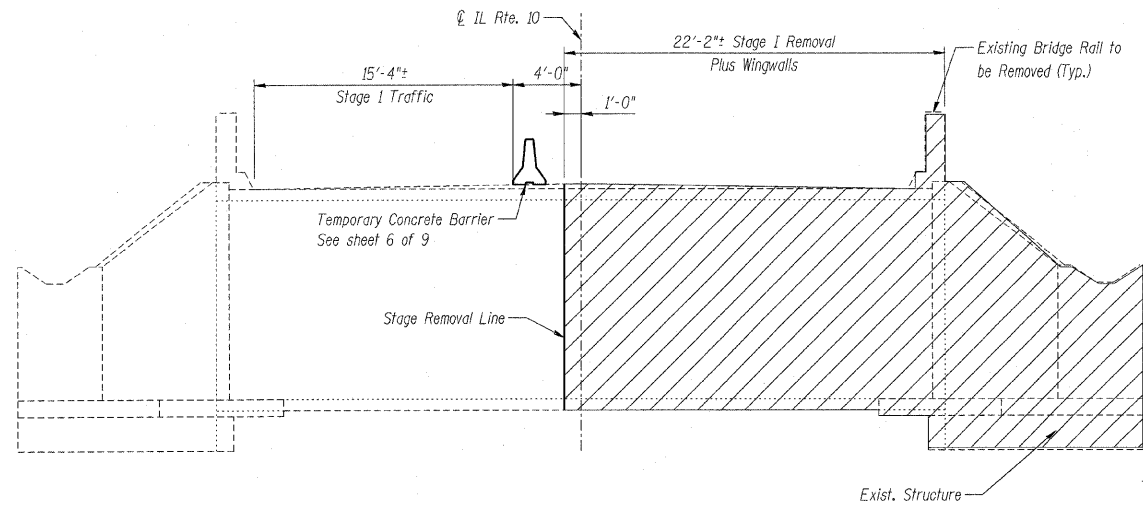


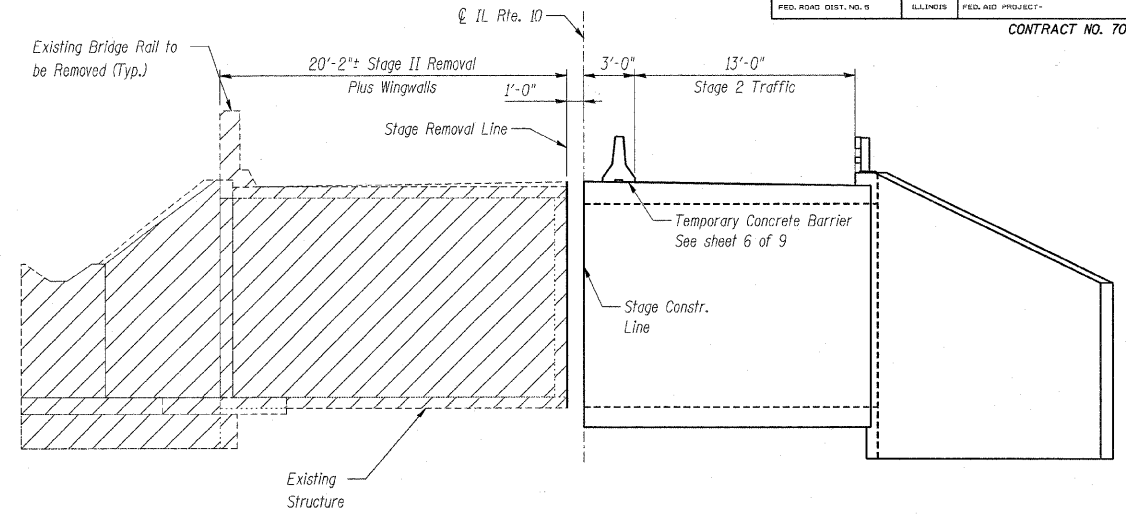
STATE OF ILLINOIS
DEPARTMENT OF TRANSPORTATION

ROUTE NO.	SECTION	COUNTY	TOTAL SHEETS	SHEET NO.
FAP 721	114BR-2	DEWITT	64	30
FED. ROAD DIST. NO. 2	ILLINOIS	FED. AID PROJECT-	CONTRACT NO. 70014	

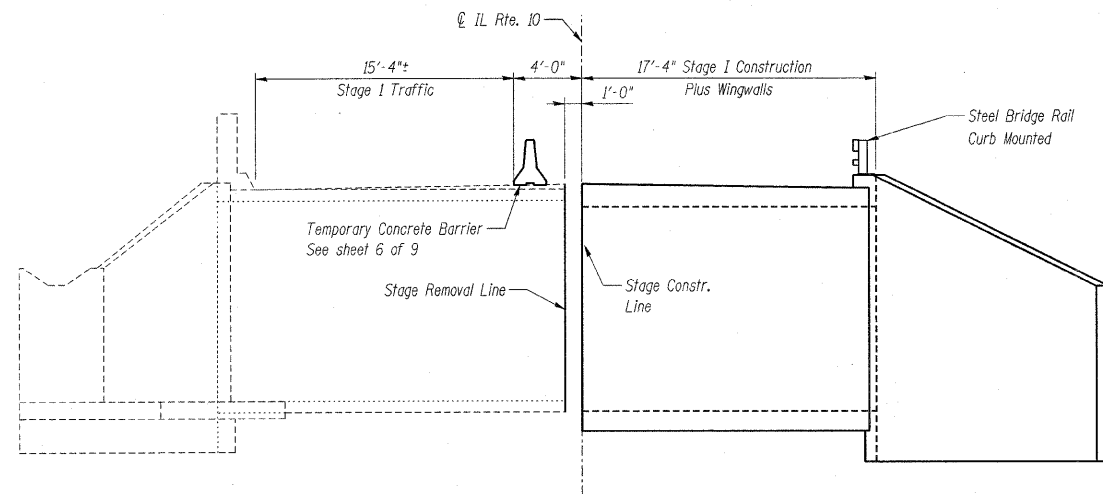
SHEET NO. 2 of
9 SHEETS



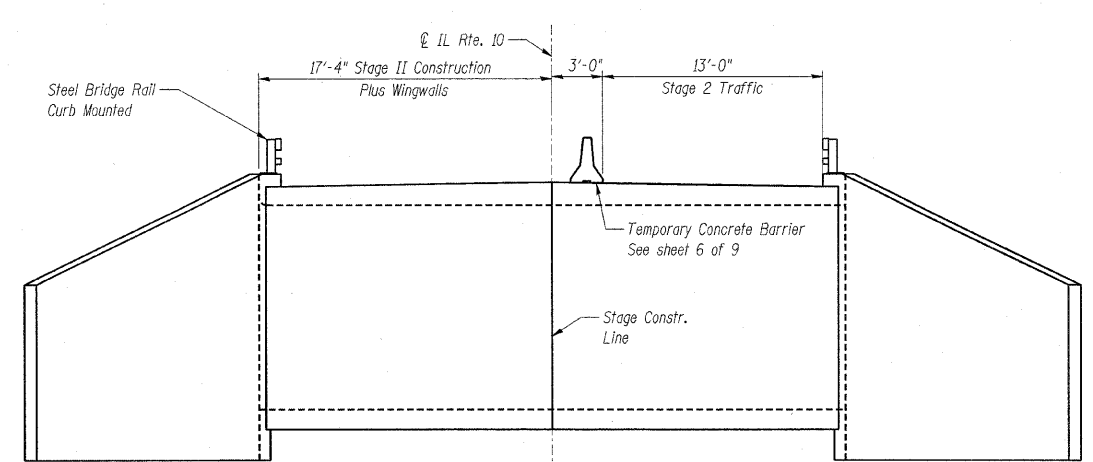
STAGE I REMOVAL



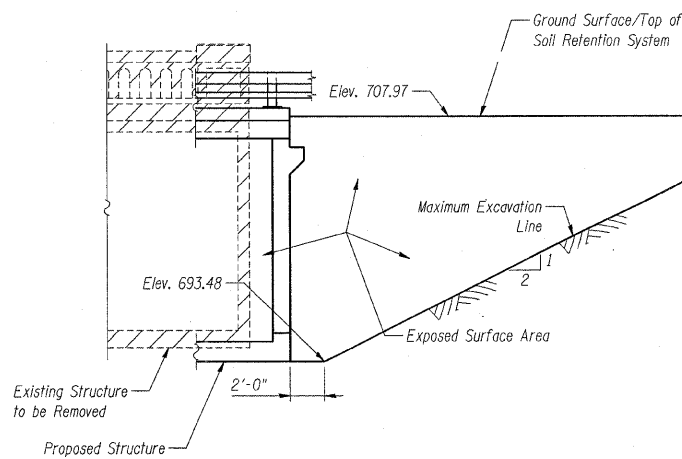
STAGE II REMOVAL



STAGE I CONSTRUCTION




STAGE II CONSTRUCTION



TEMPORARY SOIL RETENTION SYSTEM

BILL OF MATERIAL

Item	Unit	Quantity
Temporary Soil Retention System	Sq. Ft.	537


 Hatched area indicates Removal of Existing Structures

NOTES:

1. A cantilevered sheet piling design does not appear feasible and additional members or other retention systems may be necessary. The Contractor shall submit a temporary soil retention system design including plan details and calculations for review and acceptance by the Engineer.
2. For quantity of Temporary Concrete Barrier see Roadway Plans.
3. All staging sections are looking east.

DESIGNED	BWB
CHECKED	MAA
DRAWN	PJP
CHECKED	BSC

PLANS PREPARED BY:

 **WOOLPERT LLP**
343 Fountains Parkway, Suite A
Fairview Heights, IL
62208-2044
618.632.7004
FAX: 618.632.0100

STATE OF ILLINOIS
DEPARTMENT OF TRANSPORTATION
IL ROUTE 10 OVER
FRIENDS CREEK DITCH
FAP 721 - SECTION 114BR-2
DEWITT COUNTY
STATION 673+93.40
STRUCTURE No. 020-2010
STAGE CONSTRUCTION DETAILS