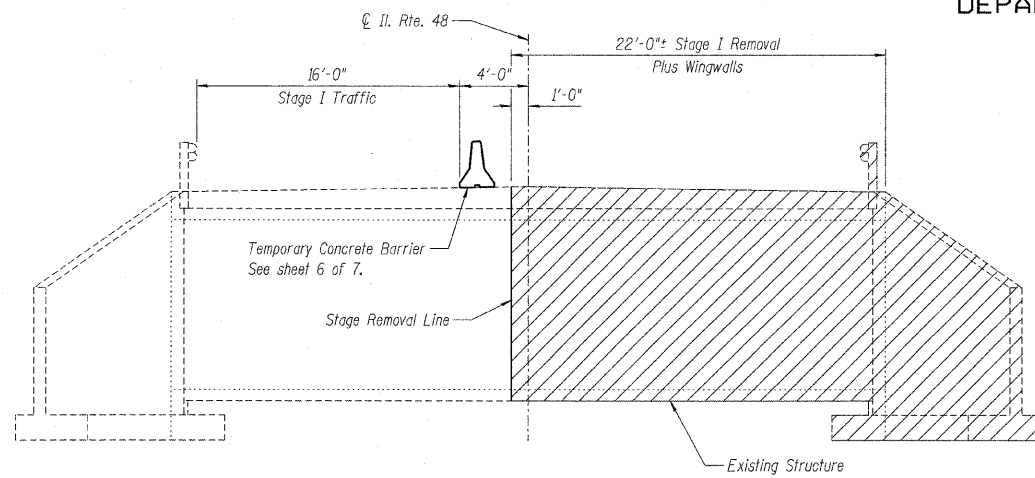


STATE OF ILLINOIS
DEPARTMENT OF TRANSPORTATION

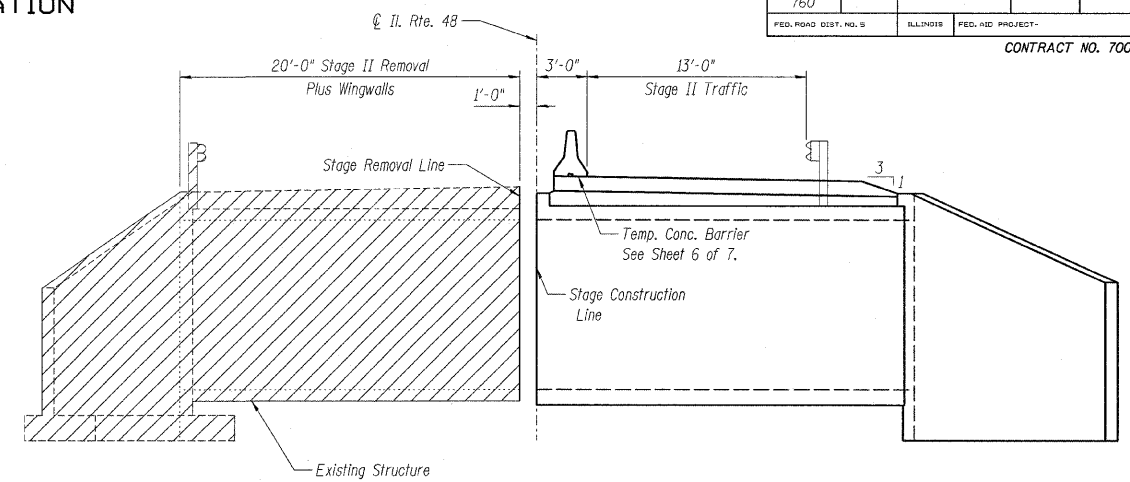
ROUTE NO.	SECTION	COUNTY	SHEETS	SHEET NO.
FAP 760	124BR-1	DEWITT	64	39
FED. ROAD DIST. NO. S		ILLINOIS	FED. AID PROJECT-	

CONTRACT NO. 70014

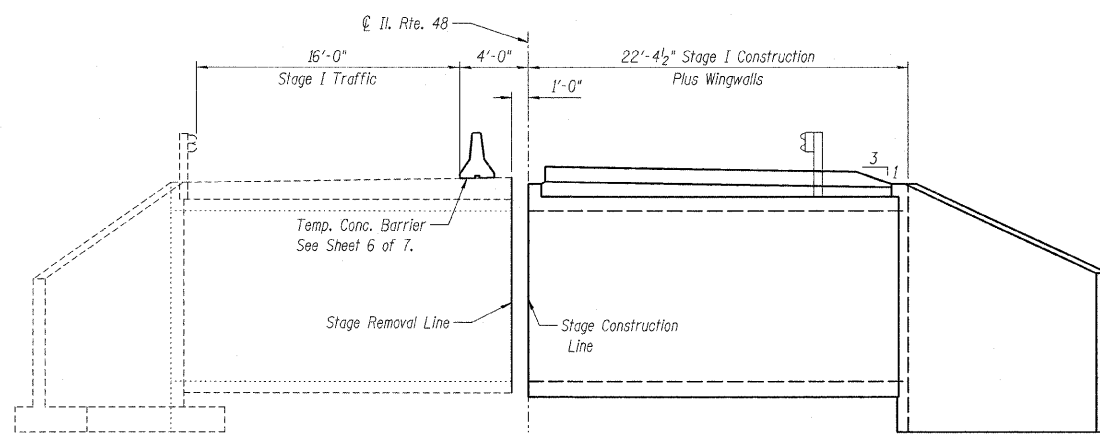
SHEET NO. 2 of
7 SHEETS



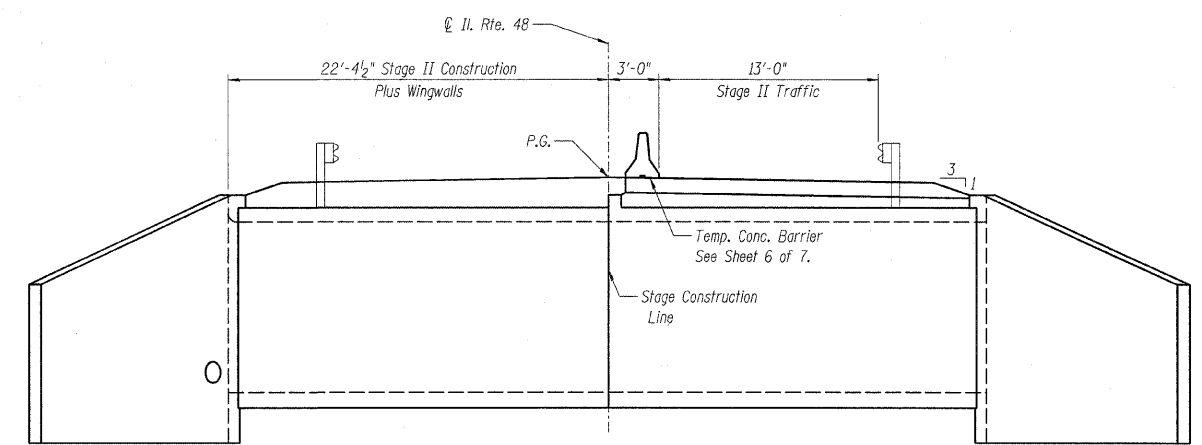
STAGE I REMOVAL



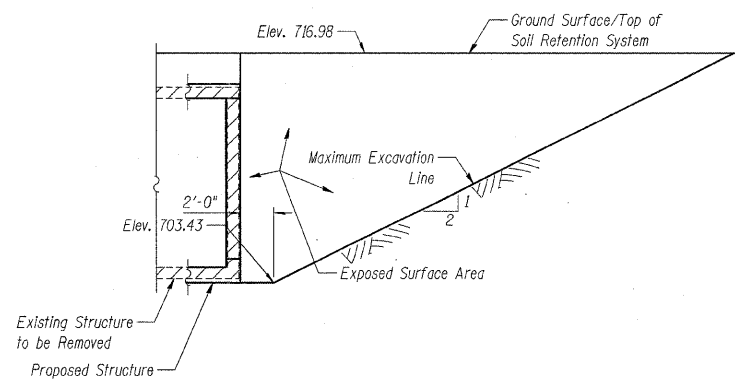
STAGE II REMOVAL



STAGE I CONSTRUCTION



STAGE II CONSTRUCTION



TEMPORARY SOIL RETENTION SYSTEM

BILL OF MATERIAL

Item	Unit	Quantity
Temporary Soil Retention System	Sq. Ft.	423

Hatched area indicates Removal of Existing Structures

NOTES:

1. A cantilevered sheet piling design does not appear feasible and additional members or other retention systems may be necessary. The Contractor shall submit a temporary soil retention system design including plan details and calculations for review and acceptance by the Engineer.
2. For quantity of Temporary Concrete Barrier see Roadway Plans.
3. All staging sections looking north.

DESIGNED	-	BWB
CHECKED	-	MAA
DRAWN	-	RMR
CHECKED	-	BSC

PLANS PREPARED BY:
WOOLPERT LLP
343 Fountains Parkway, Suite A
Fairview Heights, IL
62208-2044
618.632.7004
FAX: 618.632.0100

STATE OF ILLINOIS
DEPARTMENT OF TRANSPORTATION
IL ROUTE 48 OVER
TRIBUTARY TO FRIENDS CREEK DITCH
FAP 760 - SECTION 124BR-1
DEWITT COUNTY
STATION 73+02.00
STRUCTURE No. 020-2011
STAGE CONSTRUCTION DETAILS