

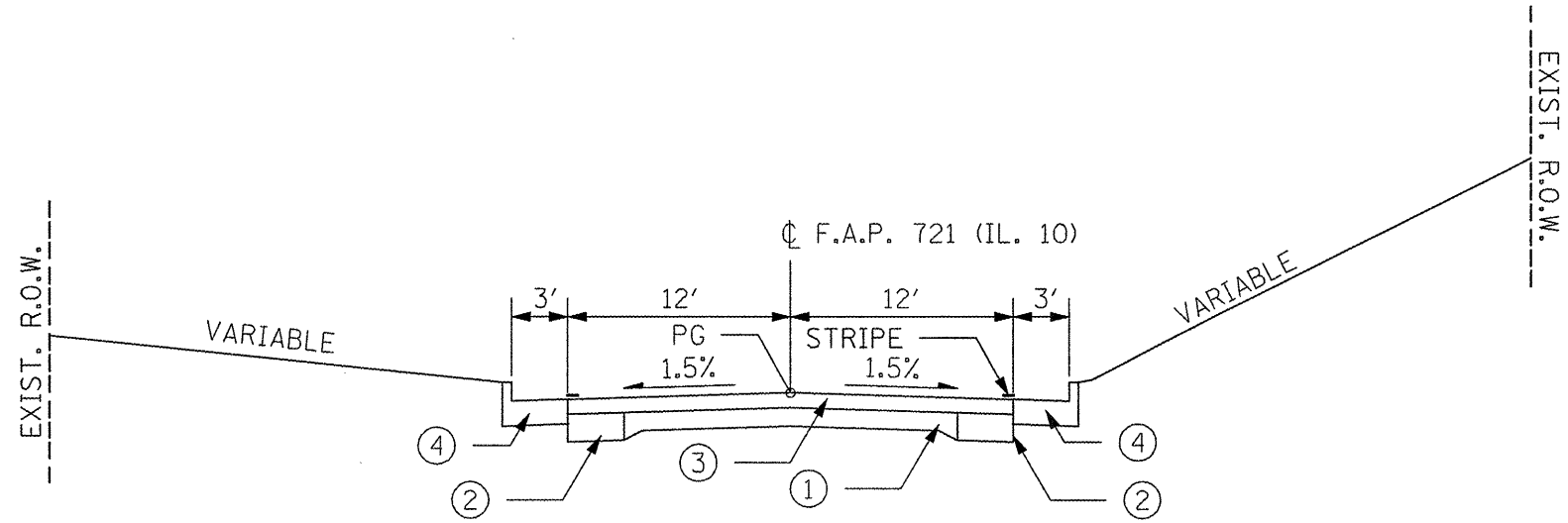
NOTES:

- ① STA. 1207+00 TO STA. 1210+14.86  
PCC PAVEMENT 9''-6''-9''  
STA. 1211+63.80 TO STA. 1211+84.80  
BRIDGE APPROACH PAVEMENT  
(16 1/2''-10 1/2''-16 1/2'') 24' WIDE  
STA. 1211+84.80 TO STA. 1215+00  
PCC PAVEMENT 9''-6''-9''

- ② STA. 1207+00 TO STA. 1207+92.76  
HMA BASE COURSE WIDENING 8'' (3' WIDE)  
STA. 1207+92.76 TO STA. 1209+05.24  
HMA BASE COURSE WIDENING 9'' (3' WIDE)  
STA. 1209+05.24 TO STA. 1210+14.86  
HMA BASE COURSE WIDENING 9'' (4'-9'' WIDE)  
STA. 1211+63.80 TO STA. 1211+84.80  
HMA BASE COURSE WIDENING 9'' (1'-4'' WIDE)  
STA. 1211+84.80 TO STA. 1214+50.46  
HMA BASE COURSE WIDENING 9'' (4'-9'' WIDE)  
STA. 1214+50.46 TO STA. 1215+00  
HMA BASE COURSE WIDENING 9'' (3' WIDE)

- ③ STA. 1207+00 TO STA. 1210+14.86  
HMA RESURFACING (THICKNESS VARIES 2 3/4''+ TO 6''+)  
STA. 1211+63.80 TO STA. 1211+84.80  
HMA RESURFACING (THICKNESS 3 1/4'')  
STA. 1211+84.80 TO STA. 1215+00  
HMA RESURFACING (THICKNESS 6'')  
OVER GRANULAR EMBANKMENT (THICKNESS 6'' ±

- ④ STA. 1207+00 TO STA. 1207+10  
CONCRETE GUTTER, TYPE B SPECIAL  
STA. 1207+10 TO STA. 1209+05.24  
PCC BASE COURSE WIDENING (3' WIDE)  
/W 6'' CURB  
STA. 1214+50.46 TO STA. 1215+00  
CONCRETE GUTTER, TYPE B SPECIAL

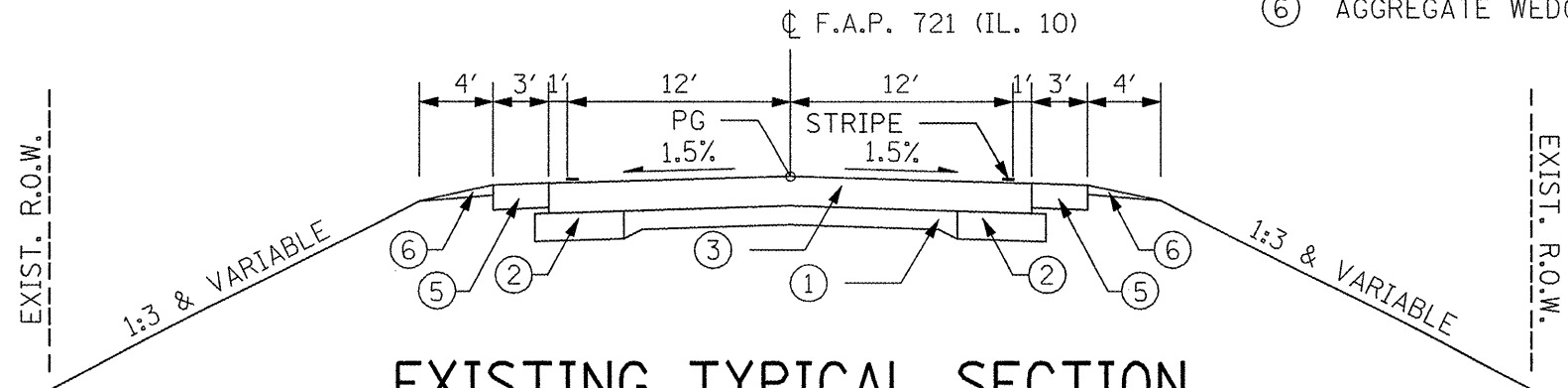


**EXISTING TYPICAL SECTION**

STA. 1207+00.00 TO STA. 1209+05.24  
STA. 1214+50.46 TO STA. 1215+00.00

(SEE NOTES)

- ① PCC PAVEMENT 9''-6''-9''
- ② HMA BASE COURSE WIDENING
- ③ HMA RESURFACING
- ④ PCC BASE COURSE WIDENING (3' WIDE)/W 6'' CURB
- ⑤ PCC BASE COURSE WIDENING (3' WIDE) 8''  
/W HMA SURFACE COURSE (THICKNESS UNKNOWN)
- ⑥ AGGREGATE WEDGE SHOULDER, TYPE B



**EXISTING TYPICAL SECTION**

STA. 1209+05.24 TO STA. 1210+14.86  
STA. 1210+14.86 TO STA. 1211+63.80 (BRIDGE OMISSION)  
STA. 1211+63.80 TO STA. 1214+50.46

FILE NAME = h:\110149\Plans\typical.dgn 	USER NAME = SJS	DESIGNED -	REVISED -	<b>STATE OF ILLINOIS</b> <b>DEPARTMENT OF TRANSPORTATION</b>	<b>TYPICAL SECTIONS</b>		F.A.P. RTE. 721	SECTION (115BR-D)BR	COUNTY PIATT	TOTAL SHEETS 32	SHEET NO. 5
	PLOT SCALE = 100.000' / IN.	DRAWN -	REVISED -				SCALE: SHEET NO. OF SHEETS STA. TO STA.			FED. ROAD DIST. NO. ILLINOIS FED. AID PROJECT CONTRACT NO. 70433	
PLOT DATE = 06/17/2008 16:12:16	CHECKED -	REVISED -	DATE -								