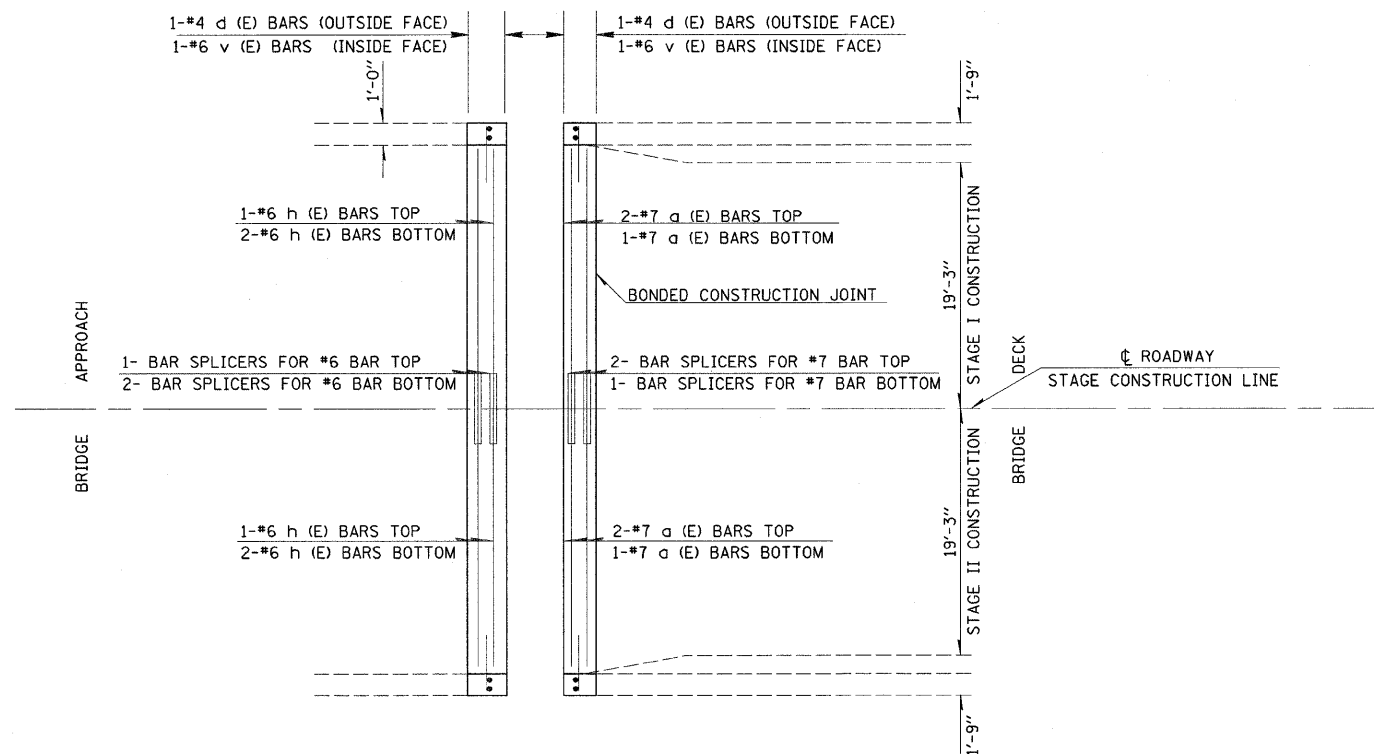


BAR LIST - WEST ABUTMENT

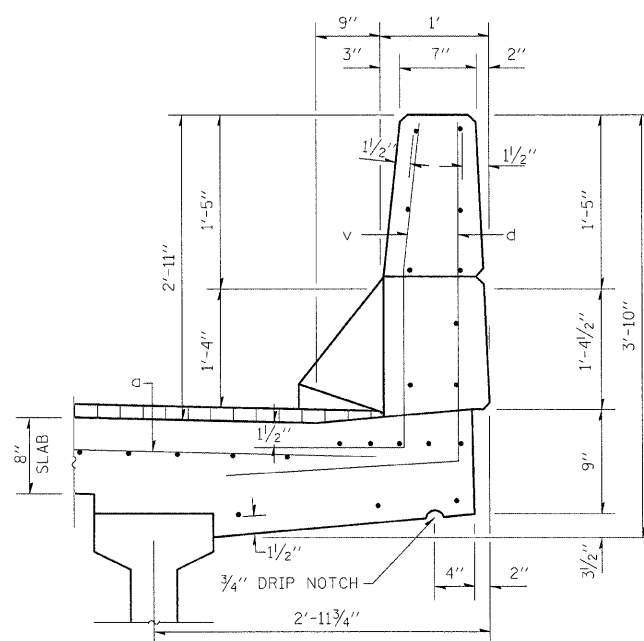
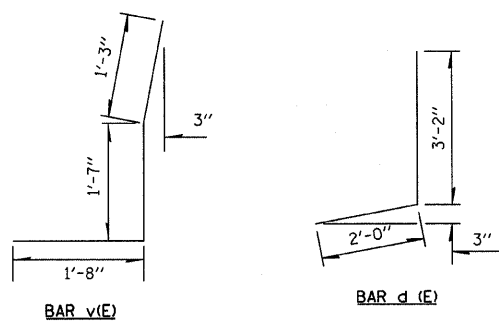
BAR	NUMBER OF BARS		TOTAL	SIZE	LENGTH	SHAPE
	STAGE I	STAGE II				
d(E)	3	3	6	7	20'-6"	—
h(E)	3	3	6	6	20'-6"	—
d(E)	2	2	4	4	5'-2"	J
v(E)	2	2	4	6	4'-6"	J
CONCRETE REMOVAL				CU YD	3.1	
REINFORCEMENT BARS (EPOXY COATED)				POUND	480	
CONCRETE SUPERSTRUCTURE				CU YD	3.5	

REINFORCEMENT BARS DESIGNATED (E) SHALL BE EPOXY COATED

NOTE: EXISTING REINFORCEMENT BARS ARE TO BE CLEANED, STRAIGHTENED AND INCORPORATED INTO THE NEW CONSTRUCTION. ANY REINFORCEMENT BARS THAT ARE DAMAGED DURING CONCRETE REMOVAL OPERATIONS SHALL BE REPAIRED OR REPLACED USING AN APPROVED BAR SPLICER OR ANCHORAGE SYSTEM (COST INCLUDED IN CONCRETE REMOVAL).

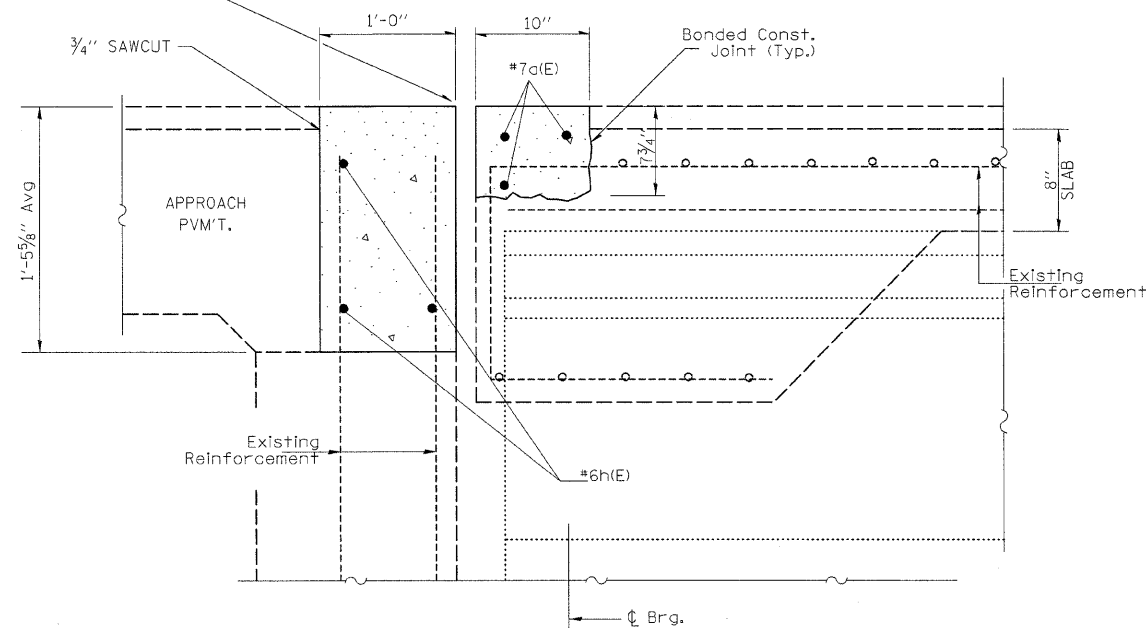


REINFORCEMENT DETAIL
WEST ABUTMENT



PARAPET DETAIL

PREFORMED JOINT STRIP SEAL FOR DETAIL OF EXPANSION JOINT SEE SHEET OF



PROPOSED EXPANSION JOINT AT WEST ABUTMENT

FILE NAME =
c:\projects\74328b\shdtdetails_74328.dgn

USER NAME = teasleyck
PLOT SCALE = 20.0000 / IN.
PLOT DATE = 7/11/2008

DESIGNED -
DRAWN -
CHECKED -
DATE -

REVISED -
REVISED -
REVISED -
REVISED -

STATE OF ILLINOIS
DEPARTMENT OF TRANSPORTATION

EXPANSION JOINT & REBAR DETAILS
WEST ABUTMENT

SCALE: SHEET NO. OF SHEETS STA. TO STA.

F.A.S. RTE	SECTION	COUNTY	TOTAL SHEETS	SHEET NO.
1807	D7 BRIDGE REPAIRS 09-2	LAWRENCE	22	10
FED. ROAD DIST. NO. ILLINOIS FED. AID PROJECT			CONTRACT NO. 74328	