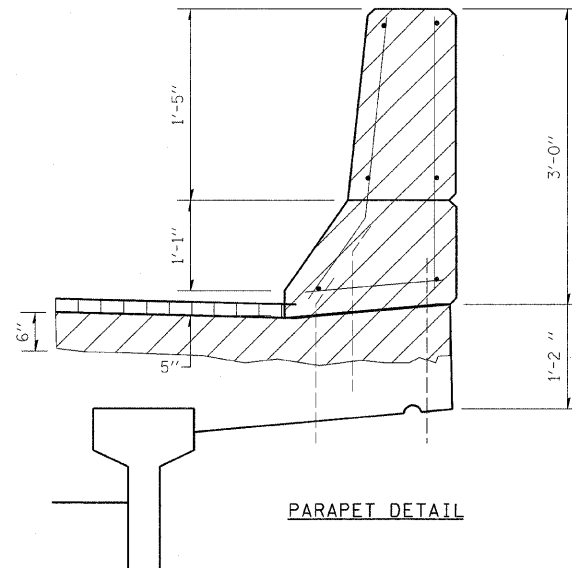
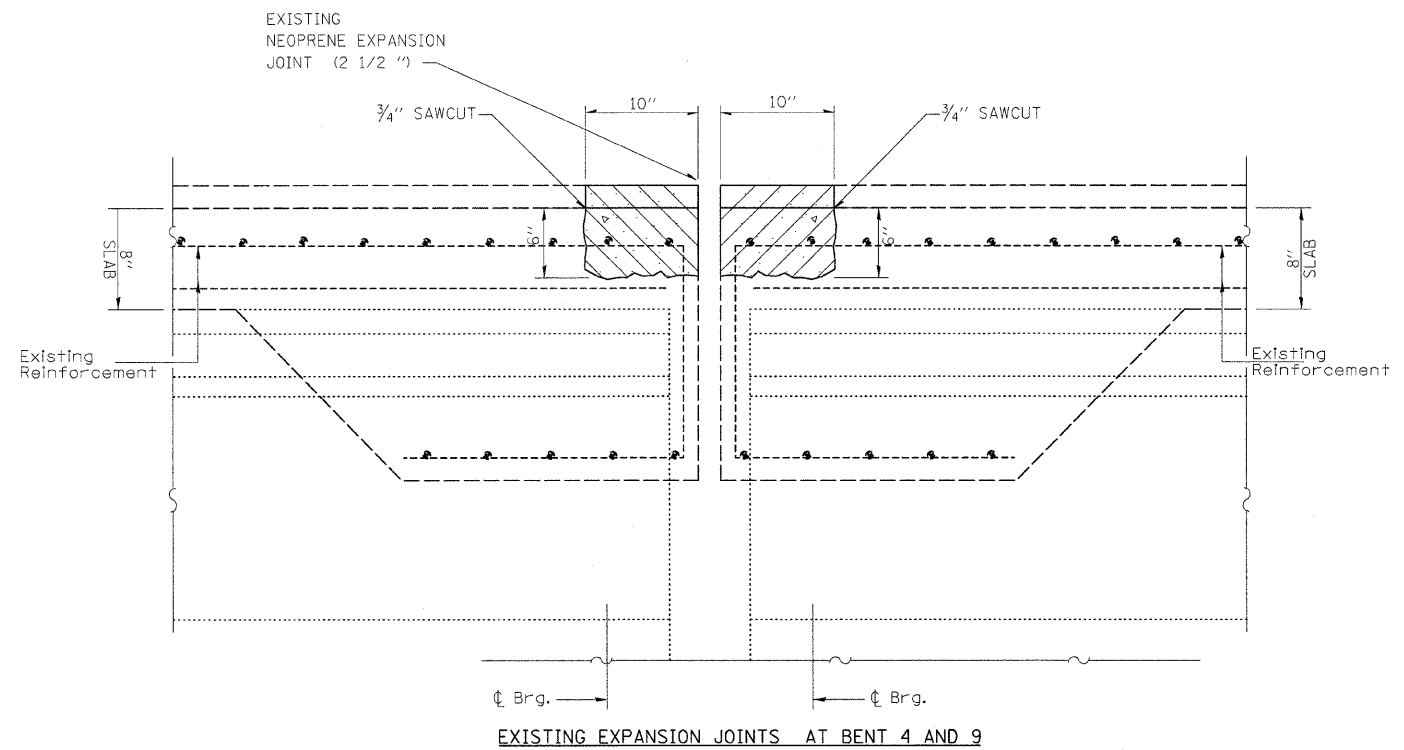


TYPICAL CONCRETE REMOVAL AT EACH JOINT

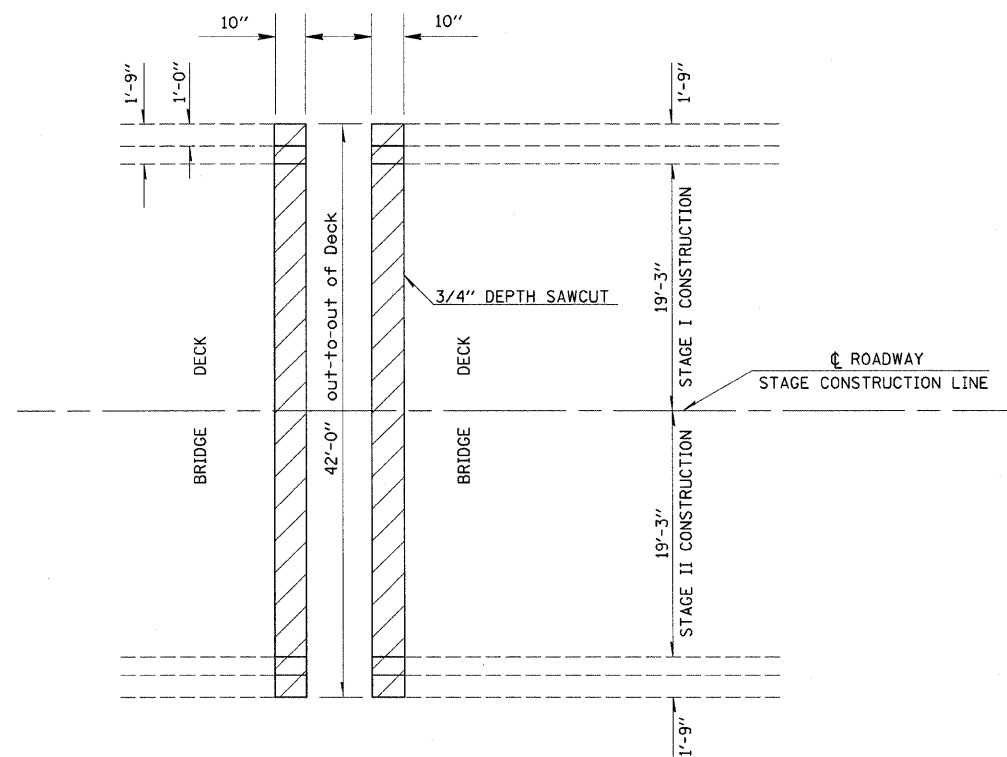


PARAPET DETAIL

CONCRETE REMOVAL (LIMITS ARE FROM OUT TO OUT OF DECK)



EXISTING EXPANSION JOINTS AT BENT 4 AND 9



REMOVAL PLAN VIEW
BENT 4 (BENT 9 SIMILIAR)

NOTE: EXISTING REINFORCEMENT BARS ARE TO BE CLEANED, STRAIGHTENED AND INCORPORATED INTO THE NEW CONSTRUCTION. ANY REINFORCEMENT BARS THAT ARE DAMAGED DURING CONCRETE REMOVAL OPERATIONS SHALL BE REPAIRED OR REPLACED USING AN APPROVED BAR SPLICER OR ANCHORAGE SYSTEM (COST INCLUDED IN CONCRETE REMOVAL).

FILE NAME =	USER NAME = teasleyck	DESIGNED -	REVISED -	STATE OF ILLINOIS DEPARTMENT OF TRANSPORTATION	REMOVAL DETAILS BENT 4 AND 9			F.A.S. RTE.	SECTION	COUNTY	TOTAL SHEETS	SHEET NO.
c:\projects\74328b\ahdtdetails.74328.dgn		DRAWN -	REVISED -		1807	D7 BRIDGE REPAIRS 09-2	LAWRENCE	22	11			
PLOT SCALE = 28.0000' / IN.		CHECKED -	REVISED -		SCALE: SHEET NO. OF SHEETS STA. TO STA.			FED. ROAD DIST. NO.	ILLINOIS FED. AID PROJECT	CONTRACT NO. 74328		
PLOT DATE = 7/11/2008		DATE -	REVISED -									