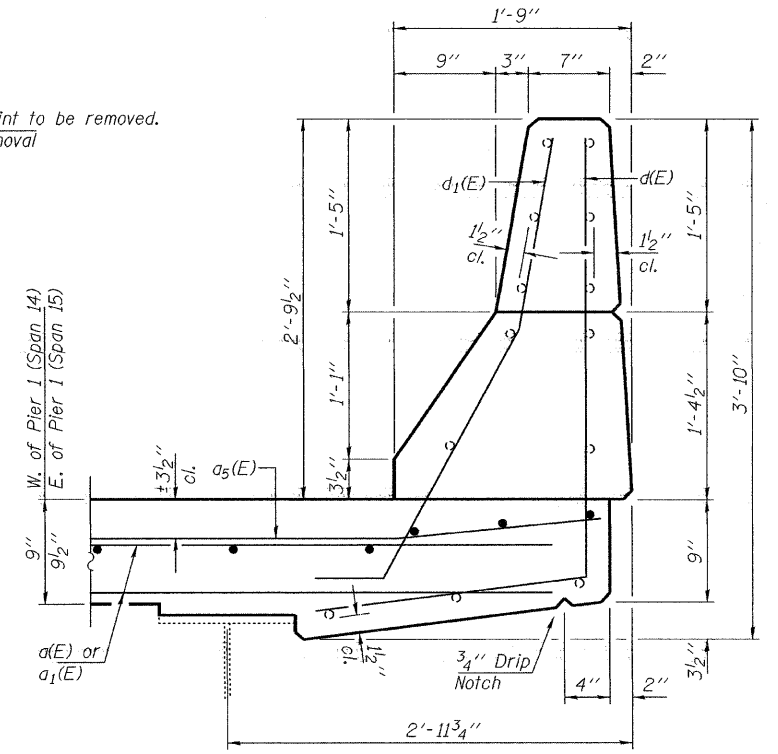
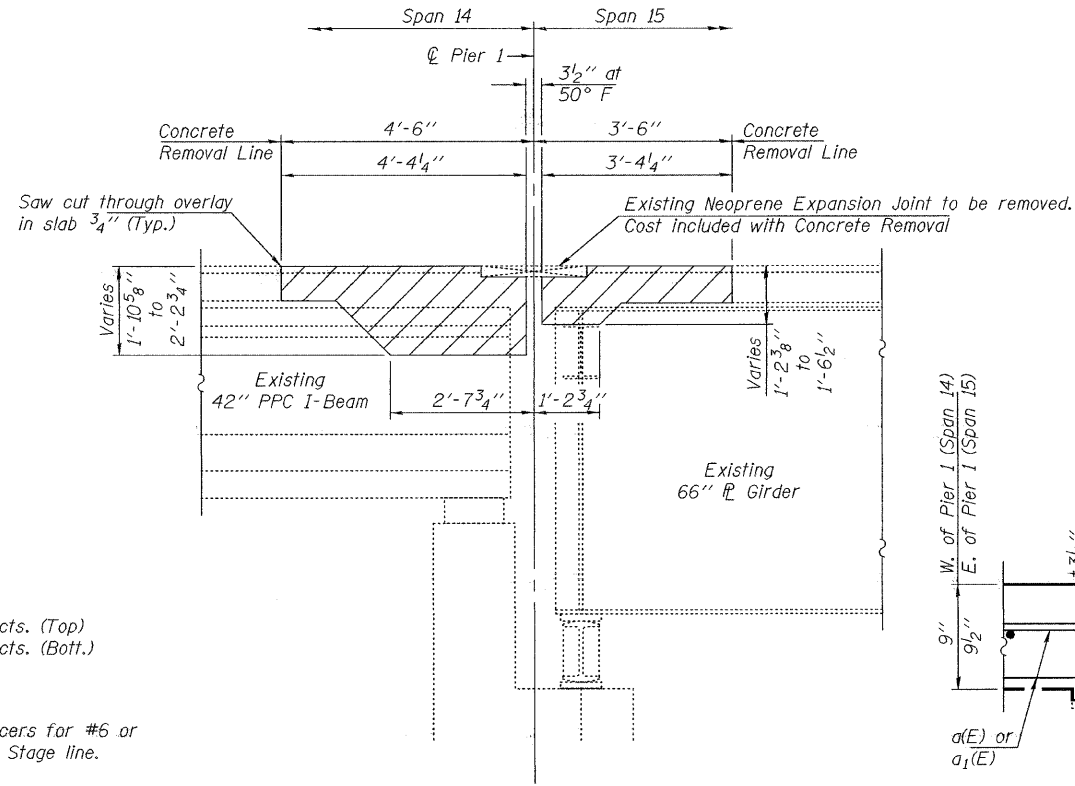
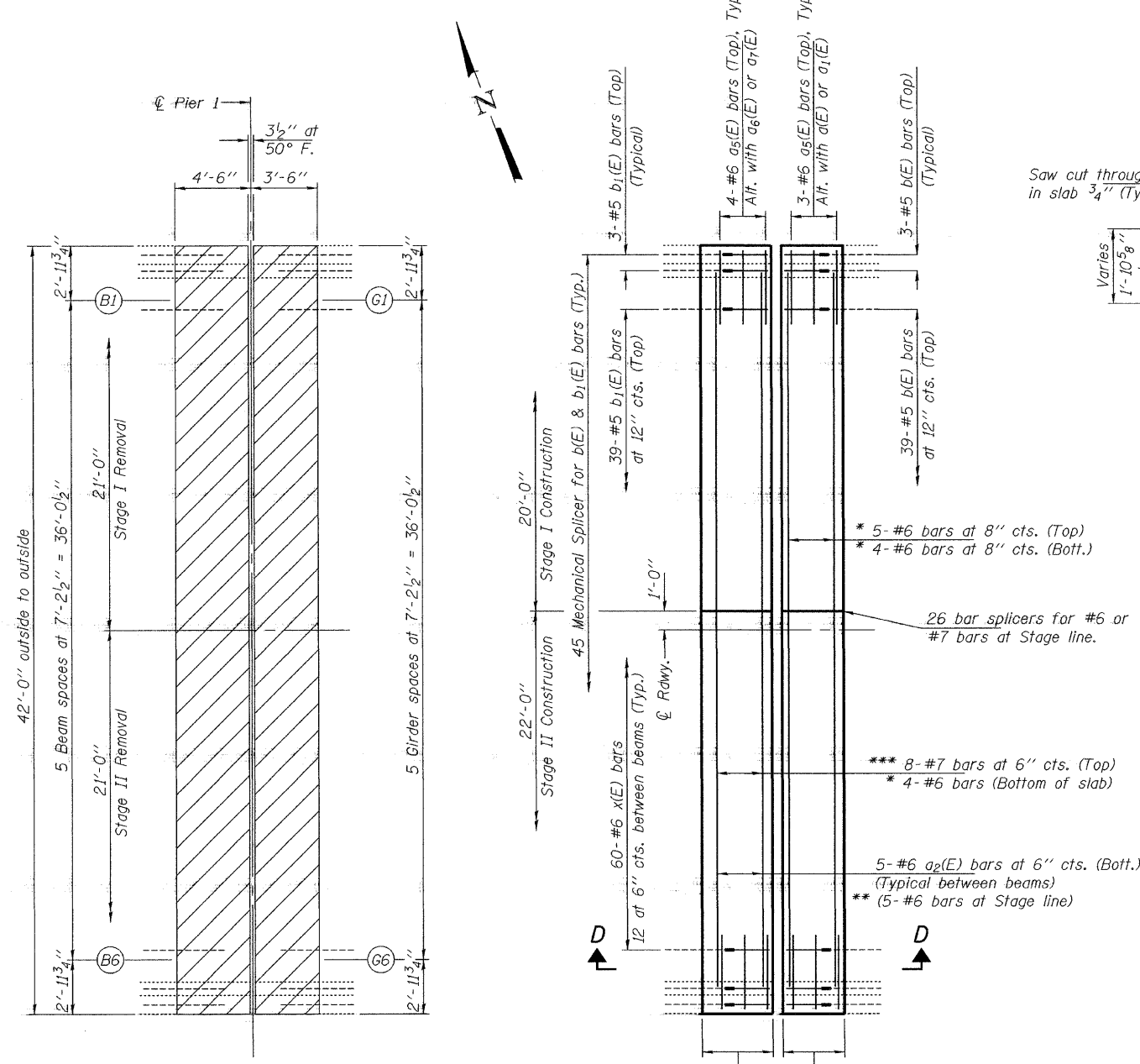


STATE OF ILLINOIS  
DEPARTMENT OF TRANSPORTATION

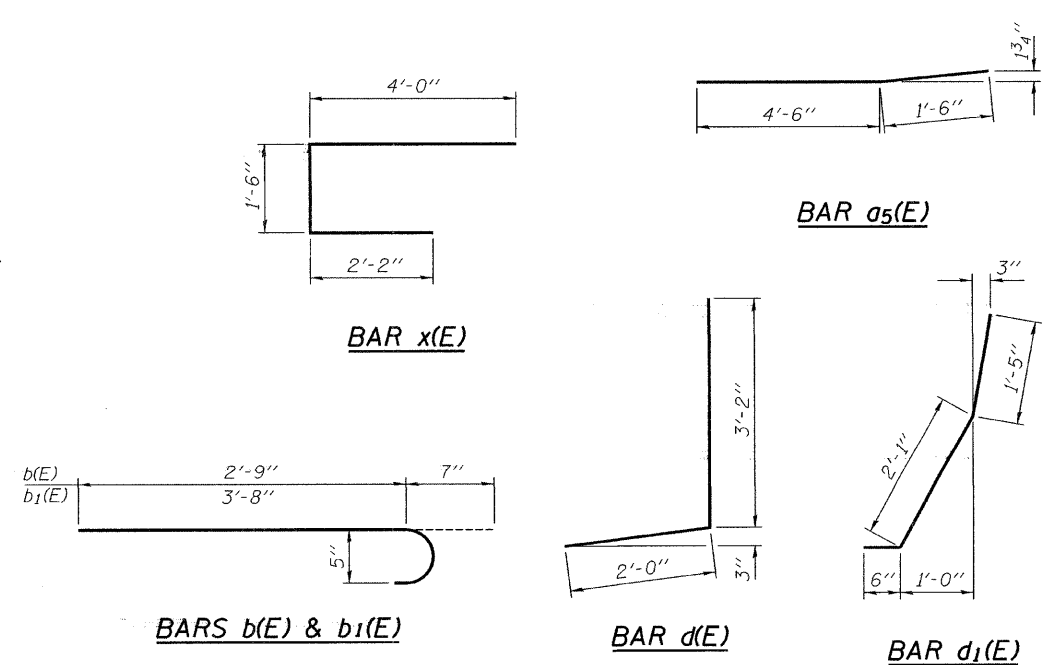
ROUTE NO.	SECTION	COUNTY	TOTAL SHEETS	SHEET NO.	SHEET NO. 2 6 SHEETS
FA 1	*	LAWRENCE	22	18	
FED. ROAD DIST. NO. 7		ILLINOIS	FED. AID PROJECT-		

Contract Number: 74328  
\* D7 Bridge Repairs 2009-2



**BILL OF MATERIAL**

Bar	No.	Size	Length	Shape
a(E)	13	#6	19'-6"	—
a <sub>1</sub> (E)	13	#6	21'-6"	—
a <sub>2</sub> (E)	20	#6	5'-10"	—
a <sub>3</sub> (E)	5	#6	2'-1"	—
a <sub>4</sub> (E)	5	#6	4'-1"	—
a <sub>5</sub> (E)	14	#6	6'-0"	—
a <sub>6</sub> (E)	8	#7	19'-6"	—
a <sub>7</sub> (E)	8	#7	21'-6"	—
b(E)	45	#5	3'-4"	—
b <sub>1</sub> (E)	45	#5	4'-3"	—
d(E)	18	#4	5'-2"	—
d <sub>1</sub> (E)	18	#5	4'-0"	—
x(E)	60	#6	7'-8"	—
Concrete Removal			Cu. Yd.	17.2
Concrete Superstructure			Cu. Yd.	16.7
Reinforcement Bars, Epoxy Coated			Pound	3000
Bar Splicers			Each	26
Mechanical Splice			Each	90



DESIGNED	ATH
CHECKED	AJB
DRAWN	Steffen
CHECKED	ATH AJB

JULY 31, 2008  
EXAMINED *Carl Proyer*  
ENGINEER OF STRUCTURAL SERVICES  
PASSED *Ralph E. Anderson*  
ENGINEER OF BRIDGES AND STRUCTURES

REPAIR DETAILS  
FA RT. 1 SPUR  
LAWRENCE COUNTY  
SN 051-0053