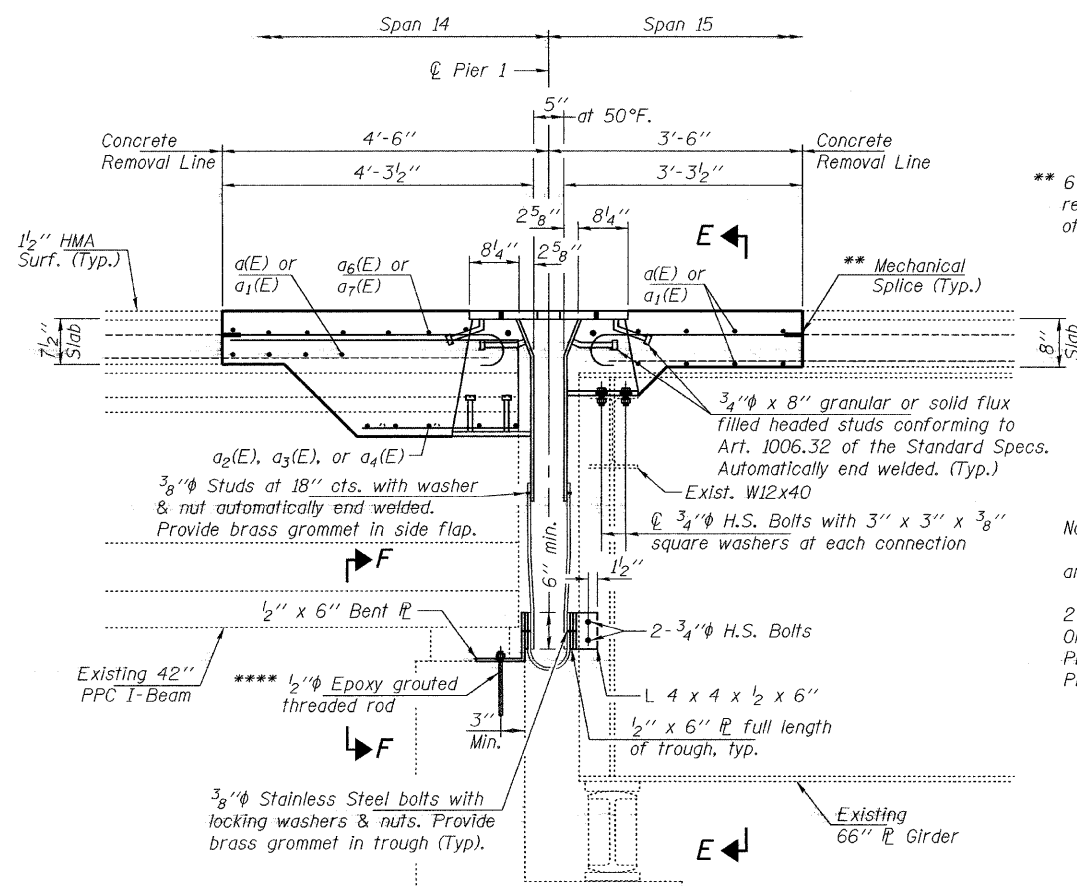


STATE OF ILLINOIS
DEPARTMENT OF TRANSPORTATION

ROUTE NO.	SECTION	COUNTY	TOTAL SHEETS	SHEET NO.
FA 1	*	LAWRENCE	22	19
FED. ROAD DIST. NO. 7		ILLINOIS	FED. AID PROJECT:	

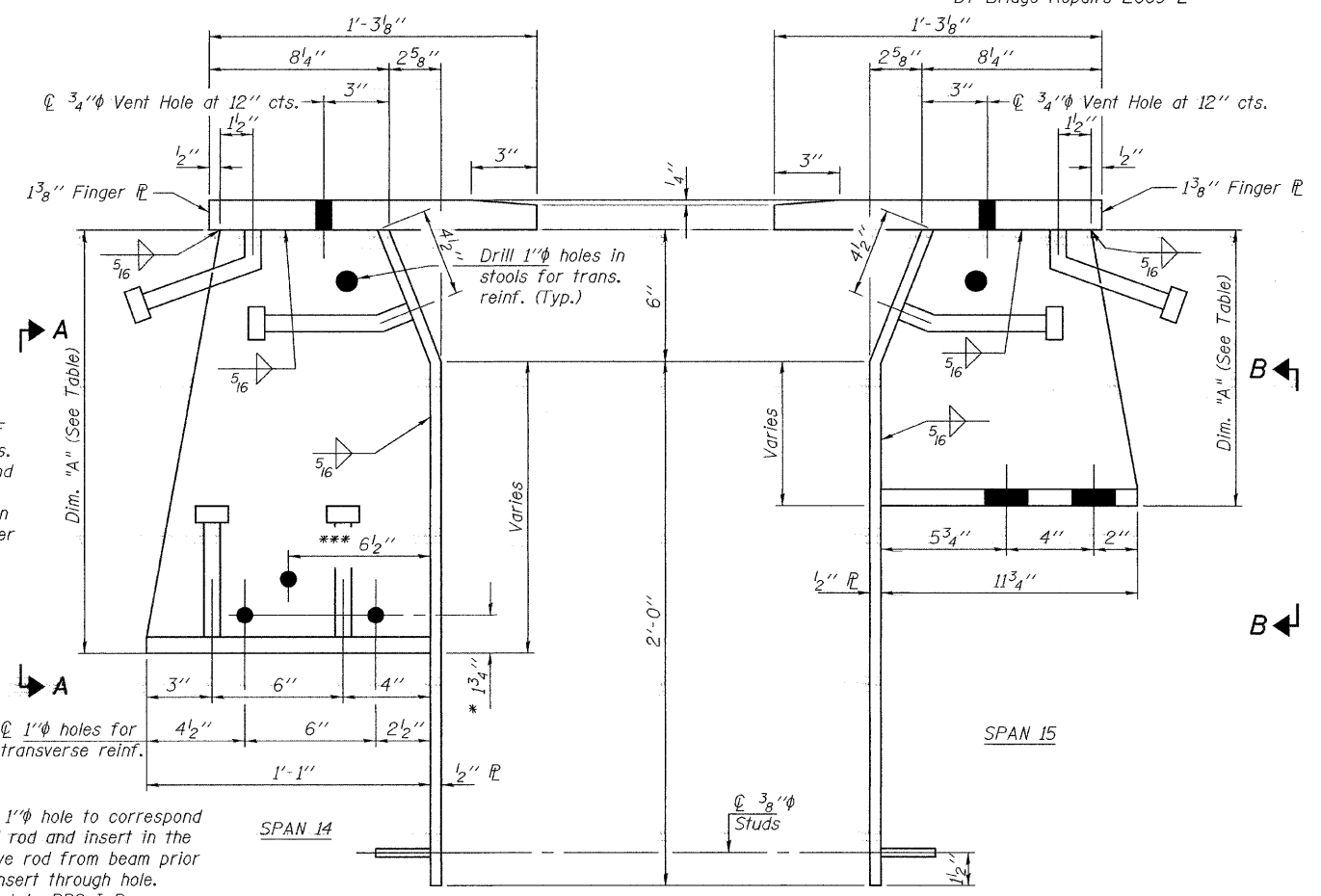
Contract Number: 74328
* D7 Bridge Repairs 2009-2

SHEET NO. 3
6 SHEETS



** 6" min. of existing rebar to remain to allow attachment of mechanical splice.

Note:
See sheet 4 of 6 for Sec. E-E, F-F and additional Finger PL & trough details. Provide 1" normal shim plus 2-1/4" and 2-1/8" shim PL's for height adjustment. Omit 1" normal shims for stools between PPC I-Beams. Cost included with Finger Plate Expansion Joint.



STOOL A DETAIL

STOOL B DETAIL

* Omit holes for stools at beams.

TABLE FOR DIMENSION "A"

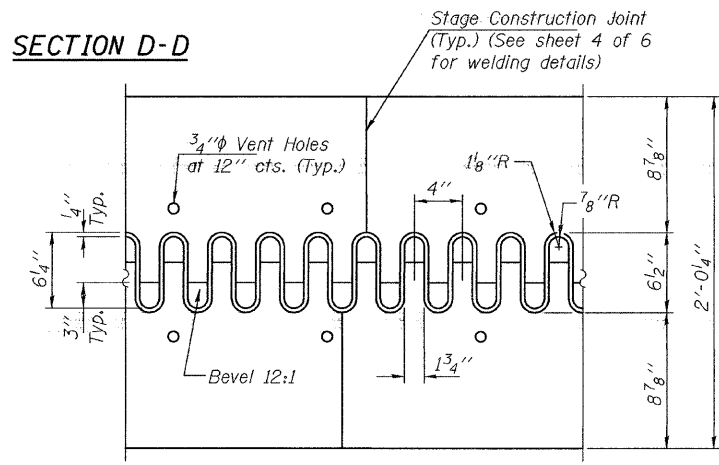
STOOL A		STOOL B	
Stool No.	Dim. "A"	Stool No.	Dim. "A"
A	8 1/4"	A	8 5/8"
B	21 1/16"	B	12 3/4"
C	22 3/16"	C	13 1/4"
D	22 1/16"	D	13 3/4"
E	8 5/16"	E	8 5/8"
F	23 5/16"	F	14 3/8"
G	23 1/16"	G	14 3/4"
H	24 1/16"	H	15 1/8"
I	8 1/4"	I	8 1/16"
J	24 5/8"	J	15 3/4"
K	25"	K	16 1/8"
L	24 5/8"	L	15 3/4"
M	8 1/4"	M	8 1/16"
N	24 1/16"	N	15 1/8"
O	23 1/16"	O	14 3/4"
P	23 5/16"	P	14 3/8"
Q	8 5/16"	Q	8 5/8"
R	22 1/16"	R	13 3/4"
S	22 3/16"	S	13 1/4"
T	21 1/16"	T	12 3/4"
U	8 1/4"	U	8 5/8"

VIEW A-A

VIEW B-B

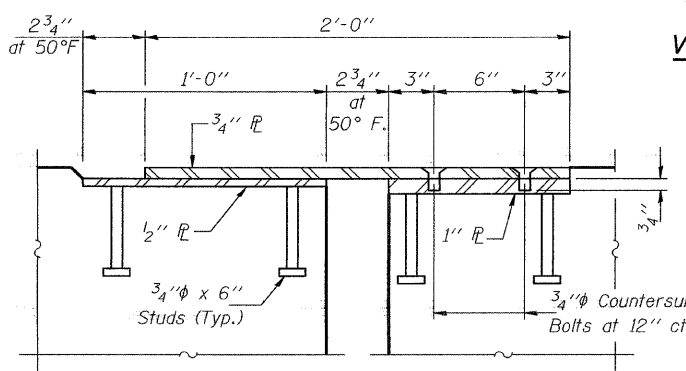
Note:
All stools cut from W30x90 (NTR) sections.

SECTION D-D

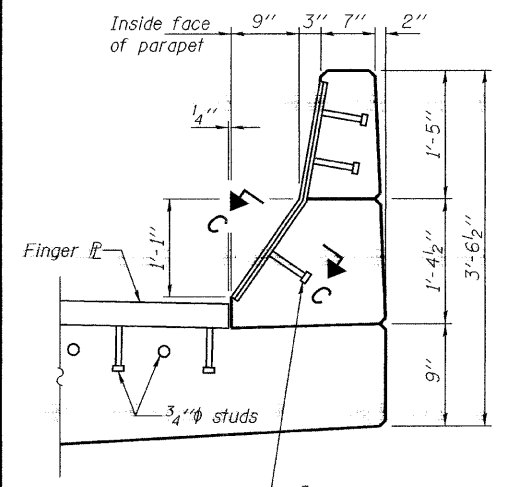


FLAME CUTTING DIAGRAM

Cut from PL 1 3/8" x 2'-0 1/4" (NTR)



SECTION C-C



DETAIL A

DESIGNED	ATH
CHECKED	AJB
DRAWN	Steffen
CHECKED	ATH AJB

JULY 31, 2008

EXAMINED *Carl Perry*
ENGINEER OF STRUCTURAL SERVICES

PASSED *Ralph E. Anderson*
ENGINEER OF BRIDGES AND STRUCTURES

REPAIR DETAILS
FA RT. 1 SPUR
LAWRENCE COUNTY
SN 051-0053