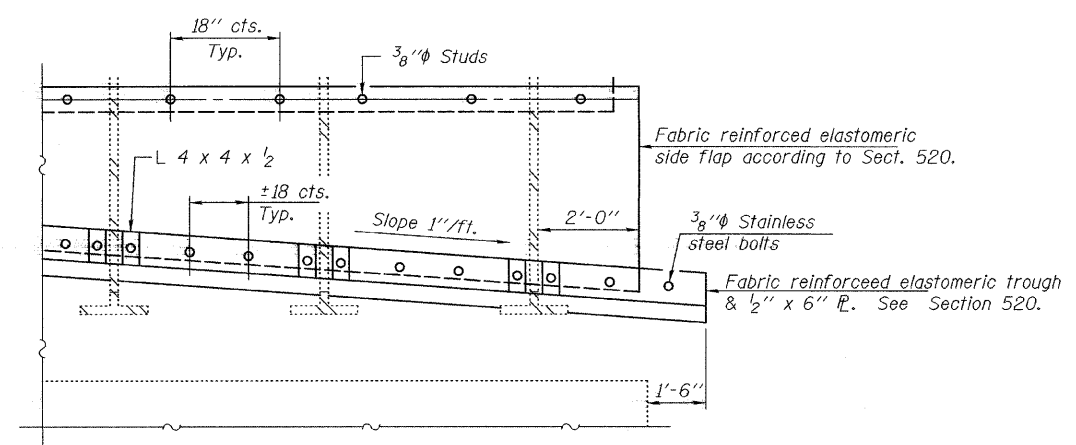


STATE OF ILLINOIS
DEPARTMENT OF TRANSPORTATION

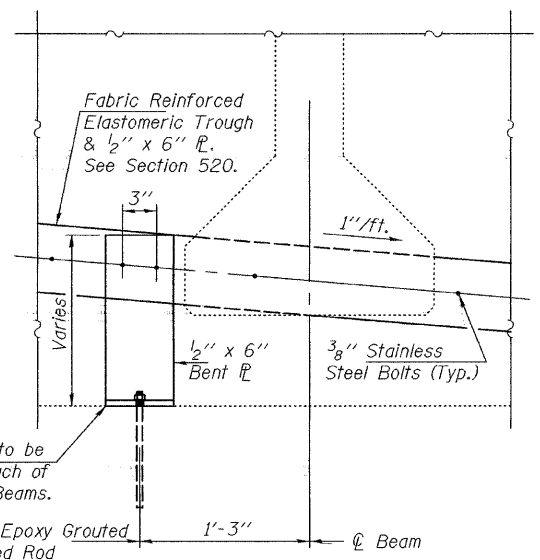
ROUTE NO.	SECTION	COUNTY	TOTAL SHEETS	SHEET NO.
FA 1	*	LAWRENCE	22	20
FED. ROAD DIST. NO. 7	ILLINOIS	FED. AID PROJECT		

SHEET NO. 4
6 SHEETS

Contract Number: 74328
* D7 Bridge Repairs 2009-2

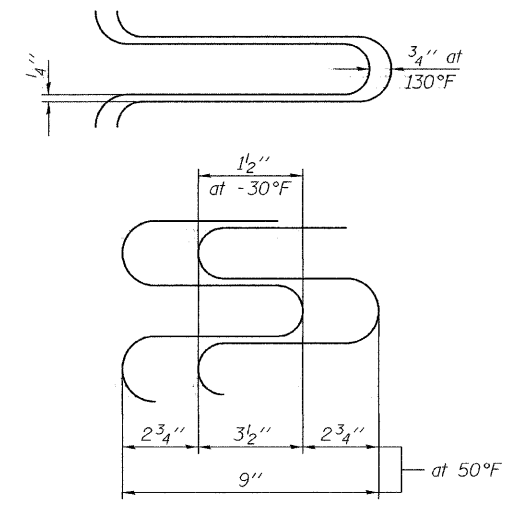


SECTION E-E

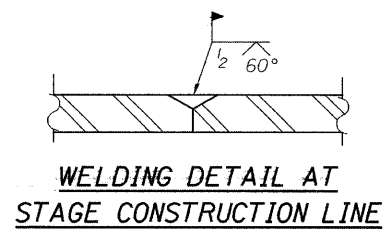


SECTION F-F

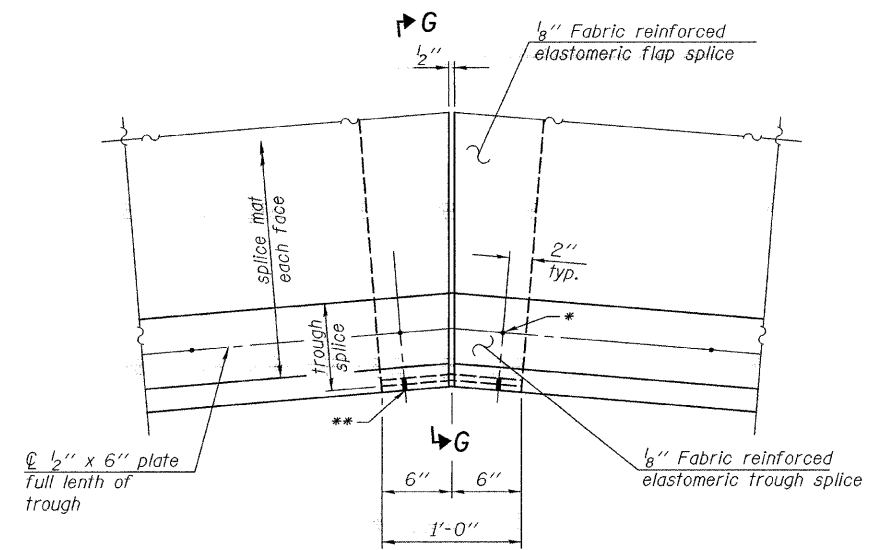
Bent PL's are to be placed near each of the 6 PPC I-Beams.



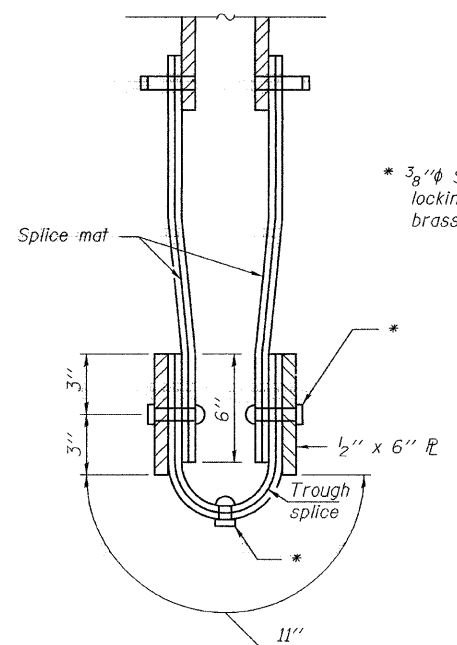
FINGER DETAIL



WELDING DETAIL AT STAGE CONSTRUCTION LINE

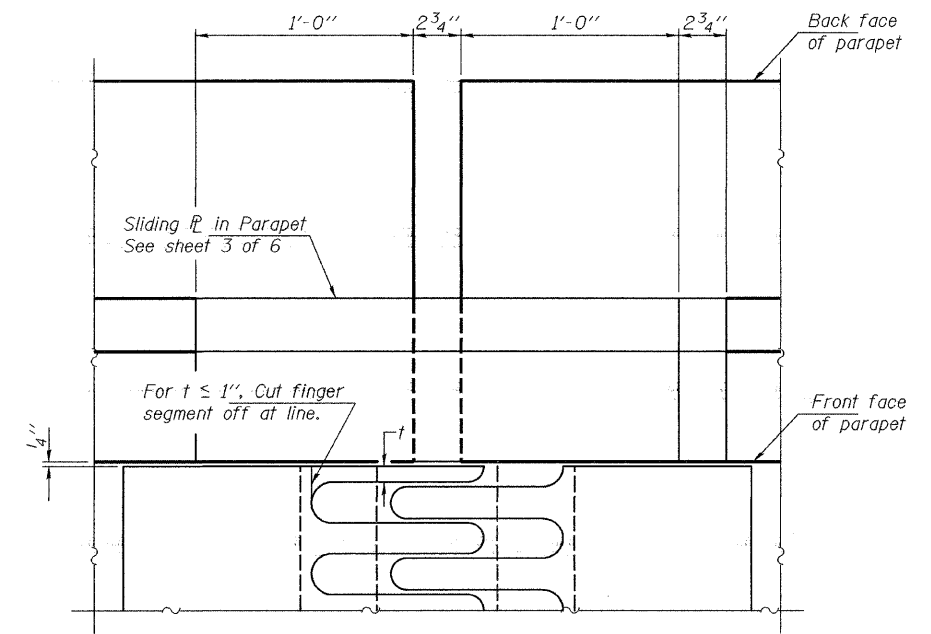


TROUGH SPLICE DETAIL



SECTION G-G

* 3/8" Stainless Steel bolts with locking washers & nuts. Provide brass grommet in trough.



DETAIL B

DESIGNED	ATH
CHECKED	AJB
DRAWN	Steffen
CHECKED	ATH AJB

JULY 31, 2008
EXAMINED *Carl Perry*
ENGINEER OF STRUCTURAL SERVICES
PASSED *Ralph E. Anderson*
ENGINEER OF BRIDGES AND STRUCTURES

REPAIR DETAILS
FA RT. 1 SPUR
LAWRENCE COUNTY
SN 051-0053