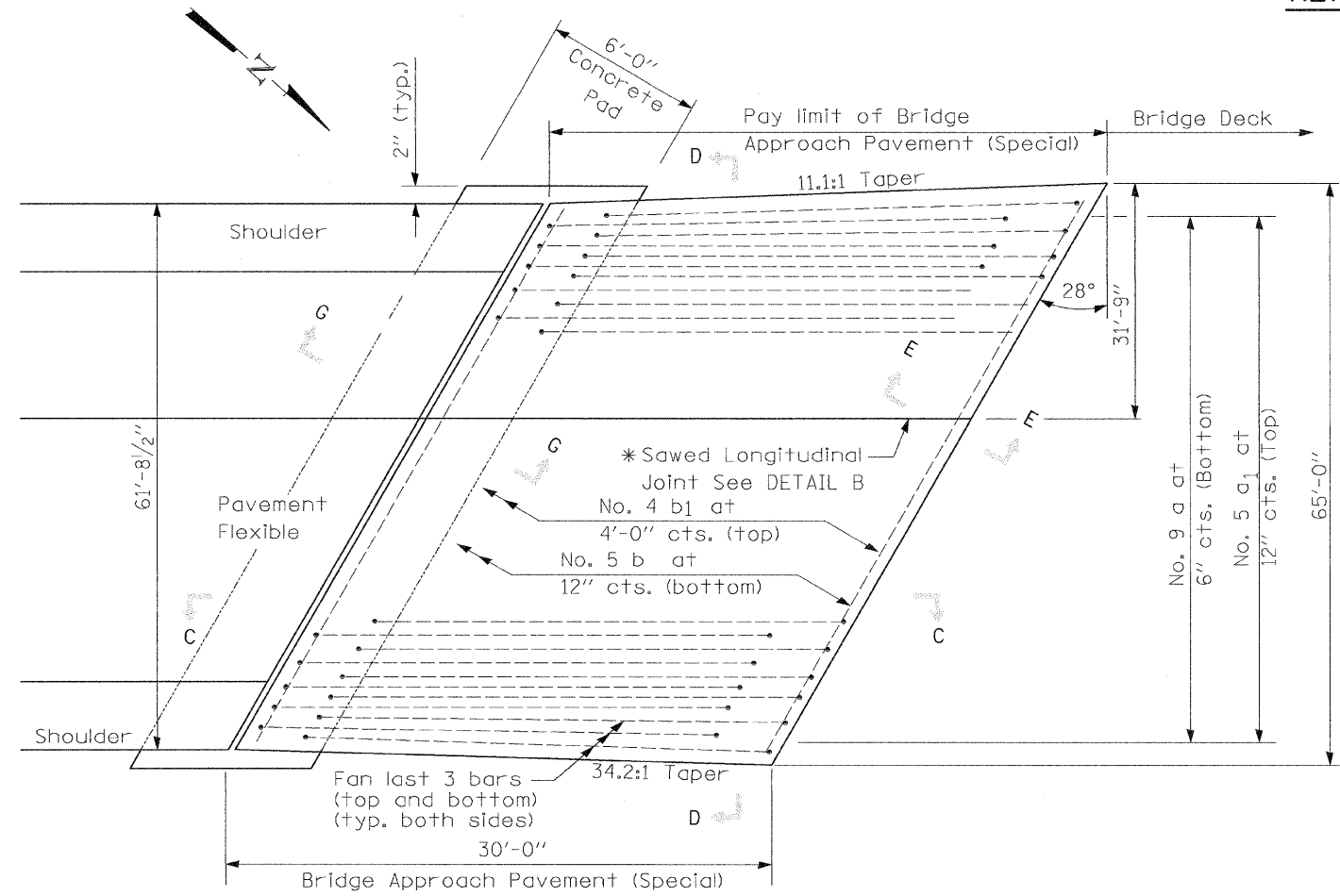
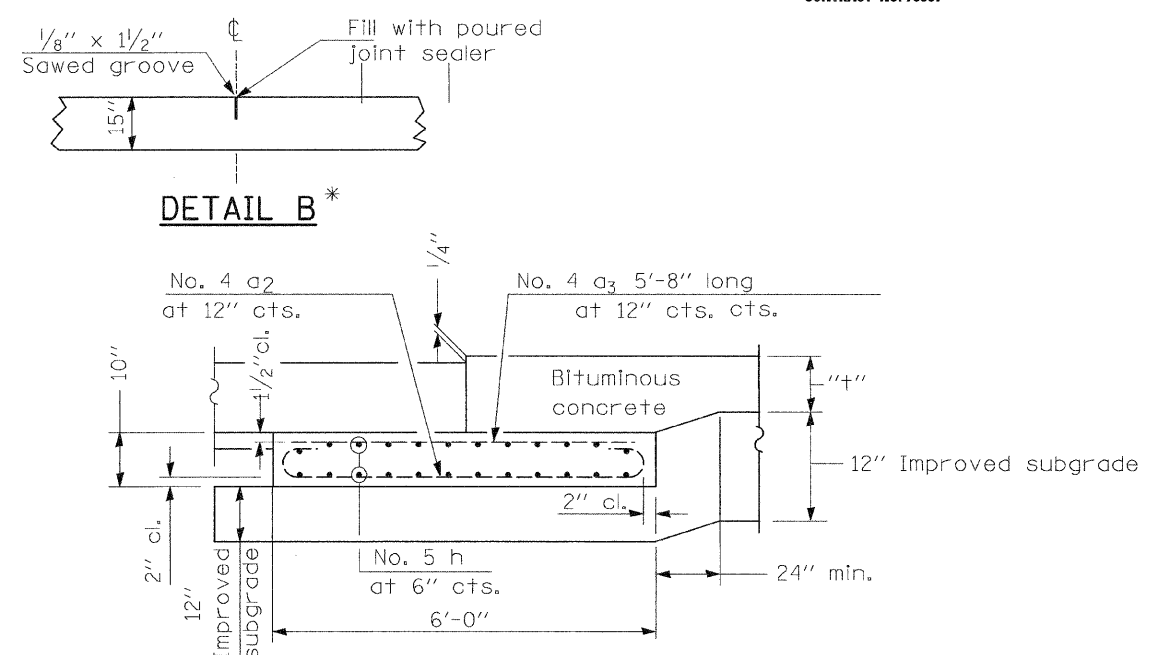


F.A.P. RTE.	SECTION	COUNTY	TOTAL SHEETS	SHEET NO.
310	60-(16B, 16-1B)	MADISON	62	16
STA. 165+05.98 TO STA. 165+35.98				
FED. ROAD DIST. NO. ILLINOIS FED. AID PROJECT				
CONTRACT NO. 76567				

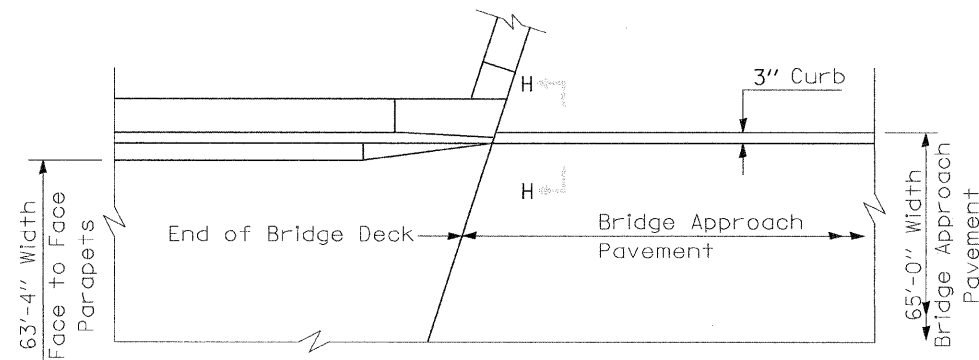
NEW CONSTRUCTION



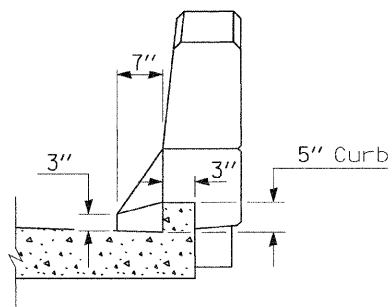
PLAN - WITH SKEW



SECTION G-G - FLEXIBLE PAVEMENT
(Showing reinforcement)



PARAPET TO CURB TRANSITION INTEGRAL ABUTMENT



SECTION H - H

GENERAL NOTES

THICKNESS-''+''=Thickness of Pavement.
See Standard 421001 for reinforcement details not shown.
See Standard 420001 for details of joints not shown.

(Sheet 1 of 2)

DESIGNED	J.L.G.
CHECKED	G.E.P.
DRAWN	B.A.D.
CHECKED	J.L.G.

* Saw ϕ or lane edge if poured two or more lane widths at a time.
** Omit Reinforcement, tie bars and sawed Long. Jt. for Flexible Pavement.

REVISIONS	
NAME	DATE

ILLINOIS DEPARTMENT OF TRANSPORTATION
SOUTH BRIDGE
APPROACH PAVEMENT
S.N. 060-0329
SCALE: NO SCALE
DATE: 08-13-02
DRAWN BY: JLG
CHECKED BY: GEP