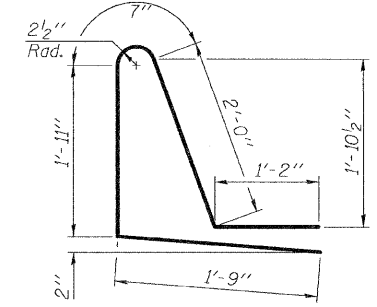
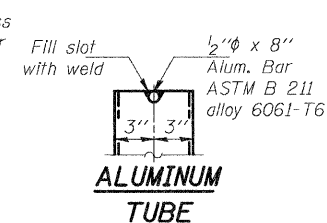
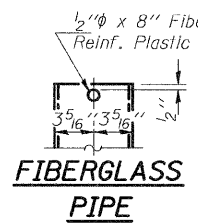
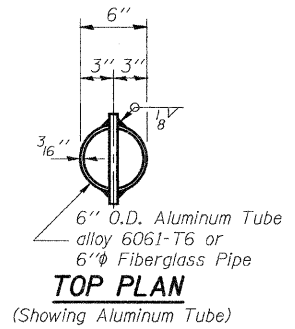
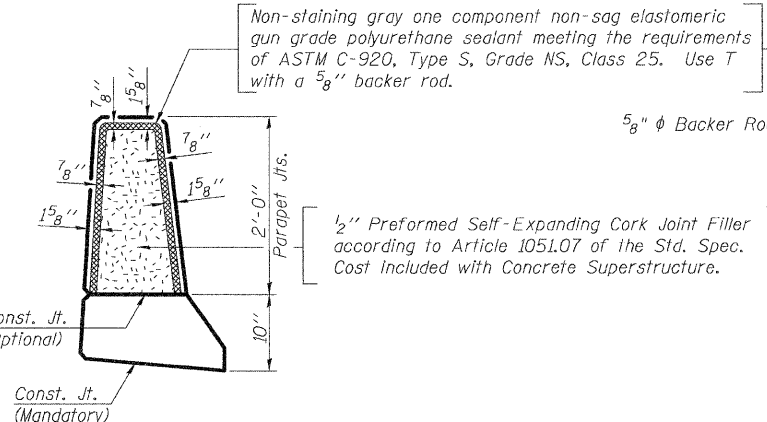


**INSIDE ELEVATION OF PARAPET**

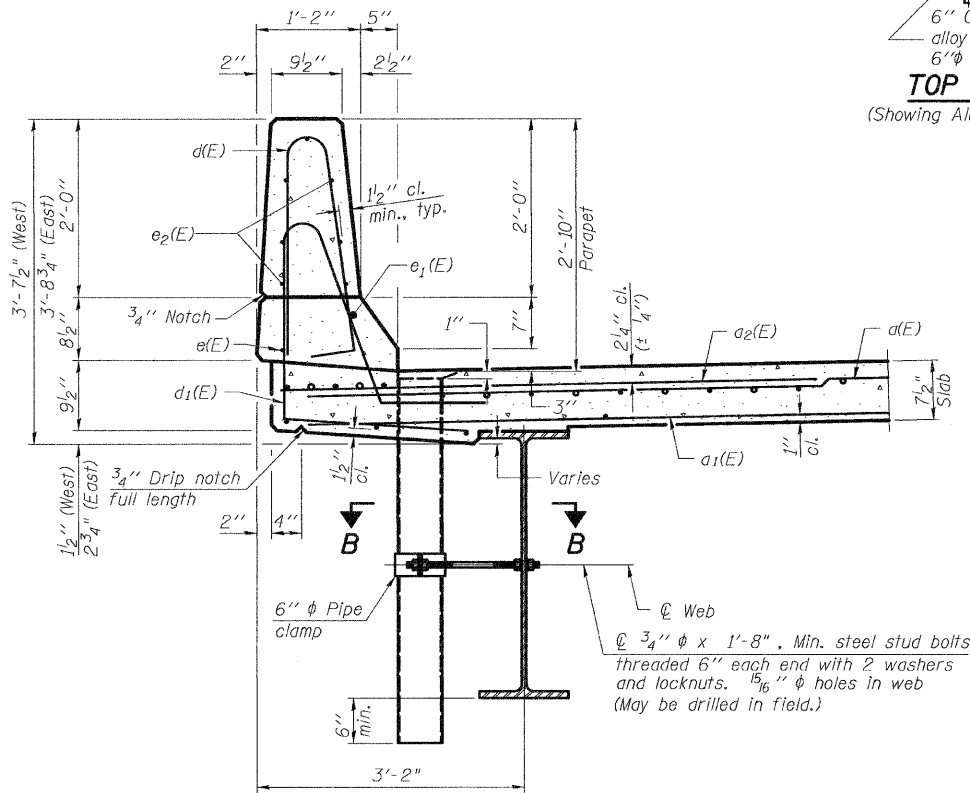


**SUPERSTRUCTURE BILL OF MATERIAL**

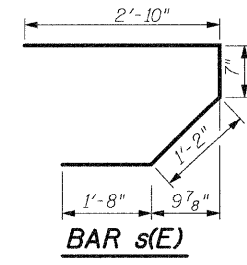
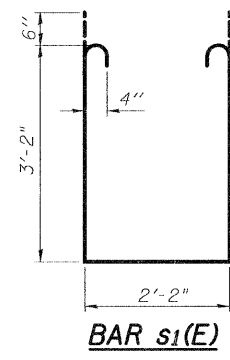
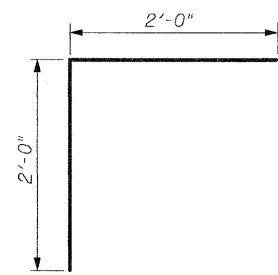
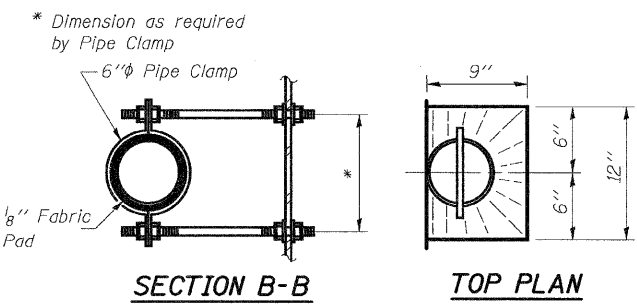
| Bar                              | No. | Size     | Length  | Shape |
|----------------------------------|-----|----------|---------|-------|
| a(E)                             | 117 | #5       | 29'-10" | —     |
| a1(E)                            | 83  | #5       | 26'-1"  | —     |
| a2(E)                            | 112 | #6       | 4'-0"   | —     |
| a3(E)                            | 83  | #5       | 18'-8"  | —     |
| a4(E)                            | 117 | #5       | 14'-1"  | —     |
| a5(E)                            | 8   | #5       | 25'-6"  | —     |
| b(E)                             | 92  | #5       | 30'-1"  | —     |
| b2(E)                            | 123 | #5       | 20'-7"  | —     |
| d(E)                             | 130 | #5       | 5'-7"   | ⌒     |
| d1(E)                            | 130 | #5       | 7'-9"   | ⌒     |
| e(E)                             | 4   | #5       | 30'-1"  | —     |
| e1(E)                            | 4   | #8       | 31'-0"  | —     |
| e2(E)                            | 42  | #4       | 19'-3"  | —     |
| v(E)                             | 84  | #5       | 4'-0"   | ⌒     |
| m(E)                             | 8   | #6       | 24'-9"  | —     |
| m1(E)                            | 12  | #6       | 26'-6"  | —     |
| m2(E)                            | 24  | #6       | 10'-6"  | —     |
| m3(E)                            | 10  | #6       | 8'-1"   | —     |
| m4(E)                            | 4   | #6       | 3'-1"   | —     |
| s(E)                             | 82  | #5       | 6'-3"   | ⌒     |
| s1(E)                            | 82  | #4       | 9'-6"   | ⌒     |
| Reinforcement Bars, Epoxy Coated |     | Pound    | 21,150  |       |
| Concrete Superstructure          |     | Cu. Yds. | 103.1   |       |
| Protective Coat                  |     | Sq. Yds. | 311     |       |
| Floor Drains                     |     | Each     | 4       |       |
| Bar Splicers                     |     | Each     | 84      |       |
| Bridge Deck Grooving             |     | Sq. Yds. | 250     |       |



**PARAPET JOINT DETAILS**



**SECTION THRU PARAPET**



**SUPERSTRUCTURE DETAILS  
FAP 310 (US 67) OVER TRIB  
SOUTH BRANCH OF PIASA CREEK  
SECTION 60-(16B, 16-1B)  
MADISON COUNTY STA 160+24.00  
SN 060-0328**

|          |        |
|----------|--------|
| DESIGNED | G.E.P. |
| CHECKED  | G.E.P. |
| DRAWN    | B.A.D. |
| CHECKED  | J.L.G. |