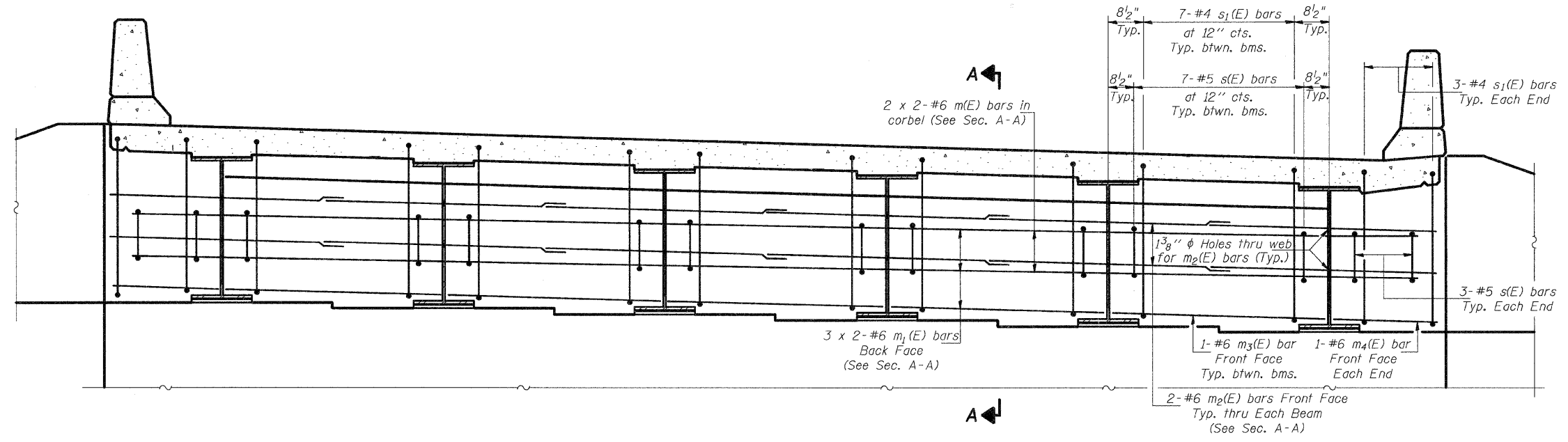


STATE OF ILLINOIS
DEPARTMENT OF TRANSPORTATION

F.A.P. RTE.	SECTION	COUNTY	TOTAL SHEETS	SHEET NO.
310	60-(16B, 16-1B)	MADISON	62	25
STA. 160+24.00				
FED. ROAD DIST. NO. ILLINOIS FED. AID PROJECT				
CONTRACT NO. 76567				

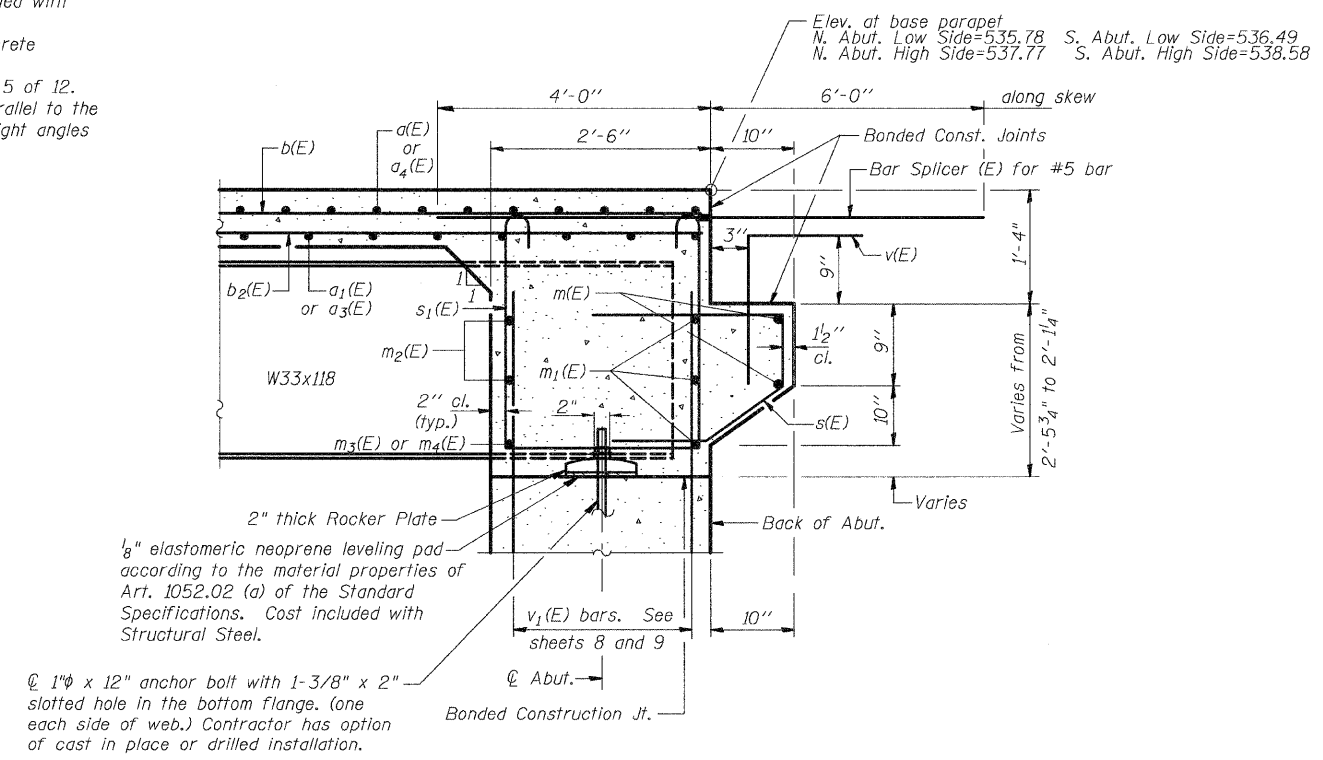
Sheet No. 6
12 Sheets



DIAPHRAGM ELEVATION AT ABUTMENT

(S. Abut. Shown Looking South - N. Abut. similar)

Notes: Reinforcement bars in diaphragm are billed with superstructure on sheet 5 of 12.
Concrete in diaphragm is included with Concrete Superstructure on sheet 5 of 12.
For details of bars s(E) & s₁(E) see sheet 5 of 12.
The s(E) and s₁(E) bars shall be placed parallel to the beams. Spacing for these bars shall be at right angles to the beams.
For anchor bolt details see sheet 10 of 12.



SECTION A-A

Dimensions at right angles to abutment, except as shown.
* Cost included with Concrete Structures.

DESIGNED	G.E.P.
CHECKED	G.E.P.
DRAWN	B.A.D.
CHECKED	J.L.G.

SI-DSI 12/21/00

SUPERSTRUCTURE DETAILS
FAP 310 (US 67) OVER TRIB
SOUTH BRANCH OF PIASA CREEK
SECTION 60-(16B, 16-1B)
MADISON COUNTY STA 160+24.00
SN 060-0328