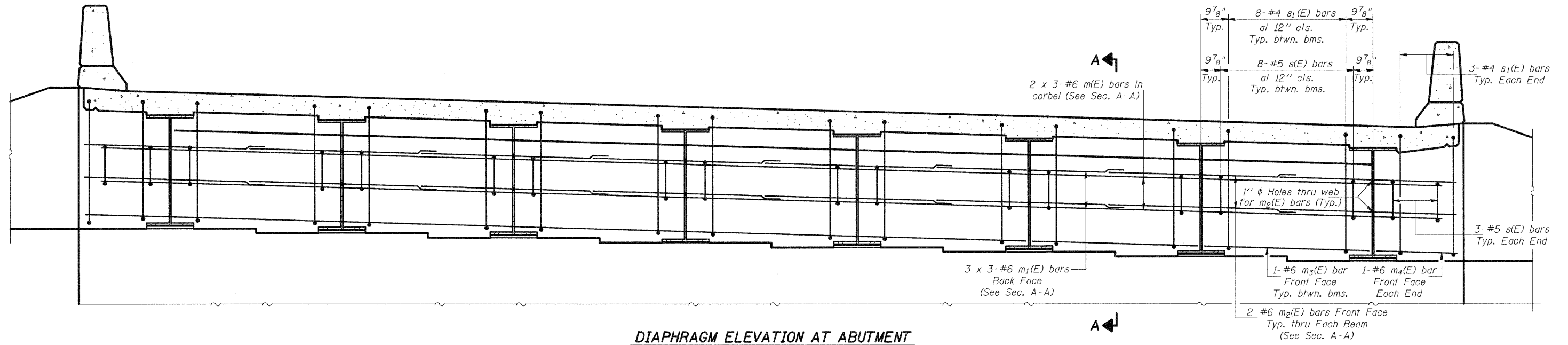


STATE OF ILLINOIS
DEPARTMENT OF TRANSPORTATION

| | | | | |
|--------------------|-----------------|------------------|--------------|-----------|
| F.A.P. RTE. | SECTION | COUNTY | TOTAL SHEETS | SHEET NO. |
| 310 | 60-(16B, 16-1B) | MADISON | 62 | 38 |
| STA. 165+75.19 | | | | |
| FED. ROAD DIST. | ILLINOIS | FED. AID PROJECT | | |
| CONTRACT NO. 76567 | | | | |

Sheet No. 7
13 Sheets

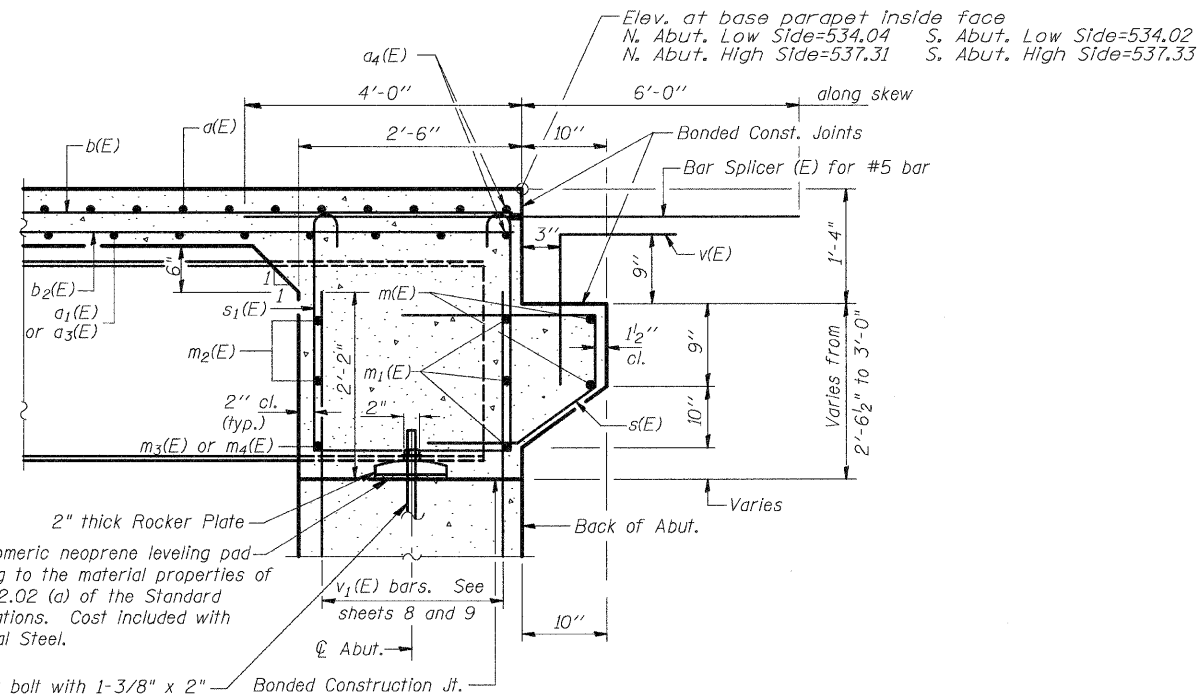


DIAPHRAGM ELEVATION AT ABUTMENT

Notes: Reinforcement bars in diaphragm are billed with superstructure on sheet 6 of 13.
Concrete in diaphragm is included with Concrete Superstructure on sheet 6 of 13.
For details of bars s(E) & s₁(E) see sheet 6 of 13.
The s(E) and s₁(E) bars shall be placed parallel to the beams. Spacing for these bars shall be at right angles to the beams.
For anchor bolt details see sheet 12 of 13.

MIN. BAR LAP

#6 bar = 2'-9" (Top Bar)
#6 bar = 2'-0"



SECTION A-A

Dimensions at right angles to abutment, except as shown.
* Cost included with Concrete Structures.

| | |
|----------|--------|
| DESIGNED | B.W.P. |
| CHECKED | R.P.B. |
| DRAWN | D.J.S. |
| CHECKED | R.P.B. |

SI-DS1 2-14-01

SUPERSTRUCTURE DETAILS
FAP 310 (US 67) OVER
SOUTH BRANCH OF PIASA CREEK
SECTION 60-(16B, 16-1B)
MADISON COUNTY STA 165+71.94
SN 060-0329

C:\pwworkspace\Illinois\Projects\72572618\11.14.17.dwg