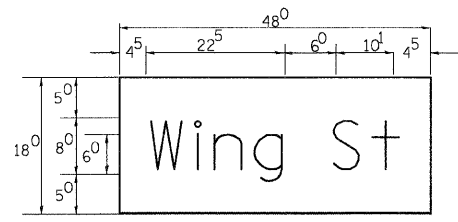


•REF-
•REF-
•REF-

CONTRACT NO.: 83943

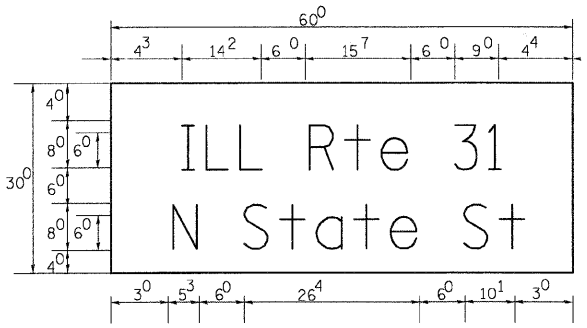
F.A.U. RTE.	SECTION	COUNTY	TOTAL SHEETS	SHEET NO.
388796-00159-00-CH		KANE	70	41
STA.		TO STA.		
FED. ROAD DIST. NO. 1		ILLINOIS FED. AID PROJECT		

PANEL SIGN DESIGN TYPE 1



1 Sq. M. each
6.0 Sq. Ft. each
2 Required
Design Series D

PANEL SIGN DESIGN TYPE 2



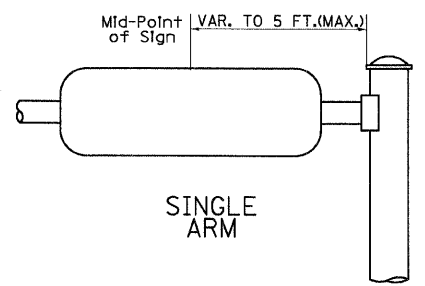
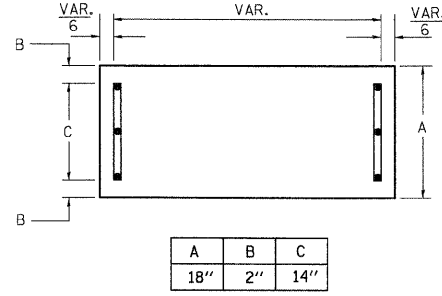
1 Sq. M. each
12.50 Sq. Ft. each
2 Required
Design Series D

NOTE: SIGN DIMENSIONS ARE IN ENGLISH UNITS

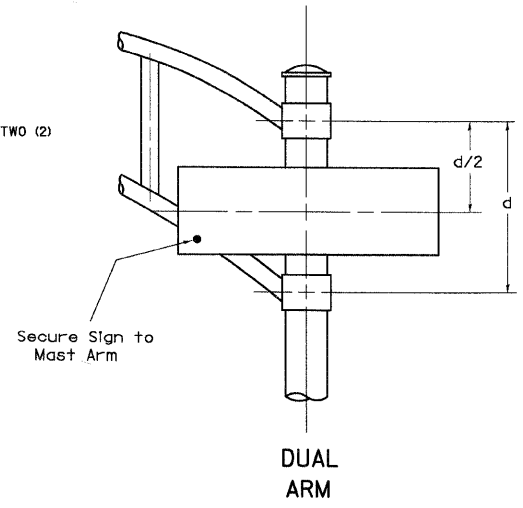
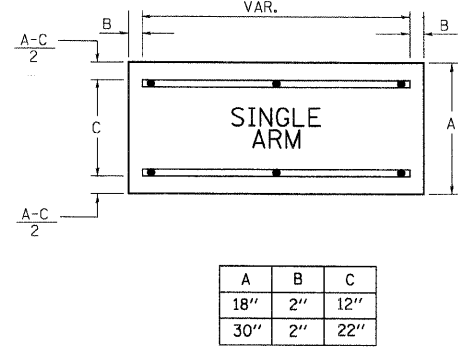
GENERAL NOTES

- WHERE MAST ARM MOUNTED STREET NAME SIGNS ARE SPECIFIED, THE MAST ARM ASSEMBLY AND POLES SHALL BE DESIGNED TO SUPPORT THE LOADINGS CALLED FOR ON STANDARDS 834001, 834006 AND 834011, AS APPLICABLE, PLUS TWO (2) SIGN PANELS 2'-6" x 6'-0" MOUNTED AS SHOWN. THE DESIGN SHALL BE IN ACCORDANCE WITH THE REQUIREMENTS OF THE CURRENT "STANDARD SPECIFICATIONS FOR STRUCTURAL SUPPORTS FOR HIGHWAY SIGNS, LUMINAIRES, AND TRAFFIC SIGNALS" AS PUBLISHED BY THE AMERICAN ASSOCIATION OF STATE HIGHWAY AND TRANSPORTATION OFFICIALS FOR 80 M.P.H. WIND VELOCITY.
 - ALL SIGNS SHALL HAVE A WHITE REFLECTORIZED LEGEND AND BORDER ON A GREEN REFLECTORIZED BACKGROUND, TYPE A SHEETING.
 - THE SIGN LENGTH SHOULD BE INCREASED IN 6-INCH INCREMENTS, BUT THE OVERALL LENGTH SHOULD NOT EXCEED 6'-0".
 - ALL BORDERS SHALL BE 3/4" WIDE AND CORNER RADIUS SHALL BE 2-1/4".
 - SIGNFIX ALUMINUM CHANNEL FRAMING SYSTEM SHALL BE USED FOR ALL SIGNS ATTACHED TO SIGNAL POLES AND POSTS. LOCAL SUPPLIERS OF THE SIGNFIX ALUMINUM CHANNEL FRAMING SYSTEM ARE:
 - * A.K.T. CORPORATION SCHAUMBURG, IL
 - * TUCKER COMPANY, INC. WAUWATOSA, WI
 - * AMERICAN FABRICATION CO. CHICAGO HEIGHTS, IL
 - * WESTERN TRAFFIC CONTROL INC. CICERO, IL
- PARTS LISTING:
SIGN CHANNEL PART #HPN053 (MED. CHANNEL)
SIGN SCREWS 1/4" x 14 x 1" H.W.H. #3
SELF TAPPING WITH NEOPRENE WASHER
BRACKETS PART #HPN034 (UNIVERSAL)
CHANNEL CLAMPS WITH STAINLESS STEEL STRAPPING
- OTHER BRANDS OF MOUNTING HARDWARE ARE ACCEPTABLE, BASED UPON THE DEPARTMENT'S APPROVAL AND COMPATIBILITY WITH THE CHANNEL/BACKET OF THE ABOVE PRODUCT.

SUPPORTING CHANNELS



SUPPORTING CHANNELS



DUAL ARM
SIGNFIX ALUMINUM CHANNEL FRAMING SYSTEM
Shall be used. See Note #5.

Upper Case To Lower Case
Spacing Chart 8-6 Inch Series "C & D"

FIRST LETTER	SECOND LETTER																			
	acde		goq		bhikl		mnp ru		f w		J		s t		v y		x		z	
	C	D	C	D	C	D	C	D	C	D	C	D	C	D	C	D	C	D	C	D
A W X	12	14	14	15	12	14	06	10	11	14	06	10	11	12	12	14	12	14	16	17
B	14	15	20	21	14	15	11	12	14	15	12	14	12	14	14	15	14	15		
C E G	14	15	20	21	12	14	06	10	12	14	12	14	14	15	14	15				
D O Q R	14	15	20	21	14	15	06	10	12	14	12	14	14	15	14	15				
F	05	06	14	15	06	10	05	06	06	10	06	10	06	10	11	12				
H I M N	20	21	22	24	20	21	14	15	16	17	16	17	20	21	20	21				
J U	20	21	20	21	16	17	14	15	16	17	16	17	16	17	20	21				
K L	11	12	16	17	11	12	05	06	11	12	11	12	11	12	12	14				
P	12	14	14	15	12	14	05	06	11	12	11	12	12	14	12	14				
S	12	14	16	17	12	14	06	10	12	14	12	14	12	14	12	14				
T	11	12	16	17	06	10	06	10	11	12	11	12	11	12	12	14				
V	06	10	14	15	11	12	06	10	12	14	12	14	12	14	12	14				
Y	05	06	14	15	06	10	05	06	05	07	05	06	06	10	11	12				
Z	16	17	22	24	16	17	12	14	16	17	16	17	16	17	20	21				

Lower Case To Lower Case
Spacing Chart 6 Inch Series "C & D"

FIRST LETTER	SECOND LETTER																			
	acde		goq		bhikl		mnp ru		f w		J		s t		v y		x		z	
	C	D	C	D	C	D	C	D	C	D	C	D	C	D	C	D	C	D	C	D
adhglj	16	17	22	24	16	17	12	14	14	15	14	15	16	17	16	17				
lmnqu																				
bfkops	12	14	16	17	11	12	05	06	11	12	11	12	12	14	12	14				
c e	12	14	16	17	12	14	06	10	12	14	12	14	12	14	12	14				
r	06	10	12	14	06	10	03	03	05	06	05	06	06	10	06	10				
+ z	12	14	16	17	12	14	06	10	11	12	11	12	12	14	12	14				
v y	11	12	14	15	11	12	05	06	06	10	06	10	11	12	11	12				
w	11	12	14	15	11	12	05	06	11	12	11	12	11	12	12	14				
x	12	14	16	17	11	12	05	06	11	12	11	12	11	12	12	14				

Number To Number
Spacing Chart 8 Inch Series "C & D"

FIRST NUMBER	SECOND NUMBER																			
	0		1		2		3		4		5		6		7		8		9	
	C	D	C	D	C	D	C	D	C	D	C	D	C	D	C	D	C	D	C	D
0 9	16	17	16	17	14	15	12	14	14	15	14	15	16	17	12	14	16	17	16	17
1	20	21	20	21	20	21	16	17	14	15	20	21	20	21	14	15	20	21	20	21
2 3 4	14	15	14	15	14	15	12	14	12	14	14	15	14	15	11	12	16	17	14	15
5	14	15	14	15	14	15	11	12	11	12	14	15	14	15	11	12	14	15	14	15
6	16	17	14	15	14	15	12	15	12	14	14	15	14	15	11	12	14	15	14	15
7	12	14	12	14	14	15	12	15	05	06	12	14	14	15	11	12	14	15	12	14
8	16	17	16	17	14	15	12	15	12	14	14	15	16	17	12	14	16	17	14	15

UPPER AND LOWER CASE
LETTER WIDTHS

LETTERS	6 INCH UPPER CASE LETTERS				8 INCH UPPER CASE LETTERS				6 INCH LOWER CASE LETTERS			
	SERIES		SERIES		SERIES		SERIES		SERIES		SERIES	
	C	D	C	D	C	D	C	D	C	D	C	D
A	36	50	50	65	a	35	42					
B	32	40	43	53	b	35	42					
C	32	40	43	53	c	35	41					
D	32	40	43	53	d	35	42					
E	30	35	40	47	e	35	42					
F	30	35	40	47	f	23	26					
G	32	40	43	53	g	35	42					
H	32	40	43	53	h	35	42					
I	07	07	11	12	i	11	11					
J	30	36	40	50	j	20	22					
K	32	41	43	54	k	35	42					
L	30	35	40	47	l	11	11					
M	37	45	51	61	m	60	70					
N	32	40	43	53	n	35	42					
O	34	42	45	55	o	36	43					
P	32	40	43	53	p	35	42					
Q	34	42	45	55	q	35	42					
R	32	40	43	53	r	26	32					
S	32	40	43	53	s	36	42					
T	30	35	40	47	t	27	32					
U	32	40	43	53	u	35	42					
V	35	44	47	60	v	42	47					
W	44	52	60	70	w	55	64					
X	34	40	45	53	x	44	51					
Y	36	50	50	66	y	46	53					
Z	32	40	43	53	z	36	43					

NUMBER	6 INCH SERIES		8 INCH SERIES	
	C	D	C	D
1	12	14	15	20
2	32	40	43	53
3	32	40	43	53
4	35	43	47	57
5	32	40	43	53
6	32	40	43	53
7	32	40	43	53
8	32	40	43	53
9	32	40	43	53
0	34	42	45	55

REVISIONS	
NAME	DATE
D.A.Z./D.A.G.	11/90
	6/98
CADD	10/00

Illinois Department of Transportation
DISTRICT 1
**MAST ARM MOUNTED
STREET NAME SIGNS**
SCALE: NONE
DATE: **DATE**
DRAWN BY: ROB
DESIGNED BY: JHE
CHECKED BY: DAD

DATE-TIME
DGN-SPEC
USER