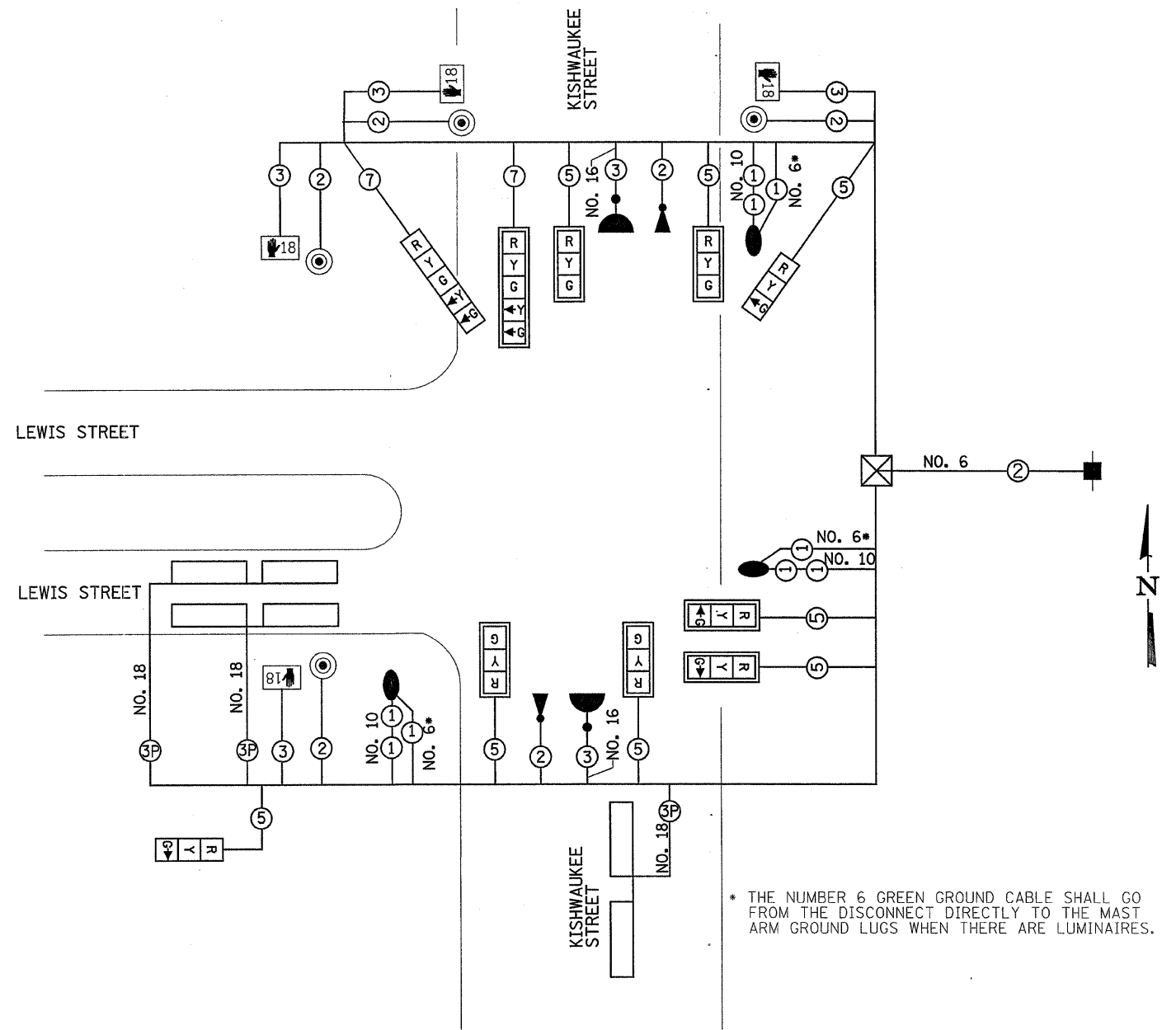


TABULATION OF QUANTITIES

80500100*	SERVICE INSTALLATION, TYPE A	EACH	1
81012600	CONDUIT IN TRENCH, 2" DIA., PVC	FOOT	253
81012700	CONDUIT IN TRENCH, 2 1/2" DIA., PVC	FOOT	26
81012800	CONDUIT IN TRENCH, 3" DIA., PVC	FOOT	8
81012900	CONDUIT IN TRENCH, 3 1/2" DIA., PVC	FOOT	273
81013000	CONDUIT IN TRENCH, 4" DIA., PVC	FOOT	10
81400100	HANDHOLE	EACH	2
81400300	DOUBLE HANDHOLE	EACH	1
81702110	ELECTRIC CABLE IN CONDUIT, 600 V (XLP TYPE USE) 1/C NO.10	FOOT	694
81702130	ELECTRIC CABLE IN CONDUIT, 600 V (XLP TYPE USE) 1/C NO.6	FOOT	347
81900200	TRENCH AND BACKFILL FOR ELECTRICAL WORK	FOOT	570
82103250	LUMINAIRE, SODIUM VAPOR, HORIZONTAL MOUNT, PHOTO CELL CONTROL, 250 WATT	EACH	3
85700200*	FULL-ACTUATED CONTROLLER AND TYPE IV CABINET	EACH	1
87301215	ELECTRIC CABLE IN CONDUIT, SIGNAL NO. 14 2C	FOOT	633
87301225	ELECTRIC CABLE IN CONDUIT, SIGNAL NO. 14 3C	FOOT	670
87301245	ELECTRIC CABLE IN CONDUIT, SIGNAL NO. 14 5C	FOOT	1,065
87301255	ELECTRIC CABLE IN CONDUIT, SIGNAL NO. 14 7C	FOOT	349
87301515	ELECTRIC CABLE IN CONDUIT, LEAD-IN, NO.18 3 PAIR	FOOT	657
87301805	ELECTRIC CABLE IN CONDUIT, SERVICE, NO. 6 2C	FOOT	225
87502480	TRAFFIC SIGNAL POST, GALVANIZED STEEL, 14 FT.	EACH	1
87702840	STEEL COMBINATION MAST ARM ASSEMBLY AND POLE, 22 FT.	EACH	1
87702930	STEEL COMBINATION MAST ARM ASSEMBLY AND POLE, 40 FT.	EACH	1
87702960	STEEL COMBINATION MAST ARM ASSEMBLY AND POLE, 46 FT.	EACH	1
87800100	CONCRETE FOUNDATION, TYPE A	FOOT	3
87800200	CONCRETE FOUNDATION, TYPE D	FOOT	3.5
87800400	CONCRETE FOUNDATION, TYPE E 30-INCH DIAMETER	FOOT	10
87800415*	CONCRETE FOUNDATION, TYPE F 36-INCH DIAMETER	FOOT	26
88040070	SIGNAL HEAD, POLYCARBONATE, LED, 1-FACE, 3 SECTION, BRACKET MOUNTED	EACH	2
88040090	SIGNAL HEAD, POLYCARBONATE, LED, 1-FACE, 3 SECTION, MAST ARM MOUNTED	EACH	6
88040150	SIGNAL HEAD, POLYCARBONATE, LED, 1-FACE, 5 SECTION, BRACKET MOUNTED	EACH	1
88040160	SIGNAL HEAD, POLYCARBONATE, LED, 1-FACE, 5 SECTION, MAST ARM MOUNTED	EACH	1
88102717	PEDESTRIAN SIGNAL HEAD, LED, 1-FACE, BRACKET MOUNTED WITH COUNTDOWN TIMER	EACH	4
88200410	TRAFFIC SIGNAL BACKPLATE, LOUVERED, FORMED PLASTIC	EACH	7
88500100	INDUCTIVE LOOP DETECTOR	EACH	3
88600100	DETECTOR LOOP, TYPE 1	FOOT	411
88800100	PEDESTRIAN PUSH BUTTON	EACH	4
*	ELECTRIC CABLE IN CONDUIT, EVP, NO. 14 2/C	FOOT	335
*	ELECTRIC CABLE IN CONDUIT, EVP, NO. 16 3/C	FOOT	335
XX004010*	OPTIC 4 CARD & RACK IN CONTROLLER	EACH	1
XX004011*	TOMAR EVP SIGNAL SENSOR	EACH	2

CABLE PLAN

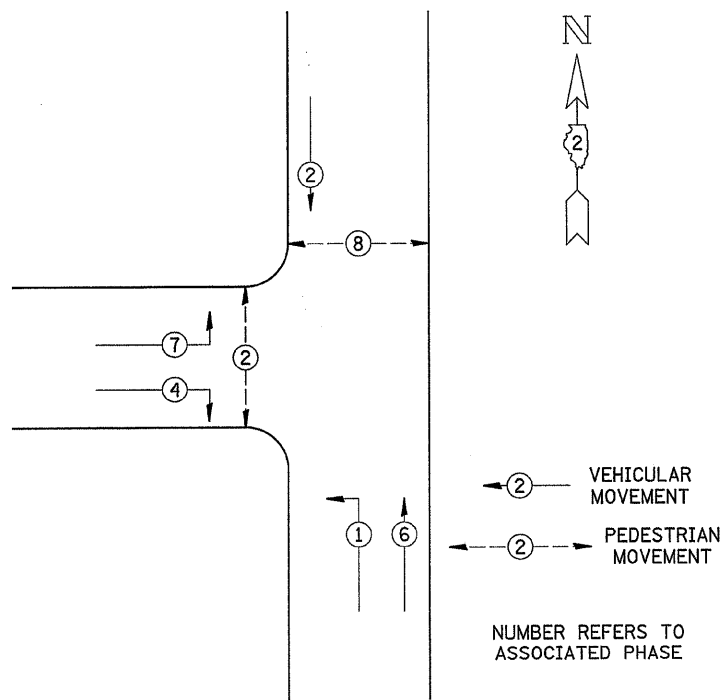
F.A. RTE.	SECTION	COUNTY	TOTAL SHEETS	SHEET NO.
FAP734	98-00480-00-BR 03-00522-00-TL	WINNEBAGO	62	26
STA.	TO STA.			
FED. ROAD DIST. NO.	ILLINOIS	FED. AID PROJECT		



* THE NUMBER 6 GREEN GROUND CABLE SHALL GO FROM THE DISCONNECT DIRECTLY TO THE MAST ARM GROUND LUGS WHEN THERE ARE LUMINAIRES.

PHASE DESIGNATION

PHASE DESIGNATION DIAGRAM



REFER TO STANDARD 857001

Lewis St

2 REQUIRED (FONT PER CITY STANDARD)

NOTE:

CITY WILL SUPPLY STREET SIGNS.
THE CONTRACTOR WILL BE RESPONSIBLE FOR THEIR INSTALLATION.

Kishwaukee St

1 REQUIRED (FONT PER CITY STANDARD)

LEGEND

- ② INDICATES NUMBER OF NEW CONDUCTORS. ALL CABLE IS NO. 14 EXCEPT AS INDICATED. "P" INDICATES PAIR CABLE.
- 18 PROPOSED PEDESTRIAN COUNTDOWN SIGNAL HEAD
- R Y G PROPOSED SIGNAL HEAD WITHOUT BACKPLATE
- R Y G PROPOSED SIGNAL HEAD WITH BACKPLATE
- ⊗ PROPOSED CONTROLLER CABINET
- PROPOSED LUMINAIRE, 250 WATT
- ▲ EMERGENCY VEHICLE LIGHT DETECTOR
- ◐ CONFIRMATION BEACON
- PROPOSED VEHICLE DETECTOR LOOP
- ⊙ PROPOSED PEDESTRIAN PUSH BUTTON
- PROPOSED POWER SOURCE

WILLET, HOFMANN & ASSOCIATES, INC.
CONSULTING ENGINEERS
Land Surveying - Transportation - Structural
Environmental - Architecture
809 East Second Street Dixon, Illinois 61021
Phone 815.284.3361 Fax 815.284.3365
Design Firm #184-000918
www.willett-hofmann.com