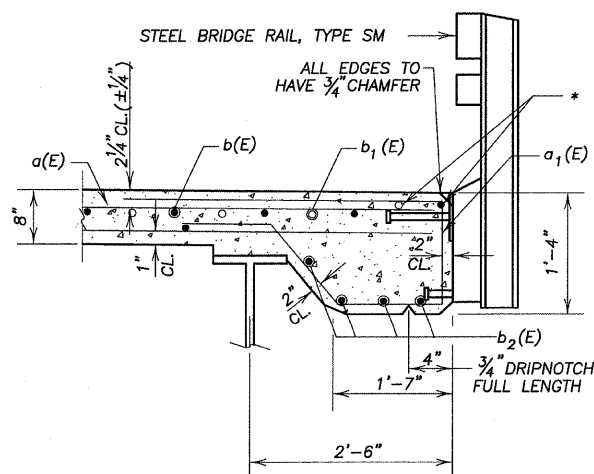


PLAN

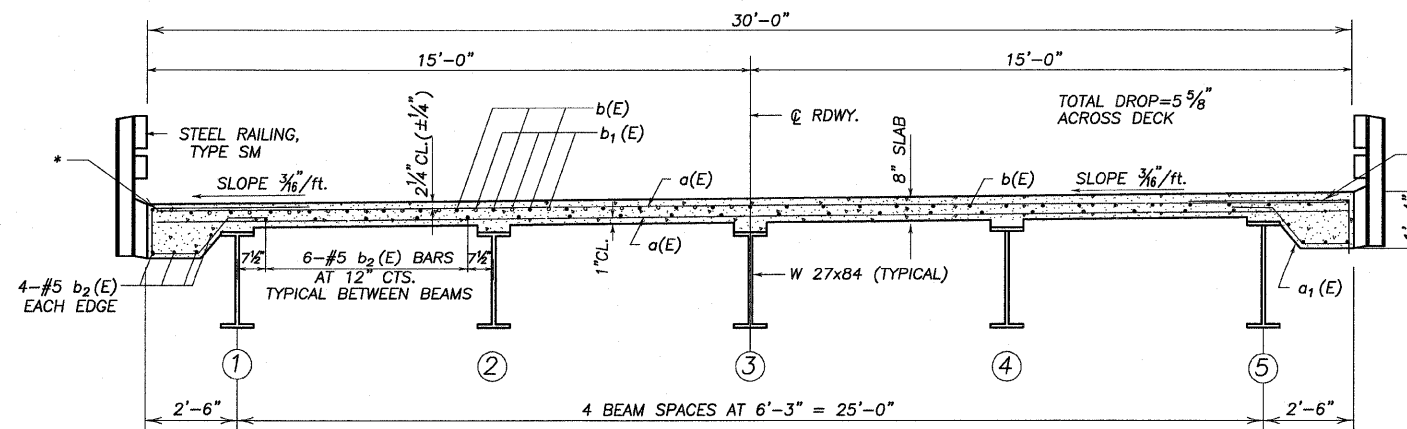
* NOTE: REINFORCEMENT BARS IN THE TOP OF THE DECK MAY BE PLACED WITH A 1 1/2" MINIMUM CLEARANCE IN THE AREA OF THE RAIL POST ANCHOR DEVICES. THE STUDS OF THE ANCHOR DEVICES SHALL BE POSITIONED BELOW THE TOP REINFORCEMENT BARS AND THE OUTERMOST LONGITUDINAL REINFORCEMENT BARS (b(E) AND b₁(E) BARS) SHALL BE PLACED DIRECTLY ABOVE THE STUDS OF THE RAIL POST ANCHOR DEVICE.

MIN. LAP

#5 2'-2"
#6 2'-7"



SECTION THRU EDGE OF SLAB



CROSS SECTION
(LOOKING EAST)

SUPERSTRUCTURE
SECTION 01-09114-00-BR
NORTH GROVE ROAD
DEKALB COUNTY
S.N. 019-4409