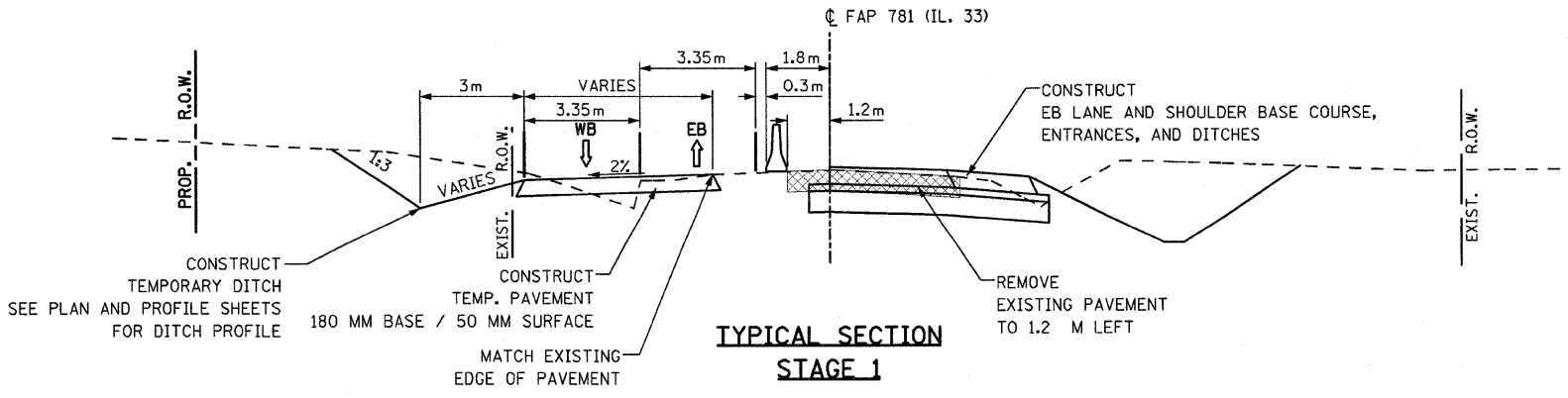
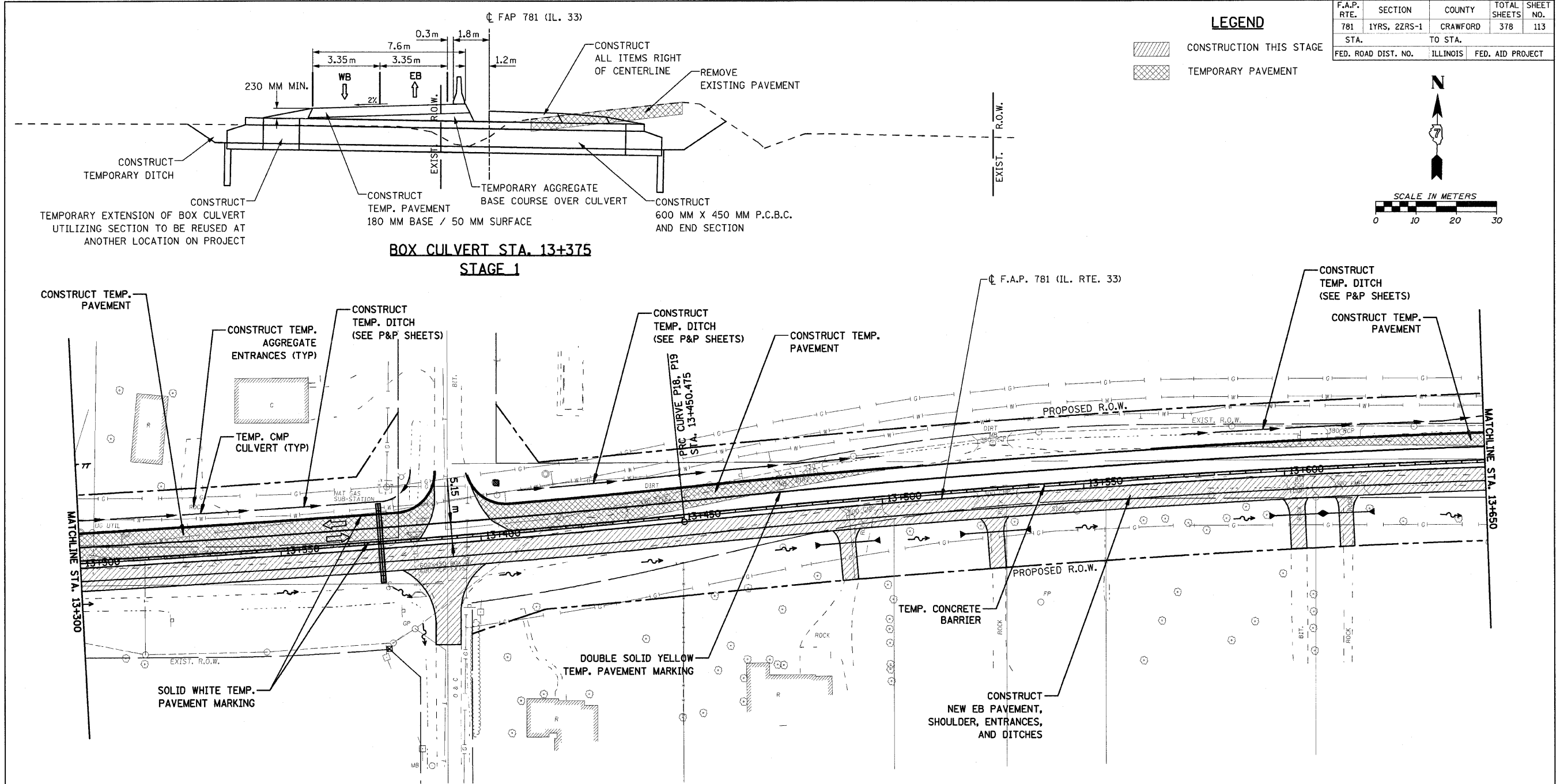
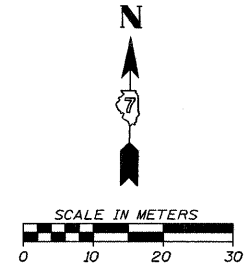


F.A.P. RTE.	SECTION	COUNTY	TOTAL SHEETS	SHEET NO.
781	1YRS, 2ZRS-1	CRAWFORD	378	113
STA. TO STA.		ILLINOIS FED. AID PROJECT		
FED. ROAD DIST. NO.		FED. AID PROJECT		

LEGEND

- CONSTRUCTION THIS STAGE
- TEMPORARY PAVEMENT



STAGING NOTES:

1. CONSTRUCT TEMPORARY AGGREGATE ENTRANCES WITH CMP CULVERTS AS NEEDED TO MAINTAIN ACCESS.
2. TWO-WAY / TWO-LANE TRAFFIC SHALL BE RESTORED AT THE END OF THE WORK DAY. TWO-WAY / ONE-LANE TRAFFIC SHALL BE USED ON A LIMITED BASIS, WHEN REQUIRED, UTILIZING THE APPROPRIATE STANDARD.
3. FINAL HMA SURFACE COURSE SHALL BE PLACED THROUGHOUT THE PROJECT LIMITS AS A SEPARATE STAGE.

PLOT DATE = 7/28/2008
FILE NAME = H:\4420\Final\Plans\Drawings\794533\SH1_113_stage1_2.dgn

HMG JOB NO. 4420