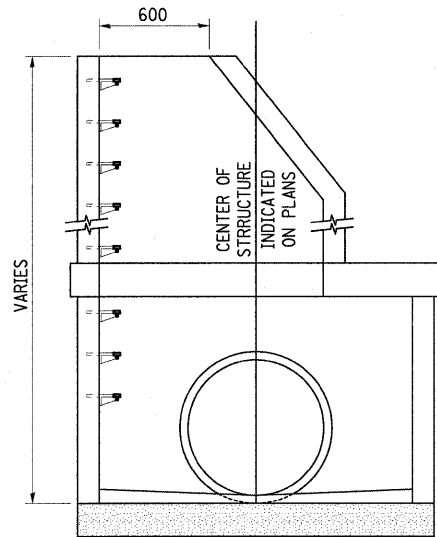


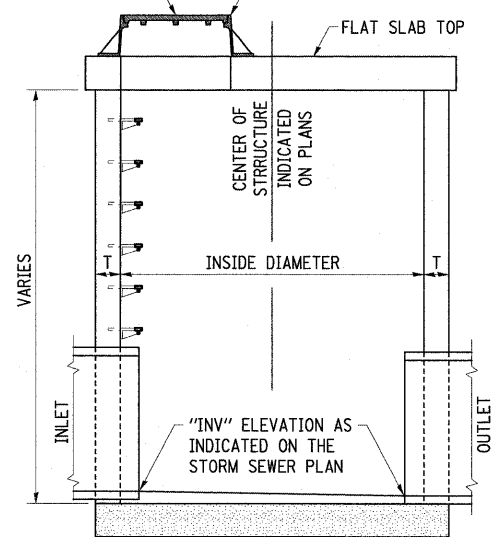
F.A.P. RTE.	SECTION	COUNTY	TOTAL SHEETS	SHEET NO.
781	1YRS, 2ZRS-1	CRAWFORD	378	136
STA.	TO STA.			
FED. ROAD DIST. NO.	ILLINOIS	FED. AID PROJECT		

IF DEPTH PERMITS, CONTRACTOR HAS THE OPTION TO USE A CORBELED MANHOLE, TYPE A AS A "RESTRICTED DEPTH MANHOLE" AS SHOWN HERE



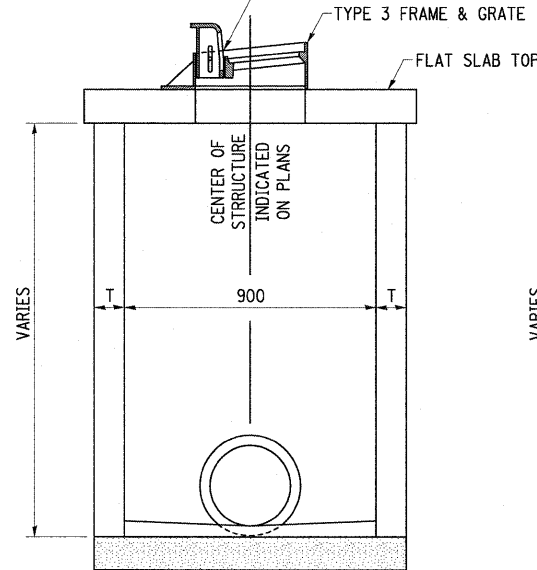
RESTRICTED DEPTH MANHOLE

"TOP" ELEVATION AS INDICATED ON THE STORM SEWER PLAN



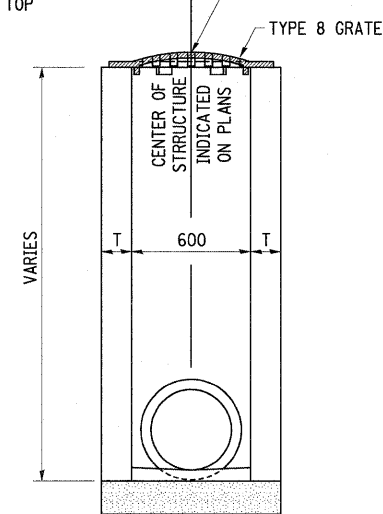
TYPE B INLET

"GRATE" ELEVATION AS INDICATED ON THE STORM SEWER PLAN



TYPE A INLET

"TOP" ELEVATION AS INDICATED ON THE STORM SEWER PLAN

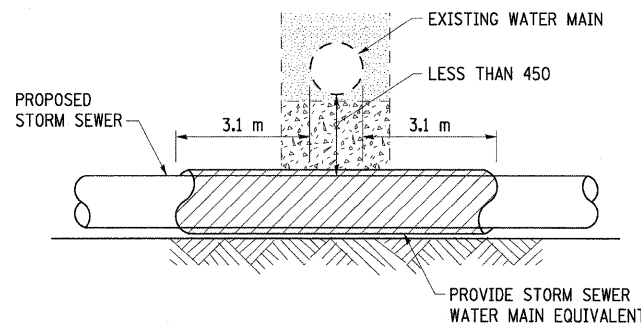


STORM SEWER CONSTRUCTION NOTES

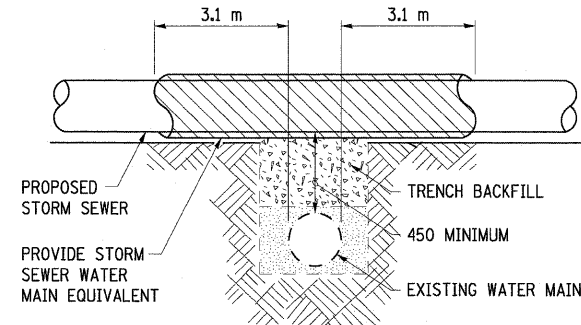
- BEFORE ORDERING PIPE CULVERTS, PIPE DRAINS, MANHOLES, INLETS, STORM SEWERS OR OTHER DRAINAGE STRUCTURES, THE CONTRACTOR SHALL CONSULT WITH THE ENGINEER FOR EXACT LENGTHS, DIMENSIONS, INVERTS AND ALIGNMENTS AND SUBMIT REQUIRED SHOP DRAWINGS.
- CARE SHOULD BE EXERCISED IN CONSTRUCTION OF MANHOLE STRUCTURES TO BE LOCATED UNDER PERMANENT SURFACES DUE TO MINOR ELEVATION ADJUSTMENTS IN THE FIELD. THE CONTRACTOR IS ADVISED TO CAST STRUCTURES TO ACCOMMODATE SUCH MINOR ADJUSTMENTS. USE OF ADJUSTING RINGS IS RECOMMENDED.
- NOTE THAT ALL OF THE TYPE B INLETS REQUIRE FLAT SLAB TOPS WITH THE CENTER OF THE 2' OPENING ALIGNED WITH THE CENTER OF THE STRUCTURE.
- "RESTRICTED DEPTH MANHOLES", OF THE DIAMETER SPECIFIED, REFER TO 4', 5', 6' OR 8' DIAMETER MANHOLES REQUIRING FLAT SLAB TOPS AND A 2' I.D. RISER OF VARYING DEPTH IF THE OVERALL DEPTH WILL ALLOW FOR A RISER.
- THE STATION AND OFFSET SHOWN ON THE STORM SEWER PLAN IS FOR THE LOCATION OF THE CENTER OF THE STRUCTURE. THIS IS NOT NECESSARILY THE CENTER OF THE 600mm OPENING. REFER TO THE STRUCTURE OFFSET DETAIL SHEETS FOR THE EXACT LAYOUT.

STRUCTURE POINT-OF-GRADE DETAILS

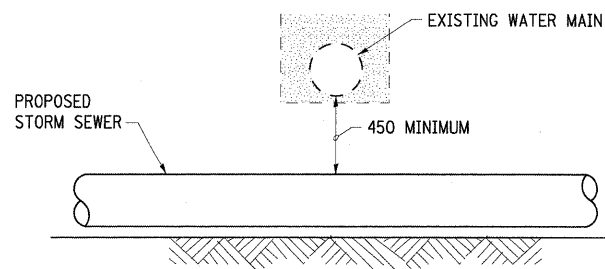
POINT LOADS SHALL NOT BE ALLOWED BETWEEN SEWER OR SEWER CASING AND WATER MAIN
 PROVIDE ADEQUATE SUPPORT FOR EXISTING WATER MAIN TO PREVENT DAMAGE DUE TO SETTLEMENT OF SEWER TRENCH



PROVIDE ADEQUATE SUPPORT FOR EXISTING WATER MAIN TO PREVENT DAMAGE DUE TO SETTLEMENT OF SEWER TRENCH

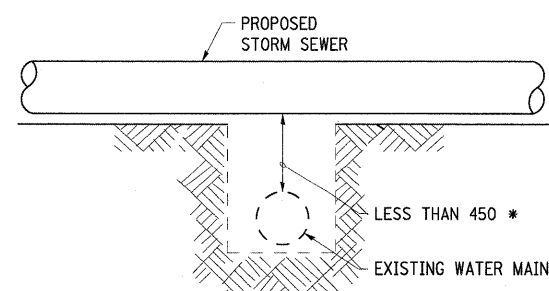


POINT LOADS SHALL NOT BE ALLOWED BETWEEN SEWER OR SEWER CASING AND WATER MAIN
 PROVIDE ADEQUATE SUPPORT FOR EXISTING WATER MAIN TO PREVENT DAMAGE DUE TO SETTLEMENT OF SEWER TRENCH



PROPOSED SEWER LINE BELOW EXISTING WATER MAIN

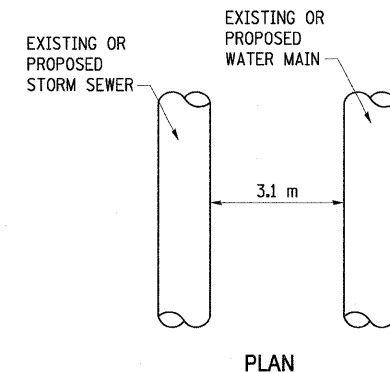
PLACEMENT OF OR EXISTING WATER MAIN BELOW EXISTING OR PROPOSED SEWER LINE WITH LESS THAN 18" MINIMUM VERTICAL SEPARATION NOT ALLOWED.



* NOT ALLOWED. MUST MAINTAIN 18" VERTICAL SEPARATION

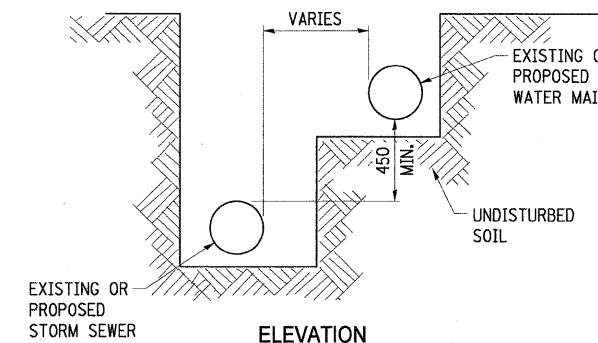
PROPOSED SEWER LINE ABOVE EXISTING WATER MAIN

WHEN PROPOSED SEWER (OR WATER) IS LOCATED 3.1 m OR MORE FROM EXISTING WATER (OR SEWER) NO SPECIAL CONSTRUCTION IS REQUIRED



PLAN

WHEN PROPOSED SEWER (OR WATER) IS LOCATED LESS THAN 3.1 m FROM EXISTING WATER (OR SEWER), THE DETAILS TO THE LEFT SHALL APPLY



ELEVATION

WATER AND SEWER HORIZONTAL SEPARATION REQUIREMENTS

ALL DIMENSIONS ARE IN MILLIMETERS UNLESS OTHERWISE SHOWN.

REVISIONS	
NAME	DATE

ILLINOIS DEPARTMENT OF TRANSPORTATION

STORM SEWER DETAILS

SCALE NO SCALE
 DATE APRIL 18, 2008
 DRAWN BY EDW
 CHECKED BY RGH