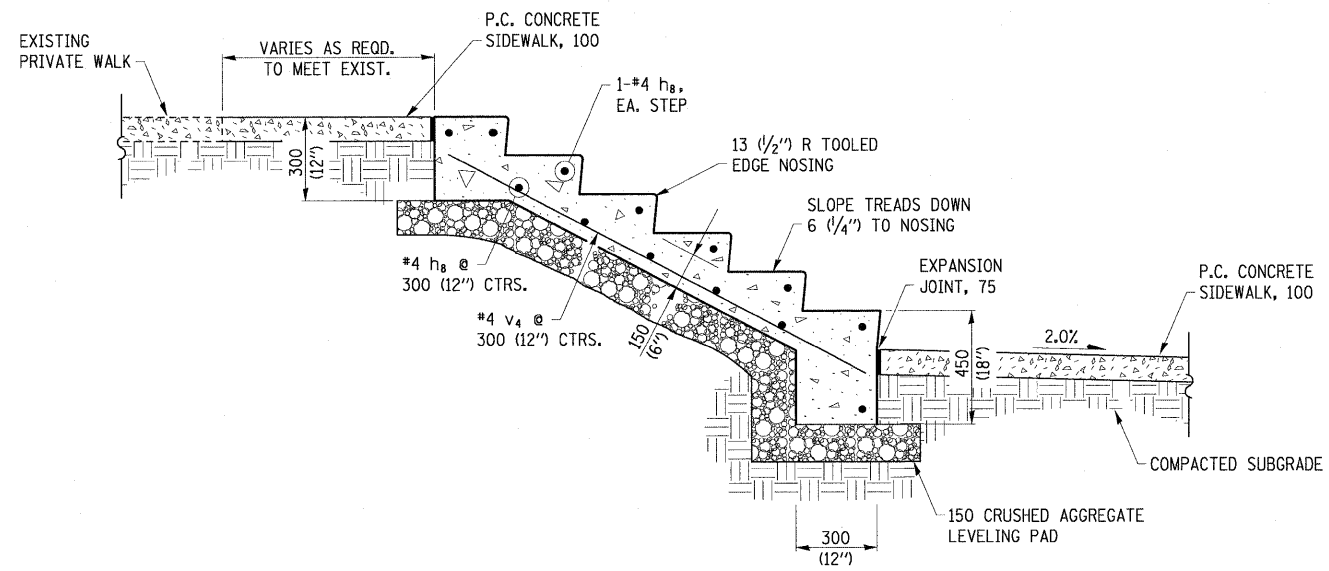


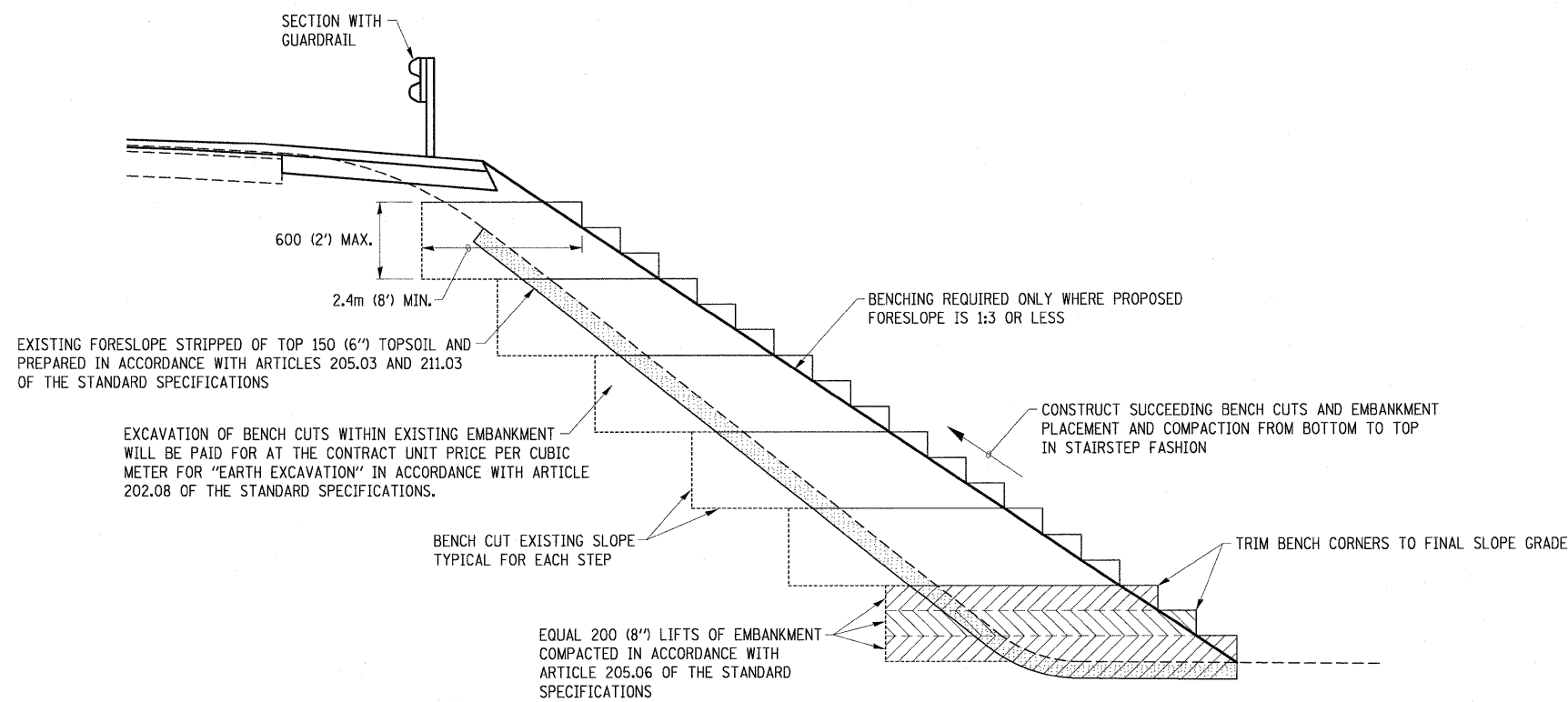
F.A.P. RTE.	SECTION	COUNTY	TOTAL SHEETS	SHEET NO.
781	1YRS, 2ZRS-1	CRAWFORD	378	172
STA.		TO STA.		
FED. ROAD DIST. NO.		ILLINOIS	FED. AID PROJECT	

NOTES

1. CONCRETE STEPS ARE TO BE PROVIDED AT LOCATIONS SHOWN ON THE PLANS OR AS DESIGNATED BY THE ENGINEER WHERE THE ELEVATION DIFFERENCE BETWEEN THE BACK OF PROPOSED SIDEWALK AND PRIVATE WALK IS GREATER THAN 125 (5') IN 1.5m (5').
2. CONCRETE STEPS SHALL BE 1.2m (4') WIDE.
3. THE NUMBER OF CONCRETE STEPS SHALL SUIT THE INDIVIDUAL CONDITIONS, WITH TREAD AND RISER DIMENSIONS TO SUIT THE GRADE DIFFERENCE.
4. STEP RISER HEIGHTS SHALL BE A MINIMUM OF 125 (5") AND A MAXIMUM OF 178 (7") AND UNIFORM PER EACH SET OF STEPS. STEP TREAD WIDTHS SHALL BE A MINIMUM OF 279 (11") AND A MAXIMUM OF 300 (12") AND UNIFORM PER EACH SET OF STEPS.
5. THE COST OF THE CONCRETE STEPS SHALL BE PAID FOR AT THE CONTRACT UNIT PRICE PER CUBIC METER FOR CLASS MS CONCRETE. AN ESTIMATED QUANTITY IS PROVIDED IN THE SUMMARY OF QUANTITY SHEETS, BUT ACTUAL FIELD CONDITIONS MAY VARY, THUS INCREASING OR REDUCING THE QUANTITY PROVIDED.
6. THE REINFORCEMENT BARS AND CRUSHED AGGREGATE LEVELING PAD MATERIAL WILL NOT BE PAID FOR SEPARATELY. THE COST FOR THESE ITEMS SHALL BE INCLUDED IN THE COST OF CLASS MS CONCRETE.
7. THE REMOVAL OF ANY EXISTING STEPS AND/OR PRIVATE WALK BEHIND THE RIGHT-OF-WAY LINE SHALL BE PAID FOR AT THE CONTRACT UNIT PRICE PER SQUARE METER FOR SIDEWALK REMOVAL.



CONCRETE STEPS DETAIL



TYPICAL BENCHING DETAIL FOR EMBANKMENTS

REVISIONS		ILLINOIS DEPARTMENT OF TRANSPORTATION
NAME	DATE	
		<p align="center">CONCRETE STEPS AND EMBANKMENT BENCHING DETAILS</p> <p>SCALE NO SCALE DRAWN BY KOJ</p> <p>DATE MARCH 20, 2008 CHECKED BY RGH</p>

PLOT DATE = 3/20/2008
FILE NAME = H:\4420\7810169_detailed.dgn

H. M. & G. NO. 4420