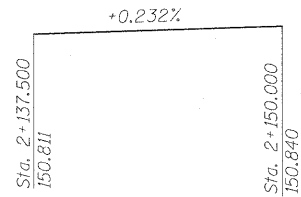
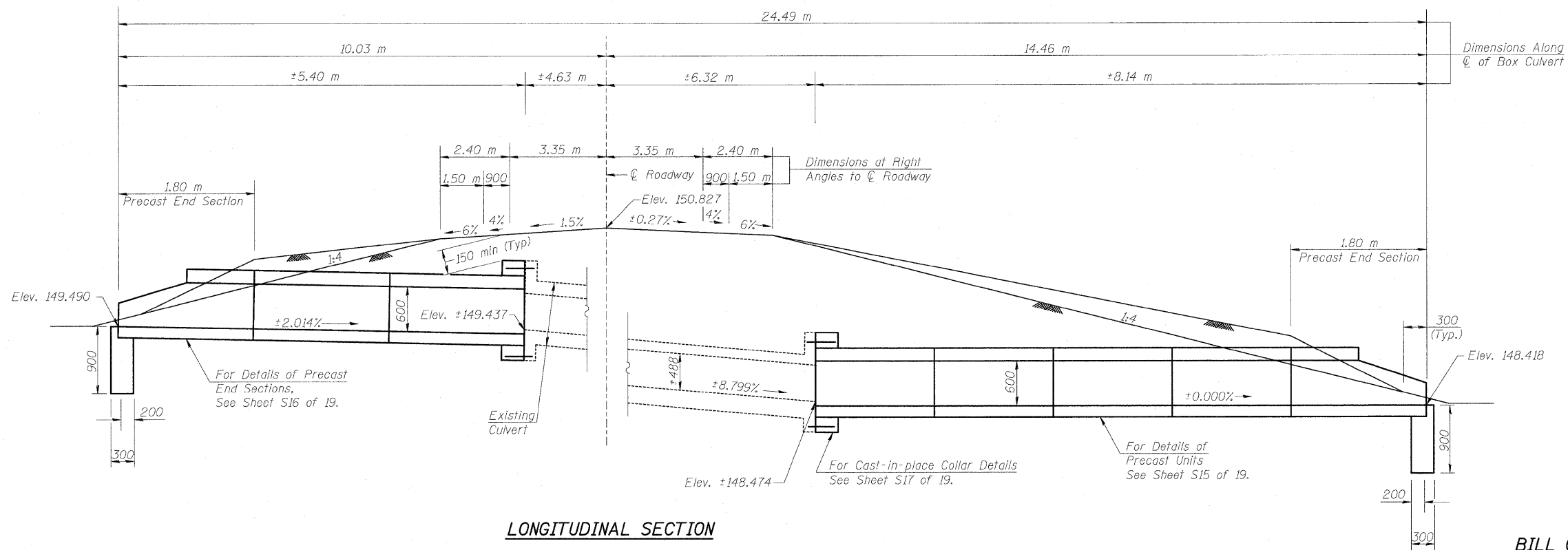


CONTRACT NO.				
F.A.P. RTE.	SECTION	COUNTY	TOTAL SHEETS	SHEET NO.
781	1YRS, 2ZRS-1	CRAWFORD	378	184
STA.		TO STA.		
FED. ROAD DIST. NO.		ILLINOIS	FED. AID PROJECT	

Existing Structure: The structure is a single barrel 610 mm x 488 mm box culvert at a skew of 0°49'55" right forward. The culvert has an overall length of 10.95 m. The contractor shall extend the culvert on each end for the dimensions shown.



**PROFILE GRADE**

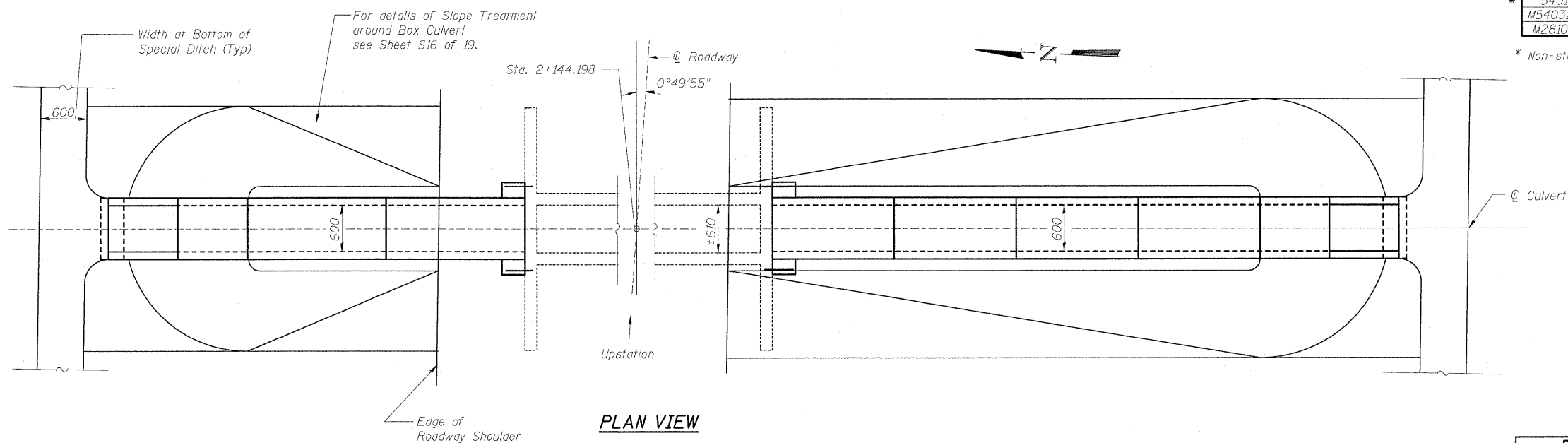
**CURVE P2 DATA**

PI Sta. 2+006.106  
 $\Delta = 41^\circ 59' 15''$  (LT)  
 T = 118.158 m  
 R = 307.912 m  
 L = 225.644 m  
 E = 21.893 m  
 S.E. = 6.0%  
 PC Sta. 1+887.948  
 PT Sta. 2+113.592  
 Attain S.E. Sta. 1+847.948 to 1+901.948  
 And Sta. 2+099.592 to 2+153.592

**BILL OF MATERIAL - BOX CULVERT NO. 4**

Item	Unit	Total
M5030350 Concrete Structures	cu. m.	0.5
M5080205 Reinforcement Bars, Epoxy Coated	kg	100
M5401005 Precast Concrete Box Culvert (600x600)	m	9.9
* 5401004 Box Culvert End Section, Culvert No. 4	Each	2
M5403220 Expansion Bolts (M20x250)	Each	24
M2810707 Stone Riprap, Class A4	sq. m.	See Plans

\* Non-standard size.



**PLAN VIEW**

PLOT DATE = 3/20/2008  
 FILE NAME = H:\4428\4428.5 Lin Eng\design\files 12-18-2006\S-03.dgn

REVISIONS		ILLINOIS DEPARTMENT OF TRANSPORTATION BOX CULVERT EXTENSIONS GENERAL PLAN & ELEVATION BOX CULV. NO. 4, STA. 2+144.198
NAME	DATE	
		SCALE NONE DATE DECEMBER 10, 2006 DRAWN BY MLB CHECKED BY MTH