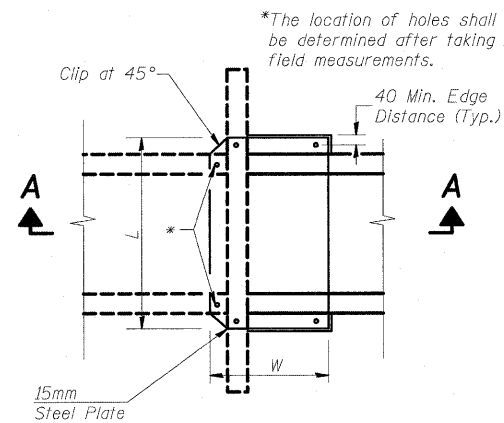


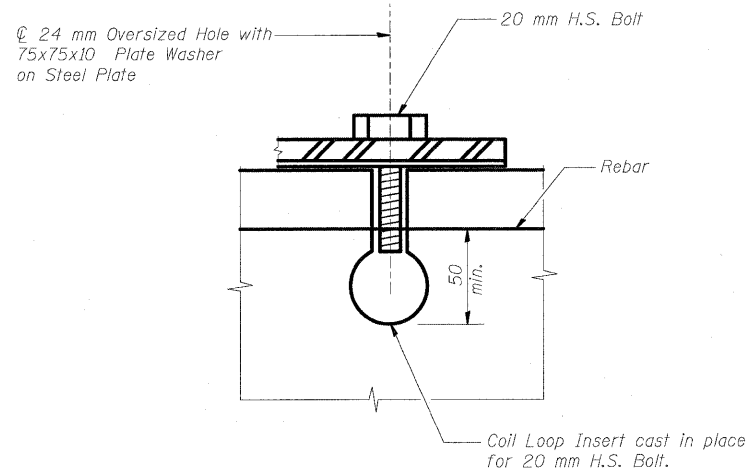
CONTRACT NO.				
F.A.P. RTE.	SECTION	COUNTY	TOTAL SHEETS	SHEET NO.
781	1YRS, 2ZRS-1	CRAWFORD	378	199
STA.		TO STA.		
FED. ROAD DIST. NO.		ILLINOIS	FED. AID PROJECT	



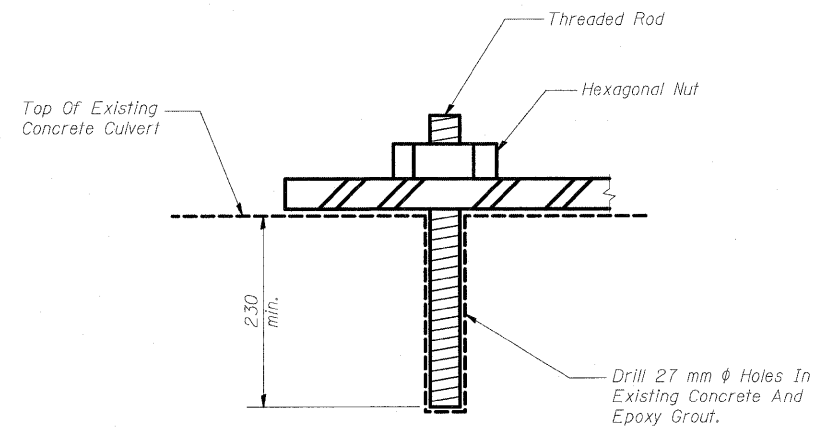
**PLAN  
DETAIL OF STEEL PLATE  
ATTACHMENT**

Box No.	Location	Size L x W
1	Upstream Collar	1500 x 700 **
4	Downstream Collar	1500 x 700 **

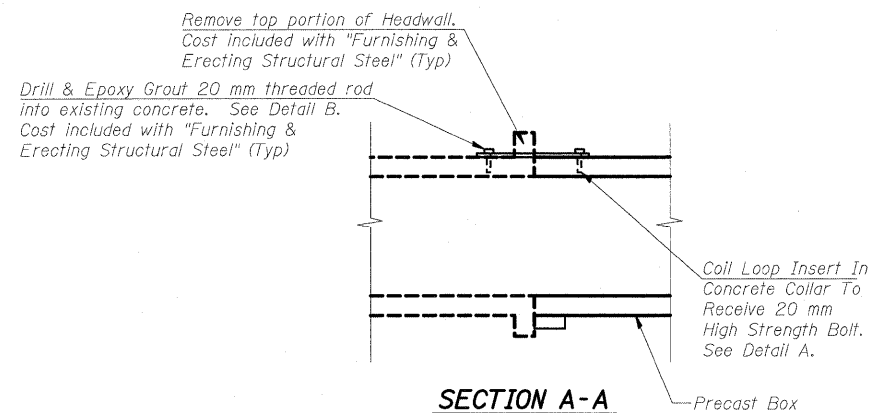
\*\*Contractor to verify dimensions based on actual culvert size provided by the fabricator.



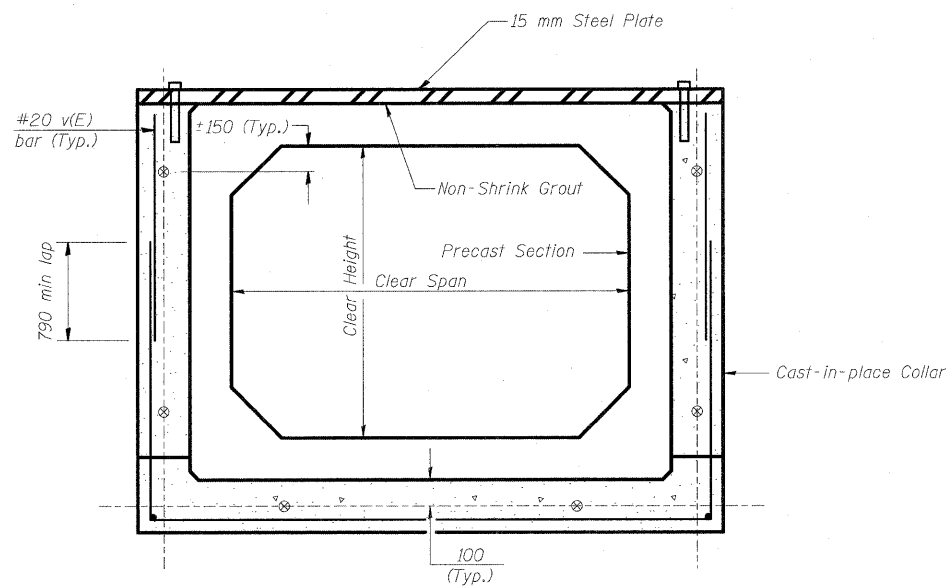
**DETAIL A**



**DETAIL B**



**SECTION A-A**



**MODIFIED COLLAR DETAIL WITH  
STEEL PLATE AT TOP**

See Sheet S17 of 19 for Collar Details and Reinforcement Bar List.

**NOTES**

The Steel Plate & Hardware shall be Galvanized in accordance with AASHTO M232, AASHTO M111 and ASTM A385.

SHEET S18 OF 19

REVISIONS		ILLINOIS DEPARTMENT OF TRANSPORTATION BOX CULVERT EXTENSIONS MISCELLANEOUS DETAILS
NAME	DATE	
		SCALE NONE DATE DECEMBER 10, 2006 DRAWN BY MLB CHECKED BY MTH

PLOT DATE = 3/20/2009  
FILE NAME = H:\4420\44205 (Lin Eng)\design\_files\12-18-2006\18.dgn

LIN NO. 9803