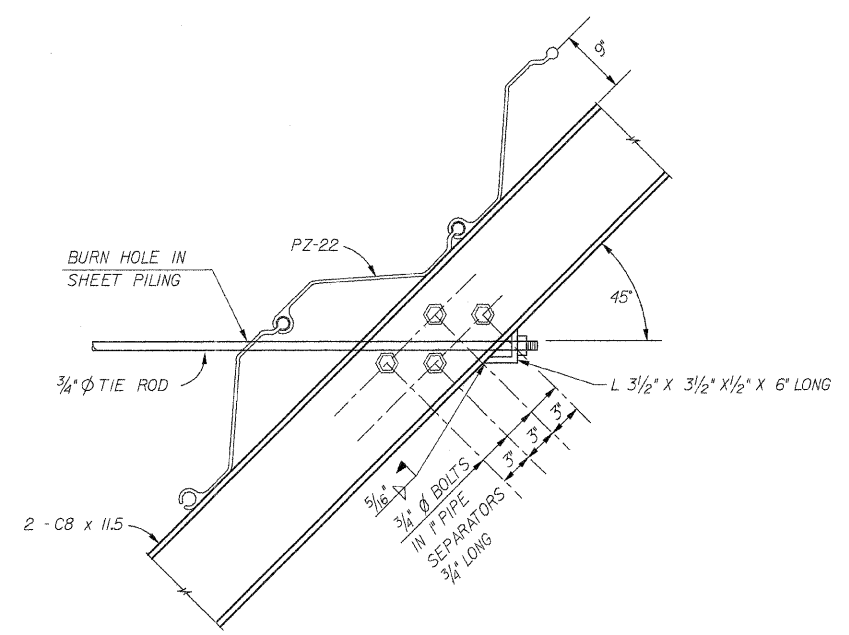
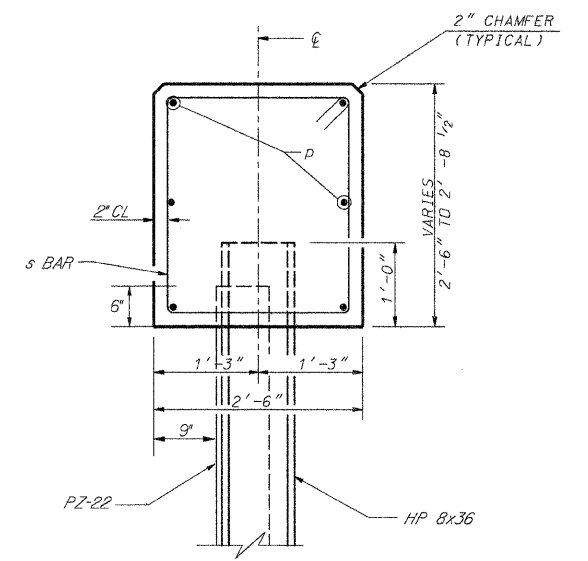


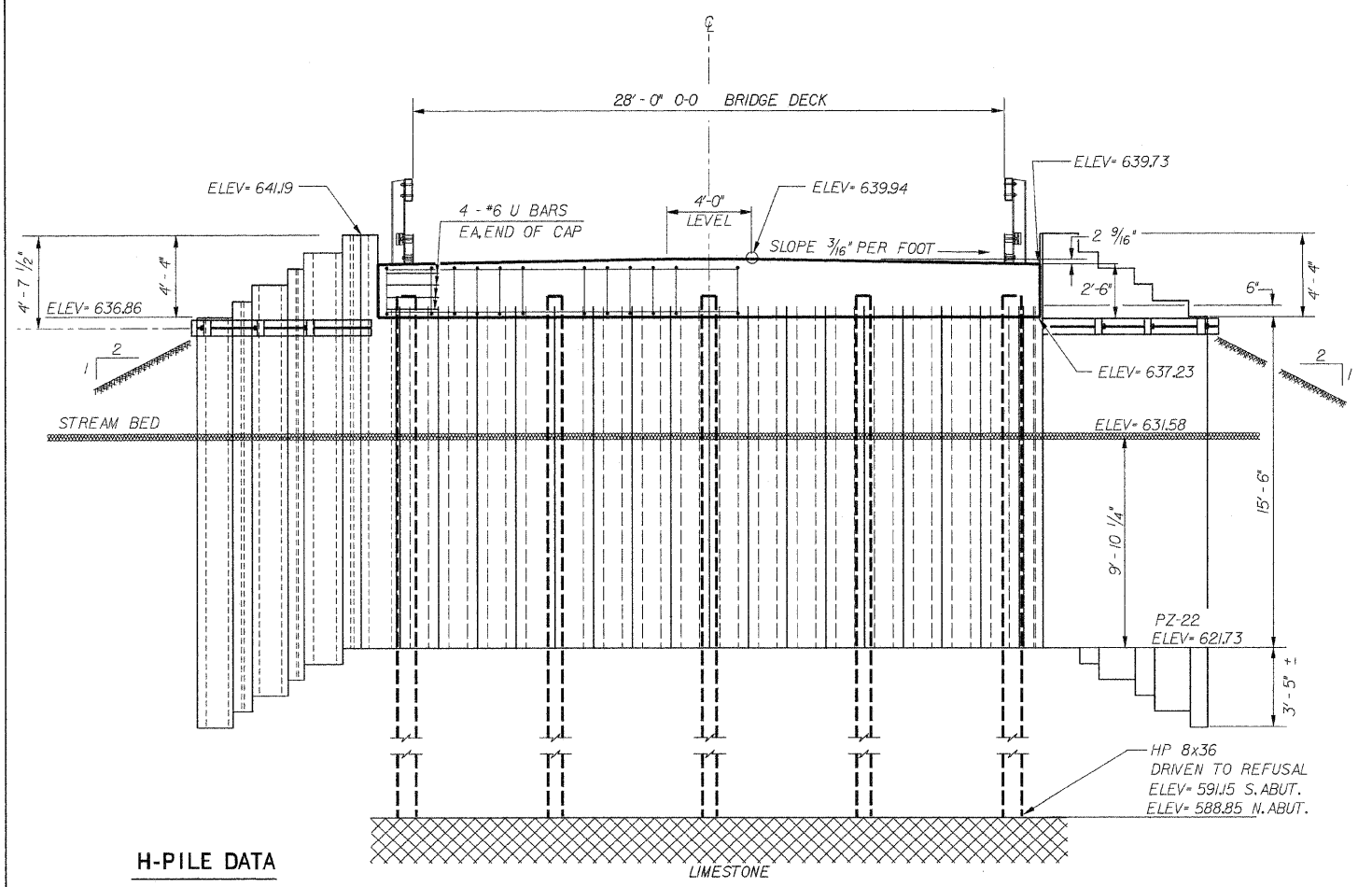
PLAN VIEW



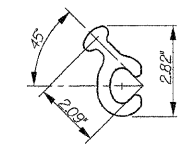
DETAIL A



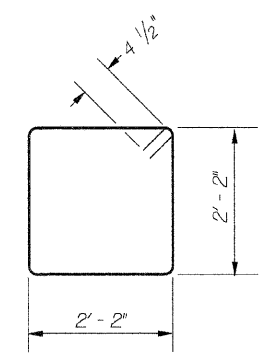
SECTION B - B



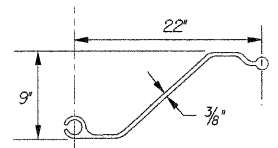
ELEVATION VIEW



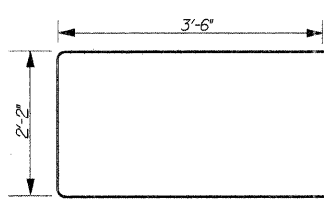
CORNER DETAIL



BAR S



PZ 22 DETAIL



BAR U

BILL OF MATERIAL

TWO ABUTMENTS

ITEM	UNIT	QUANTITY
CONCRETE STRUCTURES	CU.YD	15.2
REINFORCEMENT BARS	POUND	960
PERMANENT STEEL SHEET PILING	SQUARE FOOT	1976
DRIVING PILES	FOOT	450
TEST PILES, STEEL HP 8x36	EACH	1
HARDWARE	POUND	1584
FURN. STEEL PILES HP 8x36	FOOT	450

BAR LIST

TWO ABUTMENTS

BAR	NO.	SIZE	LENGTH	SHAPE
P	12	#6	31'-0"	—
U	16	#6	9'-2"	U
S	44	#4	6'-1"	□

GENERAL NOTES

ABUTMENT BREAST WALL SHEET PILING AND WING WALL SHEET PILING SHALL BE SHAPE PZ 22 WHICH WEIGHS 40.3 POUNDS PER LINEAL FOOT OF PILE AND HAS A SECTION MODULUS OF 33.1 CUBIC INCHES PER PILE.

ABUTMENT CORNER SHEET PILE SHALL BE COLT CORNER PILE AS SHOWN ON THE PLANS AND WHICH WEIGHS 6.9 POUNDS PER LINEAL FOOT OF PILE.

ESTIMATED LENGTHS FOR ALL SHEET PILING ARE SHOWN ON THE PLANS. TEST PILES WILL NOT BE UTILIZED TO ORDER SHEET PILING.

BREAST WALL PILING, WING WALL AND CORNER PILE SHALL BE DRIVEN TO THE PENETRATION DEPTH SHOWN ON THE PLANS.

PILING SHALL COMPLY WITH THE APPLICABLE PORTIONS OF SECTION 512.512.05, 512.07 & 1006.05 (c) OF THE STANDARD SPECIFICATIONS EXCEPT THAT PAINTING WILL NOT BE REQUIRED.

H-PILE DATA

TYPE	HP 8 X 36
NO. REQUIRED	10 X
ALLOWABLE RESISTANCE AVAILABLE	94 KIPS/PILE
NOMINAL REQUIRED BEARING	282 KIPS/PILE
EST. LENGTH	50'/PILE NORTH & SOUTH ABUTMENT

NOTES:

STEEL H-PILES SHALL BE ACCORDING TO AASHTO M270 GRADE 50

THE TEST PILE SHALL BE DRIVEN TO 100 PERCENT OF THE NOMINAL REQUIRED BEARING INDICATED IN THE PILE DATA INFORMATION.

* INCLUDES ONE TEST PILE TO BE DRIVEN IN A PERMANENT LOCATION IN THE NORTH ABUTMENT.

ABUTMENT DETAILS

SECTION 06-03123-00-BR
EAST OAKLAND TOWNSHIP
COLES COUNTY

McCLINTOCK
CIVIL ENGINEERING SERVICE
404 SHAW AVENUE, PARIS, ILL. 61944
PHONE (217) 466-6110

DRN SDE DATE 6/5/08 SHEET 6 OF 13
REV. 6/23/08 SCALE 1" = 4'
APPR.

JOB NO. 3137-729-06