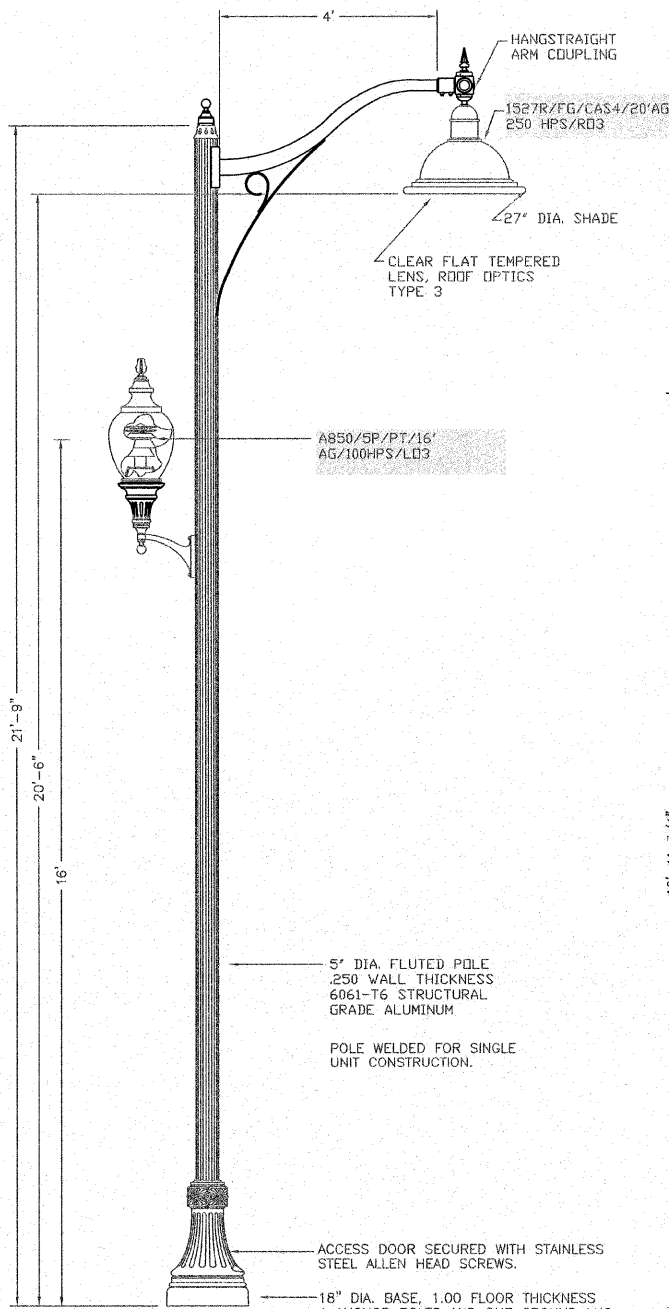
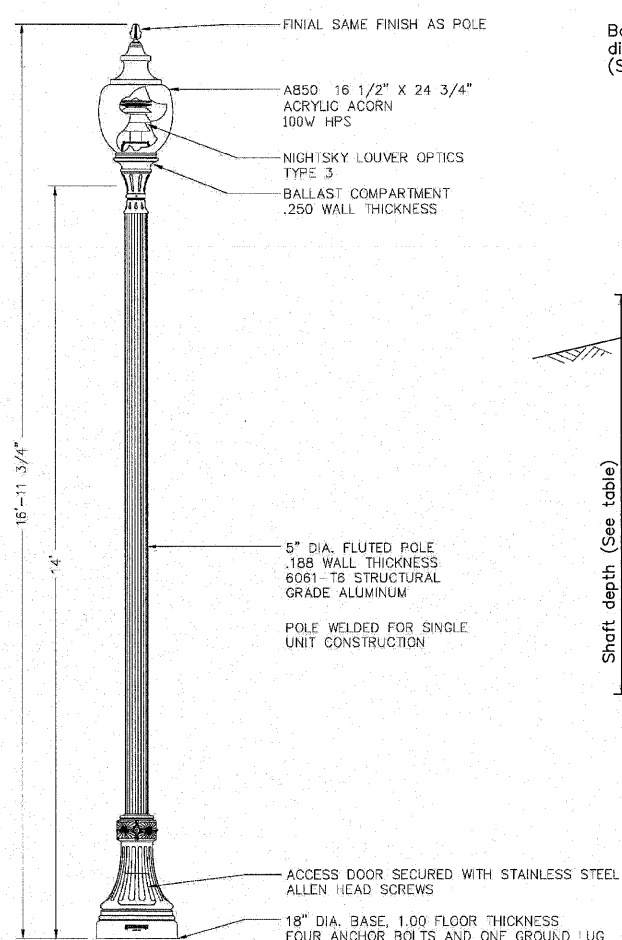


LIGHT POLE MOUNTING HEIGHT	STEEL FOUNDATION			CONCRETE FOUNDATION			
	BOLT CIRCLE DIAMETER	SHAFT DIAMETER	SHAFT DEPTH	TOP PLATE (min)	SHAFT DIAMETER	SHAFT DEPTH	ANCHOR ROD LENGTH①
<9.1 m (30')	292 (11.5)	220 (8 3/4)	1.83 m (6')	300 x 300 x 25 12 x 12 x 1	610 (24)	1.52 m (5'-0")	1.45 m (4'-9")
9.4 m - 10.7 m (31'-35')	292 (11.5)	220 (8 3/4)	1.83 m (6')	300 x 300 x 25 12 x 12 x 1	610 (24)	1.67 m (5'-6")	1.60 m (5'-3")
10.9 m - 12.2 m (36'-40')	381 (15) ③	220 (8 3/4)	1.83 m (6') ②	375 x 375 x 31 15 x 15 x 1 1/4	762 (30)	1.83 m (6'-0")	1.75 m (5'-9")
12.5 m - 13.7 m (41'-45')	381 (15) ③	220 (8 3/4)	1.83 m (6') ②	375 x 375 x 31 15 x 15 x 1 1/4	762 (30)	1.98 m (6'-6")	1.90 m (6'-3")
14.0 m - 15.2 m (46'-50')	381 (15) ③	220 (8 3/4)	2.44 m (8')	375 x 375 x 31 15 x 15 x 1 1/4	762 (30)	2.13m (7'-0")	2.00 m (6'-9")

- ① Length does not include 100(4) hook
- ② 220 mm x 2.44 m (8 5/8" x 8'-0") for Twin luminaires
- ③ Bolt circle diam. shall be 430(17) when a TB3-17 transformer base is used

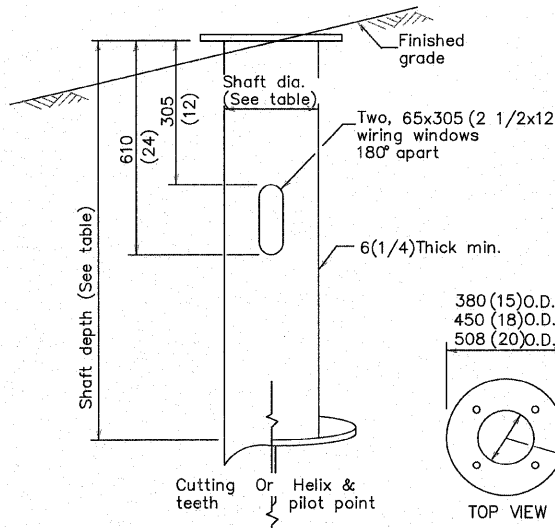
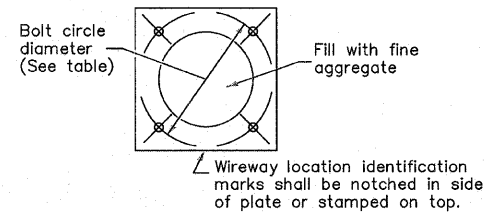


STREET & SIDEWALK LIGHT "OR APPROVED EQUAL"

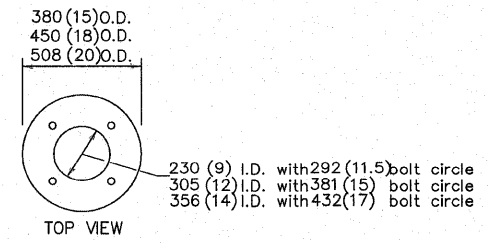


SIDEWALK LIGHT "OR APPROVED EQUAL"

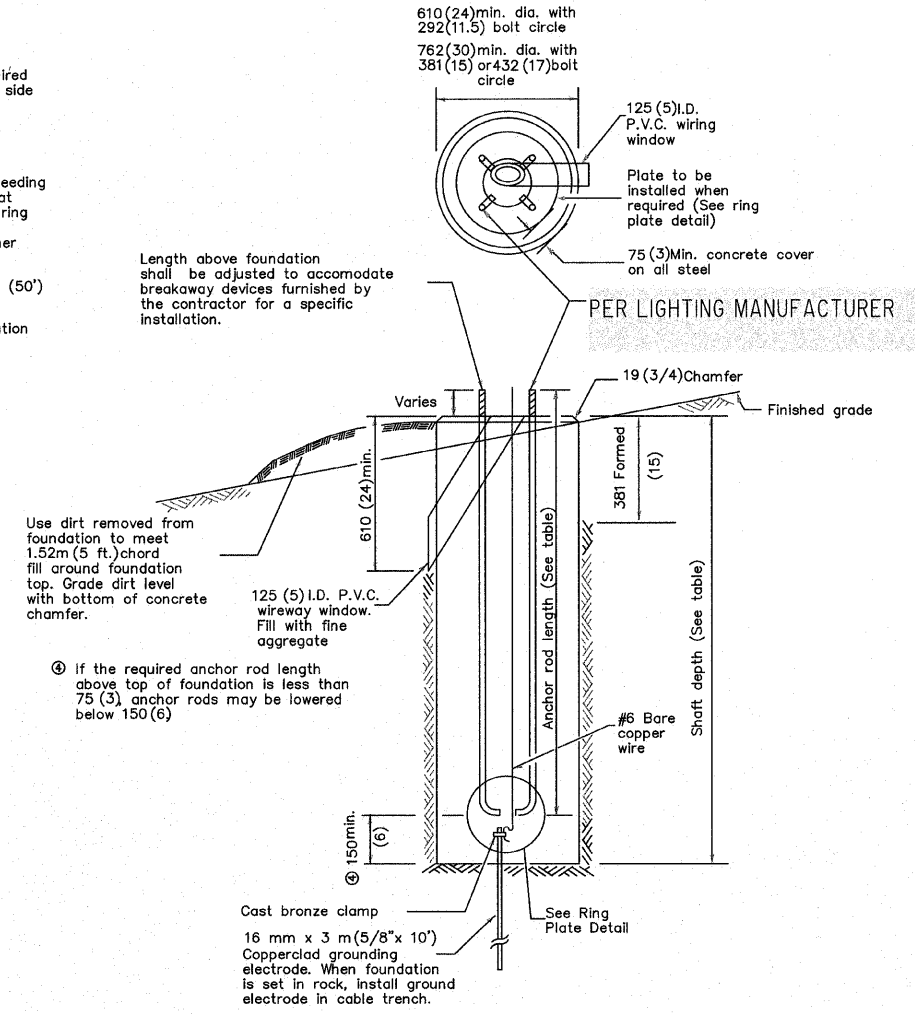
- Notes:
- Wireway may be on front, back or side of foundation as required by the trenching. Place door of transformer base on wireway side to minimize the number of unit duct bends.
  - Top of schedule 40 125(5) I.D. PVC wiring window, shall be flush with the top of foundation for drainage.
  - All foundations are designed to be located on slopes not exceeding 2:1 where soils have an unconfined compressive strength of at least 1.0 TSF. The contractor shall verify the soil strength during drilling for concrete foundations or by monitoring installation resistance on steel foundations and notify the engineer if other conditions are encountered.
  - Anchor rod shall be increased to 31 (1 1/4) diameter for 15.24 (50') mounting height or above.
  - TB3-17 transformer base is not to be used on metal foundation



STEEL FOUNDATION



RING PLATE DETAIL  
(When rock is encountered and foundation is shallower)



CONCRETE FOUNDATION

**M**  
ENGINEERING  
**G**

MLANO & GRUNLOH ENGINEERS, LLC  
84 WEST WASHINGTON  
P.O. BOX 897  
EFFINGHAM, ILLINOIS 62401  
Phone: (617) 347-7282  
(800) 677-2714  
(217) 345-3433  
Fax: #  
Web Address: www.mgeengineers.com  
Design Firm # 184-003108  
File name: S:\DWG\06\06244.dwg/Lighting Detail.dwg  
Plot date: 09/13/07 at 16:00

LIGHT POLE DETAIL AND FOUNDATION SHEET  
SIDEWALK ENHANCEMENT  
CITY OF SULLIVAN  
SECTION 06-00032-00-SW  
MOULTRIE COUNTY, ILLINOIS